

2025 PARTS AND SALES CATALOG



Spray Advantage

“EVERYTHING YOU NEED FOR FERTILIZER AND CHEMICAL APPLICATION”



Local: 701-775-8089 Fax: 701-775-8217

Toll Free: 866-775-8089

www.sprayadvantage.com

TERMS & CONDITIONS

Special Information You Need to Know...

Defective Material: Our liability is limited to the value of the defective materials.

- * Claims for damaged or expenses resulting from the use of any product furnished by or through Spray Advantage are not allowed.
- * Parts furnished to Spray Advantage by other manufacturers for resale or assembly by the company is subject to the warranty of the manufacturer.
- * Warranty claims will be processed by Spray Advantage under that suppliers company's warranty when items are returned to Spray Advantage.
- * Freight charges are not covered under warranty policies.

Returned Items: If for any reason a return is necessary, please advise Spray Advantage in advance for the reason of the return.

***Returned goods must be in salable condition and be accompanied by an invoice or sales order.**

***Merchandise must be returned within 15 days or a restocking charge may be imposed.**

We reserve the right to treat any returns as store credit only.

*** NON-STOCK or SPECIAL ORDER items are NONRETURNABLE.**

*** NO RETURNS OF ANY CUT LENGTH OF HOSE.**

*** 20% RESTOCKING FEE ON ALL ELECTRICAL COMPONENTS.**

*** NO RETURNS AFTER 30 DAYS.**

Credit and Billing: Orders will ship on open account for customers that have prior approved credit status. All invoices 30 days past due will be subject to a service charge of 1-1/2% per month (18% Annual) on the unpaid balance until final payment is received.

All checks written in payment of merchandise must be made payable to Spray Advantage.

Credit for returns will be applied to original invoice and then to oldest open invoice.

Overpayment will be applied to oldest open invoice.

Major credit cards are accepted. (VISA, Mastercard, Discover & American Express.)

Taxes: Pricing in catalog does not include state or local tax.

Taxes will be charged unless an up-to-date/completed Certificate of Resale or Certificate of Exemption is on file with Spray Advantage.

Shipping: All prices within this catalog are FOB shipping point. Normally the shipping point is our warehouse, but we reserve the right to ship from other points at our discretion. Shipping charges are the responsibility of the customer. We ship Spee Dee Delivery, UPS and USPS.

*** On all orders received before 3p.m., we will make every effort to ship them same day.**

*** All orders received after 3p.m., will be shipped the next day.**

NOTE: Prices shown in this catalog are current to the best of our knowledge.

However, prices may change at any time without notice or obligation.

PRICES CHARGED WILL BE CURRENT AT THE TIME OF SHIPMENT.

Not responsible for typographical errors.

TABLE OF CONTENTS

CHECK VALVES

PVC CHECK VALVES

CONTROL VALVES

MICRO-TRAK SERVO VALVE
RAVEN CONTROL VALVES

CONVEYORS & AUGERS

HUTCHINSON/MAYRATH

CROPSAVERS

CROPSAVERS

ELECTRONICS

AGCAM REAR VISION SYSTEM
KB CENTER LOAD
KB DRIVER LINX
KB HARVEST MONITOR
KB INJECTION MONITOR
KB START/STOP SWITCH
MICRO-TRAK CUSTOM SYSTEMS
MICRO-TRAK MONITORS
MICRO-TRAK NH3 CONTROLLERS
MICRO-TRAK RATE CONTROLLERS
MICRO-TRAK REPLACEMENT PARTS
MICRO-TRAK ELECTRIC PUMP DRIVE
OVERVIEW REAR VISION SYSTEM
RAVEN CABLES & PARTS
RAVEN CHEMICAL INJECTION
RAVEN CONTROLLERS
TIR CONTROLLER
TEEJET/MIDTECH GPS PRODUCTS
TEEJET CONTROLLERS & PARTS
TEXAS INDUSTRIAL REMCOR
VISION WORKS
WILGER FLOW MONITOR

FIRE NOZZLE

FIRE NOZZLE

FITTINGS

CAM-LEVER COUPLERS ALUMINUM
CAM-LEVER COUPLERS POLY
GARDEN HOSE
MANIFOLD - BANJO
PIPE SEALERS
POLY
PUSH-ON TUBE
SCHEDULE 80 POLY
STAINLESS STEEL
STEEL

FLAGS FIELD MARKING

BIO & COLORED

FLOW METERS

MICRO-TRAK
RAVEN
TEEJET

FOAM MARKERS

FOAM MARKERS & PARTS

FORMULAS

USEFUL FORMULAS & INFO

GAUGES

ANHYDROUS AMMONIA
BACKMOUNT
GLYCERINE FILLED
SPRAYER
GAUGE ADAPTERS
CHEMICAL ISOLATOR

GRAIN CARTS & SEED TENDERS

87 MERIDIAN SEED TENDER
J & M GRAIN CART

HOSE

48 ANHYDROUS AMMONIA
BRAIDED VINYL
CHEMICAL TRANSFER
DISCHARGE
EVA TUBING
LINEAR GAUGE TUBING
PVC SPRAY
RUBBER SPRAY
SIGHT GAUGE
SUCTION

HOSE ACCESSORIES

5 HOSE REELS
7 PLASTIC HOSE CLAMP
8 T-BOLT HOSE CLAMP
7 WORM GEAR HOSE CLAMP

MISCELLANEOUS

31-32 AUTOBATCH METER
35 DRY/LIQUID APPLICATOR
32-34 TILLAGE TOOLS

MICRO-MATIC COUPLERS

46 MACRO VALVE
43-45, 82, 84 DRUM VALVE

NH3

55 ACME ADAPTER
55 ACME COUPLER
16 PIONEER COUPLER
42 RELIEF VALVE
LIQUIFIER
TORPEDO-HITCH
TUBES & KNIVES
VERTICAL DAM MANIFOLDS
APPLICATION ACCESSORIES

NOZZLE ACCESSORIES

67 ADAPTERS
68-69 NOZZLE BODIES TEEJET
62 NOZZLE BODIES QUICK TEEJET/PUSH-ON
70-74 NOZZLE CLAMPS
66 WILGER NOZZLE BODIES

PTO ADAPTERS

56, 63-66 PTO ADAPTER

PUMPS

11 CENTRIFUGAL PUMP-ACE
CENTRIFUGAL PUMP-HYPRO
CHEMICAL TRANSFER PUMP
39 DEF PUMP
47 DIAPHRAGM PUMP-HYPRO
53 EVERFLO PUMP
FUEL TRANSFER PUMP
MANIFOLD
ROLLER PUMP-HYPRO
11 SHURFLO PUMP/PARTS
TRANSFER PUMP-BANJO
154, 156 JOHN BLUE

PUMP REPAIR PARTS

182-189 CENTRIFUGAL PARTS-ACE
169-174 CENTRIFUGAL PARTS-HYPRO
175-178 DIAPHRAGM PARTS-HYPRO
161-165 ROLLER-HYPRO

RADAR

55 MICRO-TRAK ASTRO
RAVEN
TEEJET

RINSE NOZZLES

149 EDUCTOR NOZZLE
206 JET RINSE
149 RINSING NOZZLE-SPRAYING SYSTEMS

SAFETY EQUIPMENT

220 COVERALLS
221 GLOVES
GOGGLES
RESPIRATOR

SPRAY ACCESSORIES

205 COVERALLS
205 GLOVES
205 GOGGLES
206 JET RINSE
200-201 PLANTER KITS
205 RESPIRATOR
203 WILGER FLOW TUBES

SPRAY GUNS

148 FIRE NOZZLE
214 FUEL NOZZLE
148 HYPRO GUN
147 TEEJET GUNS & TIPS

SPRAY TIPS

110 CAPS & GASKETS
211 NITRO BARS
136, 203 ORIFICES
146 SCREENS & STRAINERS
111-136 TIPS-TEEJET
150-151 TIPS-WILGER COMBO-JET

SPRAYERS

17, 19 ATV SPRAYER
208 BACKPACK SPRAYER
20 FIELD BOSS
21 FIRE RANGER
21 FOAM RANGER
208 HAND SPRAYER
17, 19 LAWN SPRAYER
208 MASTER GARDEN SPRAYER
18, 19 UTV SPRAYER

STRAINERS

101 KLEEN FLO LAKE STRAINER
99 LINE STRAINER-HYPRO
76-78 MANIFOLD STRAINER-BANJO
103 STRAINER-TEEJET
84, 100-102 T & Y STRAINER-BANJO

TANKS

13 AGRI-PRODUCTS TRACTOR MOUNTED
212 DEF TANK
12 DEMCO TRACTOR MOUNTED
214 DIESEL TANK
27 & 30 INDUCTORS & ACCESSORIES
22 NURSE TANK
24-26 POLY TANK
23 PORTABLE STORAGE
27 SAFETY RINSE TANK
28-29 TANK ACCESSORIES
23 TRANSPORT
30 BATCHMASTER

TRAILER/FUELMATE

221 FUELMATE

VALVES

106 12 VOLT CONTROL & SHUT-OFF
105 BOOM CONTROL VALVE
104 PRESSURE RELIEF & THROTTLING

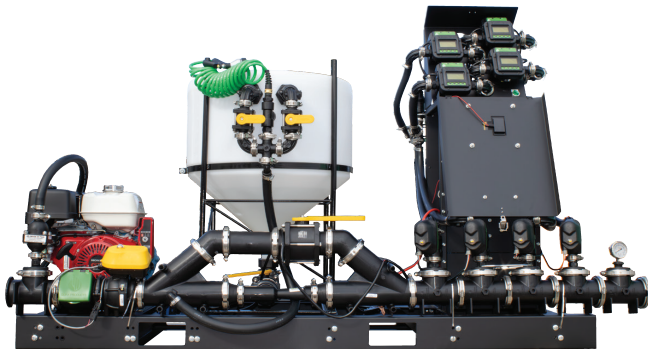
VALVES, BALL

75, 81, 83-86 BALL VALVE-BOLTED
79-80 BALL VALVE-NORWESCO
86 UNION VALVE
87 BRASS VALVE
107-109 ELECTRIC BALL VALVE-BANJO
55 ELECTRIC SOLENOID
86-87 MICRO VALVE
87 STAINLESS STEEL BALL VALVE
85 VALVE PARTS-BANJO

NEW PRODUCTS



Fast. Simple. Safe.™



The Fastest, Simplest, Safest Way to Mix and Spray

Fast: Speed and Productivity

Multijet: Spray More in Less Time: With the fastest mixing system on the market using simultaneous injection to reduce mixing and filling times by up to 75%.

Venturi: Spray More, Refill Faster: Achieve up to 50% faster refill times compared to most mixing systems, letting you cover more acres in less time.

Increase Productivity: Spend less time waiting and more time spraying, helping you cover more ground and get the job done faster.

Efficiency Redefined: Designed for high performance, the FastBatch series ensures seamless operation for any spraying application.

Simple: Familiar and Reliable

User-Friendly Design: Built with familiar components and a straightforward operation, making it easy for anyone to use.

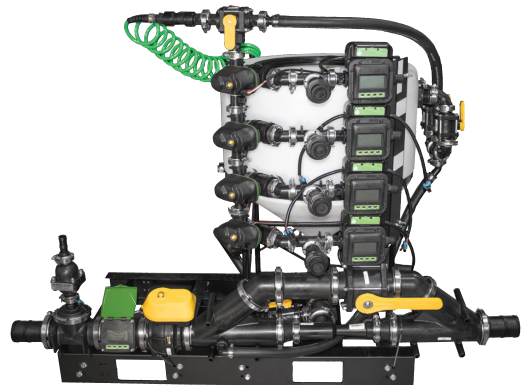
Reliable Performance: Trusted, high-quality parts ensure durability and dependable operation in the field.

Maintenance Made Easy: Common parts are widely available, minimizing hassle and downtime.

Safe: Protect Your Crops, Team, and the Environment

Unmatched Accuracy: Precise mixing ensures every batch meets your specifications.

Worker Safety First: Reduce exposure risks with a system designed for operator safety.



Speed, Simplicity and Safety in a Compact Design

CALL FOR PRICING

NEW PRODUCTS

Blended Pulse DualFan Nozzles For PWM Sprayer Systems



- * Blended Pulse DualFan (BPDF) nozzles use the same asymmetric DualFan spray pattern as the proven TurboDrop Asymmetric DualFan (TADF) nozzle, bringing the best combination of drift control and coverage to PWM applications without the use of air-injection.
- * The BPDF is truly a multi-purpose nozzle, producing a Very Coarse to Coarse droplet spectrum at lower pressure for drift control in burndown applications, and Coarse to Medium Droplets at higher pressure, perfect for coverage critical applications like contact herbicides, fungicides, insecticides and more.
- * The dualFan spray pattern relieves coverage concerns associated with PWM nozzles pulsing on and off.

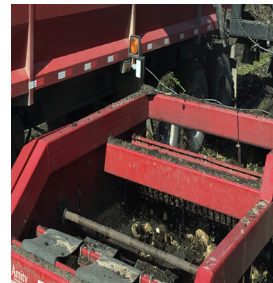


KB PRODUCTS

CENTER LOAD



KB-CL \$725.00 Y



- * KB Manufacturing, LLC, has designed a new aid for loading trucks, carts or other vessels.
- * The primary purpose is to more evenly place product for improved stability.
- * Light indicators provide dual signals to both the loader and loadee.
- * Every unit is measured with sonar prior to loading, establishing a customized center point.
- * A green light illuminates when the optimal load is achieved. When the loading area is too far in or out, a red light will be illuminated.
- * System is designed to help reduce operator fatigue and allow more attention on proper harvester settings.



Sensor is mounted on the loading equipment, such as a harvester. The sensor, along with microcontroller board, determine the distance for optimal placement for a centered load. ***This unit is used in conjunction with KBMFG patented Drive Linx System.*** This alerts the driver in the unit being loaded to move in the direction of the wireless display unit. The operator can adjust the distance and load zone from the comfort of their cab. This helps reduce operator stress and also helps maintain a safer, center loaded truck, cart or vessel.

Patent Pending.



KB PRODUCTS

START-STOP APPLICATION SWITCH



KB-SC \$550.00 Y

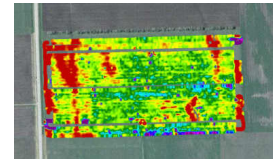
**Have you ever forgotten to flip a switch on th start an application of a product?
Have you ever accidentally left the switch on?**

Reduce you chance on leaving a switch on and burning your crops. This motion activated switch starts the application of the product when your machinery starts moving. Application stops when you stop. An Override switch allows the operator to turn the system on when stopping to check flow to the rows or check calibration. A status light allows the operator to visually see when the system is in an active state or non-active state. Safe and easy to operate.

HARVEST MONITOR



GK Technology
For Agriculture



KB-HARVESTM - CALL FOR PRICING

The Harvest Monitor was developed to aid in the loading of trucks and also to see variability within the fields. The monitor tracks truck weights and can be tarred after each load.

KB Manufacturing has teamed up with GK Technology to combine software and hardware for a conveyor type yield monitor.

Now you can track and view areas of your field that are not as productive or areas that produce higher yields. Are the areas affected by water damage, disease issues, variety change, fertilizer change, plant populations, or other field conditions? Yield monitoring can validate some of the choices that you make.



DIGITAL RPM MONITOR



KB-SHAFT - CALL FOR PRICING

This unit will monitor up to 10 shafts. It will alert the operator of shaft speeds that have slowed down or stopped. The minimum shaft speeds can be set by the operator. If two or more shafts are below the set speed the alarm will sound for a few seconds and the alarm light will stay on. This feature allows for reducing the PTO speeds on the end of a pass with out a continuing alarm sound. The monitor can scan each channel and display the speed of each shaft.

DIRECT INJECTION MONITOR



- * Ability to monitor up to four platforms or products at the same time.
- * Monitoring may be done by manual touch or automatic scan mode.
- * Audible low-limit alarm to warn the operator of low products.
- * LCD screen with back lighting for easy viewing.
- * Optional product platforms that securely attach to sprayer.

KB-INJECTIONM - CALL FOR PRICING

Maximizing your yield starts by treating your seed.

Dry Applicator

To obtain the best use of your treatments, you need to treat the seed as close to planting as possible. The CT Dry Powder Applicator does just that - it can be used in-field or while filling the seed tender. Our patented CT Dry Powder Applicator will meter talc, inoculants, graphite or any dry product evenly and accurately. This applicator applies your seed treatments in the field when you are ready to plant. The CT Dry Power Applicator can mount above an auger or conveyor and treats seeds just before they are planted. Seeds will be evenly coated as they travel to the planting devise. You can also purchase an auger system that will move the dry product from the applicator to the hopper before the seed enters the conveyor, auger or air delivery system. This system can also be set up to treat seed ahead of planting time.

PART# CTDRY6-12 (6 gallon, 12-Volt)	\$2,560.00 NET
PART# CTDRY6-110 (6 gallon, 110 motor)	\$3,775.00 NET
PART# CTDRY14-110 (14 gallon, 110 motor)	\$4,155.00 NET
PART# CTDRY21-110 (21 gallon, 110 motor)	\$4,425.00 NET



- * hands free system
- * Stainless steel cone
- * Waterproof variable speed controller

Liquid Applicator

To obtain the best use of your treatments, you need to treat the seed as close to planting as possible. The CT Liquid Applicator does just that - it can be used in-field or while filling the seed tender. Our CT Liquid Applicator can be used to evenly apply any liquid seed treatment that can be farmer applied or applied with applicable license. This applicator applies your seed treatments in the field when you are ready to plant.

PART# CTLIQUID5 (5 gallon, 12-Volt)	\$1,200.00 NET
PART# CTLIQUID10 (10 gallon, 12-Volt)	\$1,410.00 NET



- * continuous agitation pump
- * drain for easy clean out
- * in-line clear bowl filter
- * pressure gauge, adjustable ball valve and orifice for rate regulation

- * **Dry and liquid applicators can be used separately or together**
- * **Allow farmers to apply products needed at time of planting**
 - * **Saves farmers labor, time and money**
 - * **Can be used with any seed delivery system**



Are you driving over your money?

CROPSAVER ADVANTAGES:

- * REDUCE TRAMPLING LOSS BY 80-90%
- * A SET OF CROPDIVIDERS WILL PAY FOR THEMSELVES AFTER SPRAYING LESS THAN 1,000 ACRES
- * CAN BE USED IN A VARIETY OF SOLID SEEDED AND ROW SEEDED CROPS
- * SAVES FLAG LEAF DAMAGE WHEN SPRAYING FUNGICIDES AND HERBICIDES
- * CAN ALSO BE USED FOR DESICCATING OR PREHARVEST BURN DOWN
- * EASIER SWATHING, COMBINING AND TILLAGE WHEN GRAIN IS NOT TRAMPLED

Tridekon has 6 Cropsaver Cone Models - All interchangeable



Standard Narrow Cones
are the most commonly used.



Standard Wide Cones
are for sprayers with wide tires.



Chopped Cones
have the tops cut off for clearance on some sprayers.



Short Cones
are recommended for the rear tires on articulating machines and models with clearance issues.



Bean Cones
are designed to run low in the crop enabling it to get under vines. Recommended for beans and other row crop.



Step Cones
are available for machines where the sprayer's ladder interferes with the Cropsaver.

CALL FOR PRICING



FOAM MARKERS



SUPER MARKER FEATURES:

- * 12V DC Operated
- * 3-Position Switch Enclosed in Weatherproof Cover
 - * Two Stage Foam Generation
 - * Boom end Mounted Foam Chamber
 - * 150' delivery hose (FM14/FM25 Only)
 - * 4" Fluorescent Drop Boots for Visibility

PART#	DESCRIPTION	PRICE
FM-14	14 GALLON MARKER COMPLETE	1,250.00 Y
FM-25	25 GALLON MARKER COMPLETE	1,300.00 Y
FOAM	GALLON FOAM CONCENTRATE	66.50 Y
UNFOAMERG	GALLON ANTIFOAMING AGENT	62.00 NET
UNFOAMERQ	QUART ANTIFOAMING AGENT	33.25 NET
CFM1009	DROP BOOT ASSEMBLY Fm14 & Fm25	22.40 Y

NON-PRESSURIZED SYSTEM SIMPLY ADD WATER AND FOAM CONCENTRATE



FIELD MARKING FLAG



PART#	DESCRIPTION	PRICE
FFC	6' FIELD FLAG ORANGE w/9" x 11" PENNANT (1)	10.50 Y
FLAGB	BLUE FIELD FLAG (100)	28.00 S
FLAGO	ORANGE FIELD FLAG (100)	28.00 S
FLAGW	WHITE FIELD FLAG (100)	28.00 S

DEMCO TRACTOR MOUNTED TANKS

SIDE MOUNT TANK UNITS FOR JOHN DEERE TRACK DRIVE TRACTORS



FEATURES:

- * Two 350 or 500 gallon high capacity side mount tanks with 16" fill-well.
- * Better visibility - tanks are mounted longitudinal for superb visibility.
- * Comfortable transport width.

QUICK TACH IN-LINE SIDE MOUNT TANK UNITS



FEATURES:

- * Demco's in-line tanks are available in two sizes: 200 or 300 gallon capacities. They feature dual jet agitator, sump, molded sight gauge and fill-well with a no-splash cover. The 300 gallon tank has poly baffle.
- * High clearance brackets allow for approximately 30" of ground clearance. TRANSPORT WIDTH: 16'6"

600 GALLON QUICK TACH - 4WD articulating tractor



FEATURES:

- * Two 300 gallon tanks. They feature dual jet agitation, sump, molded sight gauge and 12" fillwell with no-splash cover.
- * High clearance brackets include saddles, tank bands, carrier brackets and all necessary bolts for a complete installation. 22-25" ground clearance. TRANSPORT WIDTH: 15'

400 & 500 GALLON REAR MOUNT SPRAYER UNITS

FEATURES:

- * 300, 400 or 500 gallon tank with jet agitation, molded sight gauge, sump and fillwell with no-splash cover.
- * Rear mount brackets are complete with saddles, tank straps and all necessary bolts.
- * Category 2 or 3 rear mount brackets may be used with "Quick Attach" three point hookup.
- * Large convenient platform with safety rail and ladder for easy filling of tank.
- * Retractable built in ground stand for storage when empty.
- * A clean water tank is conveniently mounted on the rear mount unit.
- * Available with single section electric control for disc spray kits or three section electric controls for boom spraying.



CALL FOR PRICING

Agri-Products Inc.



FEATURES:

- * Parallel mounting of tanks allows for excellent cab visibility
- * All steel components are powder coat paint
- * Tank mounts are available to accommodate inboard and outboard trac tractors and tractors with front duals
- * Front-mounted tanks are available on all wheeled tractors
- * All tanks carry a 3-year limited warranty
- * Manufacturer limitations and specs are taken into consideration in this design
- * Tank mounts are also available for tractors with FRONT DUALS
- * 500 gallon side mounts are available on some models

CALL FOR PRICING

FEATURES:

- * These tanks are offered in 300-gallon only
- * All steel components are powder coat painted
- * 3-year limited warranty
- * Actual mounting varies with different models
- * Installation is simple and fast
- * Manufacturer limitations and specs are taken into consideration in this design
- * Front-mounted tanks are available on most tractors





The AgCam camera system is the most durable, dependable and user friendly camera system available to the agricultural, industrial and public works market today.

SINGLE & DOUBLE CAMERA KITS



- * 3.6mm AHD cameras - 1 Single, 2 Double
- * 7" OR 9" LED Analog High Definition monitor w/4 camera inputs
- * A total of 80' of power/video cable for each camera (1 - 60' & 1 - 20')
- * Remote
- * 12v cigarette lighter power adaptor
- * A/C power adaptor

7" CAMERA KITS

PART# DMAC-H7C1 \$1,164.00 Y

PART# DMAC-H7C2 \$1,796.00 Y

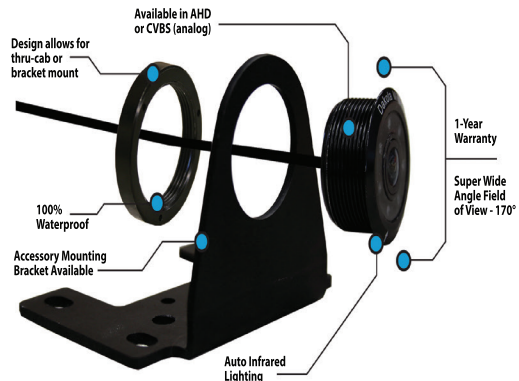
9" CAMERA KITS

PART# DMAC-H9C1 \$1,317.00 Y

PART# DMAC-H9C2 \$1,950.00 Y

BOBCAT CAMERA KIT

- * True HD Resolution (720P)
- * 16:9 aspect ratio so image doesn't need to be "stretched" to match monitors
- * Improved color & clarity over standard analog video cameras
- * Increased ability to interpret shadowed areas, allowing for a large viewing area
- * Built-in, high-quality CCD camera with high-performance lighting
- * Auto on IR Lighting
- * Standard camera lens features a 170* wide angle horizontal field of view
- * Kit includes 7" monitor w/bracket, 10' power video



PART# DMRZ-SH7C1 \$950.00 Y



SINGLE & DOUBLE CAMERA KITS

As Dakota Micro's entry level camera system, OverView offers quality construction, versatility, and an impressive list of features with an affordable price tag.



- * 2.9mm OverView Camera - 1 Single, 2 Double
- * 7" OverView LED Backlit Monitor - Stand & Remote
- * 20' of power/video cable for each camera
- * 12v cigarette lighter power adaptor

7" CAMERA KITS

PART# DMOV-7M-C1 \$457.00 Y

PART# DMOV-7M-C2 \$649.00 Y

OVERVIEW ALL IN ONE DIGITAL WIRELESS KIT

PART# DMOV-DWH7C \$599.00 Y



INCLUDES:

- * OverView 7in DIGITAL Wireless Monitor
- * 1 - OverView Digital Wireless Cameras
- * 12V Cigarette Lighter Power Adaptor
- * 2 - 12V Hardwire Power Adaptor
- * 3 - 5dBi Wireless Antennas

FEATURES:

- * BUILT IN *DIGITAL* WIRELESS ELIMINATES THE NEED FOR EXTRA COMPONENTS
- * UP TO 1/4 MILE RANGE WITH LINE OF SIGHT
- * VIEW CAMERAS ONE AT A TIME OR SIDE BY SIDE
- * CAPABLE OF DISPLAYING 2 DIGITAL WIRELESS CAMERAS
- * BUILT IN INFRARED NIGHT VISION ALLOWS FOR VIEWING UP TO 45+ FEET
- * NOT INTERCHANGEABLE WITH DAKOTA MICRO ANALOG WIRELESS PRODUCTS



5" Monitor Complete Kit



VWIC500-L \$199.00 Y

5" Digital LCD monitor
with suction cup mount.
License plate cam and 30' cable.
Great for backing up to
trailers with your pick-up truck.

7" Monitor Complete Kit



VWIC700 \$329.00 Y

7" LCD Monitor.
Durable camera w/magnet
Larger screen and two camera inputs

10" Monitor Complete Kit



VWIC104V2 \$729.00 Y

2 Cameras w/magnets
10" LCD Quad Monitor
700 TVL Resolution
IP 68 Durability Rating



VWIC104V4 \$969.00 Y

4 Cameras w/magnets
10" LCD Quad Monitor
700 TVL Resolution
IP 68 Durability Rating

ALSO AVAILABLE WIRELESS

ATV SPRAYERS

ATV Kit



FEATURES:

- Adjustable Boom
- TeeJet & Banjo Plumbing Parts
- 5.3GPM Remco 12V Pump
- Inline TeeJet Strainer to Protect Pump
- Spray Wand & 20' Hose
- Glycerin Filled Gauge & Pressure Regulator
- Drain Valve
- 20 Gallon Tank w/Sump
- 12' Boom

Part # ATVKIT-20/160 \$1,300.00 Y

ATV Mini-Sprayer



FEATURES:

- Commercial Quality
- 50 Gallon Low Profile Tru-Kleen Tank
- 16.5 x 6.5 x 8 High Flotation Turf Tires
- Tank has molded Anti-Vortex Baffles
- All Terrain Design
- Hose Reel, 50' Hose
- Spray Wand
- 12' Boom
- 4HP Honda w/22 GPM Centrifugal Pump

Part # ATVMINI \$3,375.00 Y

ATV Maxi-Sprayer



FEATURES:

- 110 or 150 Gallon Tank
- 20' or 30' Booms
- Walking Tandem Axles
- Axles Adjust for Row Spacing (60" - 80")
- Pull by a Small Utility Tractor or UTV
- 4HP Honda w/22.5GPM Centrifugal Pump
- Auto Boom Breakaway
- Adjustable Boom Height
- High Flotation Tires (20 x 20 x 8)
- Hose Reel & Spray Wand for Spot Spraying
- Optional - Electric Control

Part # ATVMAX-20 \$5,875.00 Y

Part # ATVMAX-30 \$6,250.00 Y

DELUXE BROADCAST SPRAYER



UTV Deluxe Broadcast Sprayer 50 Gallon

- * 3.0 GPM EVERFLO Pump
- * Deluxe Adjustable Spray Gun
- * 15' Rubber Hose to Spray Gun
- * Chemical Resistant polyethylene Tank
 - * All Steel Frame and Boom
 - * 10' Coverage
- * 3 Section 6 Nozzle Folding Boom
- * 12V Connection Cables Included

Part# UTV50-620 \$890.00 P

ATV, LAWN & TRAILER SPRAYERS



ATV Sprayer 25 Gallon

- * 7' Boom Standard
- * Chemical Resistant polyethylene Tank
- * 5" Fill Lid w/Tether
- * Variable Pressure Regulator
- * Adjustable Brackets for Perfect Boom Height
- * 12V Connection Cables
- * 18" lever Handgun w/15ft hose
- * Adjustable Cone Spray Nozzle
- * Ideal for applying Insecticides & Herbicides
- * Round-up Ready
- * 10' Boom Available

Part# ATV25 \$325.00 P
Part# ATV25-420 \$365.00 P

Lawn Sprayer 40 & 60 Gallon

- * Chemical Resistant polyethylene Tank
- * On-Off Boom Control
- * 3 section folding break away boom
- * 10' Boom Spray 40 Gal
- * 12' Boom Spray 60 Gal
- * Deluxe Handgun
- * Adjustable Cone Spray Nozzle
- * Ideal for applying Insecticides & Herbicides
- * Round-up Ready

Part# LS40-620 \$830.00 P
Part# LS60-820 \$1,100.00 P

Trailer Sprayer 15 & 25 Gallon

- * Chemical Resistant polyethylene Tank
- * 5" Fill Lid w/Tether
- * Steel powder coated frame w/10" pneumatic tires
- * 80" Boom Spray Coverage
- * 12V Connection Cables with switch
- * 18" lever Handgun w/15ft hose
- * Adjustable Cone Spray Nozzle
- * Ideal for applying Insecticides & Herbicides
- * Round-up Ready

Part# LS25ND \$425.00 P

FIELD BOSS/BOOMS



BOSS 365

SFB060FG225GH \$3,320.00 Y
SFB100FG225GH \$3,460.00 Y

New design 100% drain-able tank

Easily clean your tank to avoid mixing chemical when spraying.

Easily load and unload your sprayer

Each Field Boss comes with integrated fork points for loading and unloading.

Control your boom from your seat

The spring loaded control arm allows you to manage your boom options.



XSTREAM

SFB060FG290EX \$3,910.00 Y
SFB100FG290EX \$4,055.00 Y

New automatic shut-off filter

You can now clean the filter at any time without having to empty the tank.

Low profile tank for extra stability

Keep your liquid close to the ground to keep your center of gravity low.

Heavy duty 100% poly hose reel

Easy to wind, this hose reel is constructed to withstand many years of rugged use.



ECOLITE

SFB060FG712V \$2,755.00 Y
SFB100FG712V \$2,950.00 Y

Control your pump from your seat

Switch your pump off when it is not in use to reduce wearing.

Attach any Enduraplas boom in minutes

You have boom spraying in mind, we have a quick and easy solution.

12 volt pump performance

If you're looking for a quiet, efficient pump option, this is your answer.

attach any enduraplas boom in minutes



POLY BOOM
13 Feet
ASBP13GY \$770.00 Y



STEEL BOOM
12, 20, 26 & 30 Feet
ASBS12SS \$585.00 Y
ASBS20SS \$1,095.00 Y
ASBS26XKIT \$275.00 Y
ASBS30XKIT \$355.00 Y



RECEIVER HITCH
AZFRH001 \$423.00 Y

PICKUP/UTV SPRAYERS

PRO MASTER 725



FEATURES:

200, 250, 300 & 400 Gallon
 sump bottom tank for easy drainage
 high pressure honda pump
 adjustable spraying pattern

SPM200FG725	\$9,260.00 Y
SPM250FG725	\$9,335.00 Y
SPM300FG725	\$9,570.00 Y
SPM400FG725	\$9,650.00 Y

PRO MASTER 580E



FEATURES:

100, 200, 250, 300 & 400 Gallon
 space saving compact design
 complete with 100' of high pressure hose
 manual pressure regulator & gauge

SPM100FG580E	\$8,970.00 Y
SPM200FG580E	\$9,725.00 Y
SPM250FG580E	\$9,570.00 Y
SPM300FG580E	\$9,960.00 Y
SPM400FG580E	\$10,115.00 Y



FIRE BOSS

FEATURES:

60 & 100 Gallon
 easy wind hose reel
 compact space saving design
 Honda engine

SMFB060FG120GH	\$4,475.00 Y
SMFB100FG120GH	\$4,550.00 Y



FIRE RANGER

FEATURES:

250, 300 & 400 Gallon
 integrated quick fill system
 high flow fire nozzle
 slide into the back of your pickup

SMF250FG120GH	\$5,615.00 Y
SMF300FG120GH	\$6,070.00 Y
SMF400FG120GH	\$6,220.00 Y



FOAM BOSS

FEATURES:

60 & 100 Gallon
 frame includes integrated fork points
 use foam to suppress fire/using less water
 built in foam gauge to change amount of foam

SMFFB060FG120GH	\$5,355.00 Y
SMFFB100FG120GH	\$5,515.00 Y



FOAM RANGER

FEATURES:

250, 300 & 400 Gallon
 foam for creating long lasting fire breaks
 special air induction nozzle
 a built in foam tank and foam gauge

SMFF250FG120GH	\$7,440.00 Y
SMFF300FG120GH	\$7,725.00 Y
SMFF400FG120GH	\$8,170.00 Y

Other pull-type trailer sprayers available.
 Marshal Trailers & 12 Volt Trailers also available.



NURSE TRAILERS



PIN MOUNTED NURSE TRAILER

STANDARD BENEFITS:

- *Long lasting powder coat finish on steel
- *Thick tank sidewalls provide superior strength
- *Pin-mounted tank system eliminates wear point on tank
- *Heavy Duty 2" x 6" tube steel frame on 800 & 1000 gallon trailers
- *Heavy Duty 2" x 8" tube steel frame on 1600 gallon trailers



CONE BOTTOM NURSE TRAILER

STANDARD BENEFITS:

- *15 degree cone-bottom for total evacuation
- *Heavy Duty 2" x 6" tubular steel frame
- *Long-lasting powder coat finish on steel
- *Ribbed sidewall tank for extra strength
- *Green color deters algae growth
- *Slipper-spring suspension using leaf springs for smoother ride



**TRAILER SHOWN INCLUDES:
4' EXTENDED WOODEN DECK,
MIXING CONE KIT,
PUMP KIT & PUMP COVER**

CALL FOR PRICING

TRANSPORTABLE STORAGE TRAILERS

A perfect portable storage solution for someone that requires liquid in different spots at different times. With new design features, these cone trailers offer a range of user-friendly benefits.
Available in double and triple cone tanks.

- * Industry leading Ribbed Wall tank warranty.
You can depend on each Ribbed Wall tank to work as hard as you do.
- * Unique jacking system.
Ergonomic jack height with center pull hydraulic ram.
- * Heavy duty power coated frame.
Extra strong tube frame with built-in hose storage brackets.
- * A complete drainage system.
Pump position allows you to fully drain all hoses.



CALL FOR PRICING

FREESTANDING TRANSPORT TANKS



LIFTING-LUGS

Built-in and engineered to take the *weight of the tank, these make lifting the tank on and off the trailer a breeze.

THICK-WALL DESIGN

Extra-thick walls provide unmatched strength and durability.

PIN-MOUNT SYSTEM

The molded-in mounting lugs combined with heavy-duty steel pins will keep this tank fixed without movement. No hoops. No bands. No maintenance.

These freestanding Transport Tanks feature horizontal legs and are widely considered the most secure transport tank in the market. With the Pin-Mount advantage, these tanks are secured with double the number of fasteners than other tanks for similar use.

Available in sizes:
110 gallon to 4,500 gallon.

4 colors to choose from
Green & Black are standard
Yellow & White are special order.

ANTI-SPLASH STAINLESS LID

Lockable and spill-proof, this lid keeps liquid in while traveling on rough terrain. (Only on tanks 1,600 gallons and larger).

SINGLE-PIECE CONSTRUCTION

Rotationally-molded in a single mold means the tank is seamless, water-tight and leak-proof.

AUTO-DRAIN SUMP BASE

The sloped tank base channels every ounce of liquid to the drain. Just where it should go.

CALL FOR PRICING

POLY TANKS

FLAT BOTTOM, CONE BOTTOM

Enduraplas **Flat Bottom Storage** tanks use high-quality polyethylene and are built to store liquids like water, liquid fertilizer, waste vegetable oil, agricultural chemicals, liquid feed, industrial chemicals and more. These tanks are designed for indoor and outdoor applications and are easy and cost-effective to install.



FLAT BOTTOM STORAGE				
PART#	GALLONS	CAPACITY	H x D	PRICE
THV1000	1,000	1,000	65 x 80	1,530.00 Y
THV1550	1,550	1,700	80 x 85	1,865.00 Y
THV1650	1,650	1,731	75 x 90	2,024.00 Y
THV1750	1,750	2,009	92 x 85	2,155.00 Y
THV2000	2,000	2,276	93 x 90	2,630.00 Y
THV2100	2,100	2,208	100 x 85	2,630.00 Y
THV2500	2,500	2,680	113 x 90	3,005.00 Y
THV3000	3,000	3,126	125 x 90	3,680.00 Y
THV05000	5,000	5,500	150 x 110	7,595.00 Y
THV6000	6,000	6,500	179 x 110	10,490.00 Y
THV7011	7,011	7,011	126 x 144	10,800.00 Y
THV08000	8,000	8,150	142 x 144	13,980.00 Y
THV10000	10,000	10,400	178 x 144	16,795.00 Y



FEATURES:

- UV STABILIZED POLYETHYLENE
- STRONG LID STRUCTURE/VENTED
- SUITABLE FOR LIQUID FERTILIZER
- 4 POSITIVE TIE DOWN POINTS
- MOLDED IN CALIBRATION
- 2" STANDARD FITTING (1000 - 2500)
- 3" STANDARD FITTING (3000 - 10000)

TANK COLORS:
 GREEN & BLACK STANDARD
 YELLOW & WHITE UPON REQUEST

Enduraplas **Cone Bottom Storage** tanks range in capacity from 550 to 10,000 gallons. They feature heavy-duty plastic construction, durable steel frame, four positive tie down points and a 15-degree conical bottom that can be emptied quickly. We also offer trailer configurations for portable cone-bottom tank storage.

CONE BOTTOM W/STAND				
PART#	GALLONS	CAPACITY	H x D	PRICE
THC01550K	1,550	1,550	95 x 85	4,420.00 Y
THC02500K	2,500	2,680	130 x 90	6,495.00 Y
THC03000K	3,000	3,126	146 x 90	7,170.00 Y
THC05000K	5,000	5,500	89 x 85	12,425.00 Y
THC10000K	10,000	10,400	93 x 90	26,485.00 Y



PRICING ON ALL POLY TANKS ARE SUBJECT TO CHANGE, PLEASE CALL FOR CURRENT PRICING AND AVAILABILITY



POLY TANKS FREESTANDING, LEG

Enduraplas **Freestanding Transport** tanks are widely considered the most secure transport tank in the market. With the Pin Mount advantage, these tanks are secured with double the number of fasteners than other tanks for similar use.



FREESTANDING				
PART#	GALLONS	CAPACITY	L x W x H	PRICE
THF01600	1600	1600	130 x 71 x 59	4,655.00 Y
THF02200	2200	2200	130 x 71 x 72	6,645.00 Y
THF02500	2500	2500	130 x 87 x 75	8,375.00 Y
THF03200	3200	3200	145 x 97 x 79	9,515.00 Y
THF04500	4500	4500	179 x 95 x 84	15,015.00 Y



LEG			
PART#	GALLON	D x L	PRICE
LT-15S	15	14x30	127.69 A
LT-25S	25	16x34	134.64 A
LT-65W	65	24x39	286.01 A
LT-70W	70**	24x39	329.47 A
LT-125W	125	32x44	466.97 A
LT-165W	165	32x54	577.05 A
LT-225W	225	38x52	666.26 A
LT-335W	335	44x56	811.35 A
LT-535W	535	48x78	1,301.67 A

CLOSET TANK			
PART#	GALLON	W x L x D	PRICE
UT-250	250	29 x 62 x 42	781.57 A
UT-300	300	29 x 62 x 53	1,003.36 A
UT-400	400	29 x 62 x 66	1,296.68 A
UT-1000	1,000	40 x 92 x 89	2,385.63 A

The tank is designed for narrow installations

S = SUMP W = WITHOUT SUMP

PRICING ON ALL POLY TANKS ARE SUBJECT TO CHANGE, PLEASE CALL FOR CURRENT PRICING AND AVAILABILITY

POLY TANKS

ELLIPTICAL, HORIZONTAL, VERTICAL & PICK-UP

ELLIPTICAL			
PART#	GALLONS	WxLxH	PRICE
ET-200	200	41x66x26	647.71 A
ET-300	300	48x70x30	819.41 A
ET-400	400	57x70x36	910.29 A
ET-500	500	57x82x36	1,130.46 A
ET-750	750	69x89x42	1,532.30 A
ET-850	850	69x89x46	1,738.10 A
ET-1000	1000	78x90x49	1,954.09 A



CRADLES FOR ET		
PART#	BANDS	PRICE
CET-200	3" x 61"	568.23 A
CET-300	3" x 74"	648.97 A
CET-400	4" x 88"	757.97 A
CET-500	4" x 88"	875.54 A
CET-750	4" x 91"	1,420.48 A
CET-850	4" x 99"	1,428.63 A
CET-1000	4" x 105"	1,940.87 A

HORIZONTAL			
PART#	GALLONS	D x L	PRICE
HT-25	25	23x22	144.95 A
HT-55	55	23x38	215.66 A
HT-95	95	24x56	347.99 A
HT-110	110	30x44	353.98 A
HT-15032	150	32x52	435.26 A
HT-20032	200	32x68	517.46 A
HT-20038	200	38x51	517.46 A
HT-300	300	38x76	663.05 A
HT-500	500	48x79	901.79 A



CRADLES FOR HT		
PART#	BANDS	PRICE
CHT-25	1.5" x 50"	112.01 A
CHT-55	2" x 50.5"	122.56 A
CHT-95	2" x 51.5"	216.33 A
CHT-110	2.75" x 60"	245.66 A
CHT-150	2.75" x 56"	342.87 A
CHT-20032	2.75" x 57"	498.72 A
CHT-20038	2.75" x 65"	474.80 A
CHT-300	2.75" x 69.5"	573.42 A
CHT-500	2.75" x 86.5"	698.65 A



VERTICAL			
PART#	GALLONS	D x H	PRICE
VT-65	65	23x42	229.29 A
VT-100	100	28x45	330.95 A
VT-110	110	32x41	344.69 A
VT-175	175	31x61	425.68 A
VT-225	225	31x76	566.84 A
VT-265	265	31x88	620.97 A
VT-300	300	42x55	606.75 A
VT-425	425	42x75	781.62 A
VT-550	550	52x66	887.31 A

PICK-UP TANKS			
PART#	GALLON	W x H	PRICE
PUT-200	200	52x30	426.11 A
PUT-305	305 LP	60 x 58 x 30	709.66 A
PUT-350	350	62x34	649.39 A
PUT-450	450	62 x 41	756.66 A

TANK CLEANER & NEUTRALIZER		
PART#	DESCRIPTION	PRICE
ALLCLEAR	DECONTAMINATOR GAL	34.75 NET
CUTRINE	ALGAECIDE GAL	17.50 Y

PRICING ON ALL POLY TANKS ARE SUBJECT TO CHANGE, PLEASE CALL FOR CURRENT PRICING AND AVAILABILITY



INDUCTORS & RINSE TANK

“KIT INCLUDES - 2” FITTINGS”

1-Close Nipple, 2 Hose Barbs,
1-Threaded Tee & Valve

INDUCTORS		
PART#	DESCRIPTION	PRICE
ACE ROTO-MOLD TANKS		
ATK-15	15 GAL TANK (1-1/2")	143.29 A
ATKS-15	15 GAL STAND	124.97 A
ATK15KIT	15 GAL KIT	325.00 P
ATK-30	30 GAL TANK (1-1/2")	185.15 A
ATKS-30/55	30 GAL STAND	132.60 A
ATK30KIT	30 GAL KIT	360.00 P
ATK-40	40 GAL TANK (2")	261.47 A
ATKS-40/85	40 GAL STAND	230.78 A
ATKTS-40/85	40 GAL TALL STAND	247.62 A
ATK40KIT	40 GAL KIT	540.00 P
ATK-55	55 GAL TANK (1-1/2")	341.40 A
ATKS-30/55	55 GAL STAND	132.60 A
ATK55KIT	55 GAL KIT	425.00 P
ATK-60MAG	60 GAL MAG TANK (2")	285.39 A
ATKS-40/85	60 GAL MAG STAND	230.78 A
ATKTS-40/85	60 GAL TALL MAG STAND	247.62 A
ATK60MAGKIT	60 GAL MAG KIT	560.00 P
ATK-110	110 GAL TANK (2")	402.09 A
ATKS-110	110 GAL STAND	230.78 A
ATK110KIT	110 GAL KIT	675.00 A
TRU-KLEEN TANKS		
TK20TS-2	20 GAL TANK & STAND	270.00 Y
TK20TS-3	20 GAL TANK/TALL STAND	270.00 Y
TK30TS-2	30 GAL TANK & STAND	295.00 Y
TK30TS-3	30 GAL TANK/TALL STAND	295.00 Y
TK40MTS-2	40 GAL MAG TANK/STAND	355.00 Y
TK40MTS-3	40 GAL MAG TANK/TALLSTAND	355.00 Y
TK65MTS-2	60 GAL MAG TANK/STAND	395.00 Y
TK65MTS-3	60 GAL MAG TANK/TALL STAND	395.00 Y
TK100MTS	100 GAL MAG TANK/TALL STAND	680.00 Y
TK200MTS	200 GAL MAG TANK/TALL STAND	940.00 Y

FULL DRAIN
INDUCTOR TANKS
NO BULKHEAD FITTING
MEANS COMPLETE
TANK DRAINAGE.



RINSE TANK



RT-9-KIT (SHOWN)

RINSE TANKS		
PART#	DESCRIPTION	PRICE
RT-2.5	2.5 Gal Rinse Tank	51.40 A
RT-3	3 Gal Rinse Tank	53.52 A
RT-4	4 Gal Rinse Tank	79.58 A
RT-5	5 Gal Rinse Tank	79.58 A
RT-9-KIT	9 Gal Tank/Valve/Compartment	145.60 P
RT-10	10 Gal Rinse Tank	137.88 A
RT-20	20 Gal Rinse Tank	141.37 A
RT-35	35 Gal Rinse Tank	178.37 A
RT-56	56 Gal Rinse Tank	246.07 A



PRICING ON ALL POLY TANKS ARE SUBJECT TO CHANGE, PLEASE CALL FOR CURRENT PRICING AND AVAILABILITY

TANK ACCESSORIES

POLY TANK LIDS		
PART#	DESCRIPTION	PRICE
60002	8" w/AIR VENT	25.77 D
10529	4" w/AIR VENT (AIR VENT FOR 16" LID)	18.93 D
60032	8" w/RING & AIR VENT	36.08 D
60322	5" w/BALL CHECK AIR VENT (Prior 2/1/00)	19.50 D
60367	16" VENTLESS w/RING	57.30 D
61727	AIR VENT FOR 8" ONLY (snap on)	8.72 D
62531	LANYARD	1.95 D
62532	16" HINGED w/RING & AIR VENT	169.72 D



POLY BULKHEAD FITTINGS			
PART#	DESCRIPTION	HOLE SIZE	PRICE
BHF12	1/2" BULKHEAD	1-5/8"	13.23 D
BHF34	3/4" BULKHEAD	1-5/8"	13.23 D
BHF100	1" BULKHEAD	2-1/4"	15.73 D
BHF114	1-1/4" BULKHEAD	2-1/4"	18.33 D
BHF112	1-1/2" BULKHEAD	3"	26.33 D
BHF200	2" BULKHEAD	3"	26.33 D
BHF220	2" FP BULKHEAD	3-1/4"	36.05 D
BHF300	3" BULKHEAD	4-1/2"	60.38 D
MTF220BD	2" MANIFOLD FLANGE	3-1/4"	39.70 D
MTF300BD	3" MANIFOLD FLANGE	4-1/4"	67.70 D
62834	1/2" HD DOUBLE THREAD BULKHEAD	1-7/16"	9.96 D
60401	3/4" DOUBLE THREAD BULKHEAD	1-7/16"	7.80 D
62798	3/4" HD DOUBLE THREAD BULKHEAD	1-5/8"	10.35 D
60427	1" DOUBLE THREAD BULKHEAD	2-1/4"	9.96 D
60403	1-1/4" DOUBLE THREAD BULKHEAD	2-1/4"	9.76 D
63065	1-1/4" ANIT-VORTEX BULKHEAD	2-1/4"	12.46 D
60124	1-1/2" DOUBLE THREAD BULKHEAD	3"	14.95 D
60405	2" DOUBLE THREAD BULKHEAD	3"	14.22 D



POLY SIPHON TUBES		
PART#	DESCRIPTION	PRICE
BHST200	2" SIPHON TUBE	28.63 D
BHST300	3" SIPHON TUBE	42.33 D



TANK ACCESSORIES

VORTEX CAP			
PART#	DESCRIPTION	HOLE SIZE	PRICE
VC230	2" ANTI VORTEX W/12 MESH SCREEN	2"	25.68 D
VC330	3" ANTI VORTEX W/10 MESH SCREEN	3"	43.43 D
TF100AV	1" ANTI VORTEX TANK FLANGES	2-1/4"	34.53 D
TF125AV	1-1/4" ANTI VORTEX TANK FLANGES	2-1/4"	34.53 D
TF150AV	1-1/2" ANTI VORTEX TANK FLANGES	3"	43.18 D
TF200AV	2" ANTI VORTEX TANK FLANGES	3"	43.18 D



BUTRESS X MALE ADAPTER		
PART#	DESCRIPTION	PRICE
TA283	2" Buttress x 2" Male NPT w/Santoprene Gasket	27.78 D
TA283QD	2" Buttress x 2" Male Adapter QDC w/Santoprene Gasket	21.63 D

POLY SWIVEL		
PART#	DESCRIPTION	PRICE
BSW100	1" SWIVEL	19.75 D
BSW150	1-1/2" SWIVEL	24.18 D
BSW200	2" SWIVEL	27.10 D
BSW220	2" FP SWIVEL	45.13 D



POLY DRUM FAUCET		
PART#	DESCRIPTION	PRICE
D1050	3/4" FAUCET	6.25 R
D1050-2	2" FAUCET	70.00 R



WATER CONTROL VALVES		
PART#	DESCRIPTION	PRICE
HVFLOAT	1" WATER LEVEL VALVE 8-140 PSI 1" FPT	45.50 A
HVKIT	1" WATER LEVEL VALVE WITH PLUMBING	100.00 A
RJV20-HF-LP	3/4" FLOW ROJO FLOAT VALVE	90.00 A
JOTPV20DLT	3/4" HIGH FLOW TOPAZ VALVE 55 GPM @ 75 PSI	147.00 A
JOTPV1D	1" HIGH FLOW TOPAZ VALVE 80 GPM @ 75 PSI	164.50 A



POLY MANIFOLD		
PART#	DESCRIPTION	PRICE
TM075/050	8 Station Manifold 3/4" Inlet x 1/2" Outlet, Gauge Port	48.43 D

TANK REPAIR		
PART#	DESCRIPTION	PRICE
60221	POLY WELDING GUN & ROD	462.61 D
61879	POLY WELDING ROD - 30'	97.63 D



RECIRCULATING BATCH MASTER & CHEMICAL INOCULATOR



*Ideal for mixing DRY chemical
 - 3 point recirculating tank
 - 2" or 3" plumbing options
Pump sold separately



*20 Gallon Tank
 *Adjustable Magnetic Nozzle Mount
 *Manual Rate Adjustment

PART#	GALLONS
BatchMaster65	65
BatchMaster100	100
BatchMaster200	200

PART#	DESCRIPTION	PRICE
TKI-115V	20 GAL INOCULATOR 115V	914.00 Y

CALL FOR PRICING

MIC



Multi-Product Induction Cone

- The Multi-Product Induction cone enables you to never use a 12volt chemical pump again.
- MIC utilizes an oval gear meter that is factory calibrated to be +- .5% and being a gear meter, you don't have to change calibration between products. Features 1/10th gallon increments, back light display.
- Installs on the pressure side of your pump so you will never have chemical going through your pump.
- Reduces chemical exposure
- Eliminate chemical cross contamination
- 60 gallon total drain cone tank with lockable hinged lid.
- 3" plumbing but will also work with a 2" pump
- Induct up to 4 products through the meter at a flow rate up to 20 GPM
- Tank rinse and manifold rinse
- Common option include the CHEM-BLADE or Jug Rinse



INDUCTOR ACCESSORIES



1. **Cone Rinse** - washes chemical out of ENTIRE tank
2. **Anti-Vortex Plate** - eliminates swirl in tank
3. **Jug Rinse** - leaves no wasted chemical in chemical tank
4. **Tank Agitation** - evenly mixes chemical
5. **Jug Cutter** - stainless steel blade used to open, empty and rinse chemical container (16" lid required)
6. **Rinse Valves** - Top (a) - Cone Rinse, Bottom (b) - Jug Rinse

Now available at Spray Advantage



BLOCKAGE MONITOR



SAFEGUARD HAS YOUR BACK

Applying liquid fertilizer used to be a pain in the neck. Not anymore. You no longer have to watch your back for application blockages.

With SafeGuard's in-cab audible alarm and visual display, you'll instantly hear and see what you've been missing. SafeGuard's around-the-clock protection continuously monitors your application. SafeGuard instantly informs you of liquid blockages and pinpoints their location, arming you with the knowledge and power to fix them immediately to stop yield reduction and profit loss dead in their tracks. Take back control of your application and put more dollars in your pocket.

CALL FOR PRICING





MICRO-TRAK MONITORS

SHAFT-TRAK

Monitors up to 6 independent shafts simultaneously, or up to 6 lin level sensors or a combination of up to 3 shaft and 3 bin levels.

FEATURES:

PART#	# SHAFTS	PRICE
01323	0	721.00 A
01330	1	803.00 A
01331	2	921.00 A
01332	3	970.00 A
01333	4	1,049.00 A
01334	5	1,133.00 A
01335	6	1,211.00 A

- *The simplest of all monitors - simply install sensors and turn on power settings or calibration are required
- *Immediate notification when shaft RPM drops below 45 or level in the bin drops below the bin level sensor
- *Standard with Hall-effect (non-mechanical) magnetic shaft speed sensor
- *Visual and audible alarms
- *Eliminate unseeded areas
- *Save money and time by seeding once
- *Avoid embarrassing and costly skips

DUAL ISOMOD - RATE CONTROLLER FOR ISOBUS

Flexible, powerful, automatic rate controller - features Single or Dual channel control and multi-section capabilities. It is ISOBUS ready, connecting easily to existing control systems and utilizing an in-cab ISO terminal for setup and control.

- * Advanced rate control combined with flexible channel configuration options - choose from Normal, Parallel and Injection modes.
- * Powerful Multifunction outputs to control on/off valve for Master, Relief, Flow Trigger or Flush functions.

Designed from the ground up to meet the unique needs of today's precision farmers.

Part# 01845 \$2,433.00 A

Dual ISOmod kit - Single Product Rate Control
 (Includes: module, power cable & channel 1 cable)

Part# 01993 \$2,686.00 A

Dual ISOmod kit - Dual Product Rate Control
 (Includes: module, power cable & Channel 1 & 2 cables)



PART#	ISOmod Kit Parts	PRICE
19667A	Dual ISOmod Module	2,182.00 A
19604A	Dual ISOmod Bulkhead Harness 2'	718.78 A
19605A	Dual ISOmod Channel 1 Branch Cable 10'	337.02 A
19606A	Dual ISOmod Channel 2 Branch Cable 10'	338.00 A
19669	Dual ISOmod 6-section Branch Cable 10'	340.00 A
19670	Dual ISOmod 12-section Branch Cable 10'	615.00 A

AUTOMATIC RATE CONTROLLERS



SPRAYMATE II

PART# 01340 \$2,312.00 A

SPRAYMATE Plus

PART# 01352 \$2,820.00 A



FEATURES :

- *All-in-one design with built-in controls for up to 3 separate boom sections
- *Master control switch standard
- *Standard On/Off power switch
- *Flash memory for simple customizing
- *Bulit-in capability for future VRA
- *Added NH3 and Turf units
- *Records area and volume in 3 independent pairs of counters so individual jobs may be tracked
- *Tank counter shows amount remaining in tank
- *Enhanced reliability, precision and accuracy
- *Inline/bypass for servos
- *Troubleshooting enhancements including “No Speed” and “No Flow” messages
- *On-the-go rate adjustment
- *Push-button auto/manual feature for spot treatments
- *Minimum flow feature to ensure proper application pattern as ground speed slows to extremes
- *Precise rate control regardless of field condition
- *Solenoid and ball valve compatible
- *Flow-based control
- *Controls electric and hydraulic valves/motors
- *NH3 compatible

CALC-AN-ACRE II

FEATURES:

- *Accurate Speed, Area and Distance Measurement
- *Includes Hall-effect speed sensor, mounting hardware and weatherproof connections
- *Wide range of use - sprayers, tractors, ATV's, trucks, floaters, etc.
- *Provides improved chemical efficiency and accuracy
- *Area Per Hour & Accumulated Hour functions to track progress, plan work, and schedule maintenance
- *Width Reduction function to measure the effective area of active boom sections
- *Provides shaft RPM readout (with optional Shaft Sensor Kit)
- *Push-button run/hold
- *Distance measurement
- *3 independent area counters
- *Displays true ground speed to 1/10 mph



PART# 01000 \$631.00 A

Plus SERIES AUTOMATIC RATE CONTROLLERS



RATEKING Plus

PART# 01878 \$1,931.00 A



RATEKING DUAL Plus

PART# 01899 \$3,294.00 A

New and Expanded Features

- * Flow or Pressure Based Control
 - * Pressure Monitoring
- * PWM or Servo Control to accommodate different PWM devices
- * Adjustable PWM Minimum and Maximum Pulse Width to prevent motor stalling or over pressure
 - * Multifunction Output can be set to Control an On/Off Valve for Master, Relief, Flow Trigger or flush functions
 - * Closed or Open Loop Control offer the option of running without a flowmeter
- * Custom Data Position offers the ability to monitor VRA activity or live PWM activity
 - * Calibration Lockout prevents inadvertent Calibration changes
 - * Selectable Control Valve Polarity
 - * Selectable Section Valve Polarity
 - * Rate Error LED
 - * Selectable Rate Alarm Percentage
 - * Selected Hold State
- * Dedicated Increase/Decrease Rate Buttons
 - * Three-Way Section Valve Control
 - * Selectable Start & Speed Time

AUTOMATIC NH3 RATE CONTROLLERS

Designed specifically to control anhydrous ammonia.

MT-NH3 II

FEATURES:

- *Built-in capability for future VRA
- *Records area and volume in 3 independent pairs of counters so individual jobs may be tracked
- *Enhanced reliability, precision and accuracy
- *Troubleshooting enhancements including “No Speed” and “No Flow” messages
- *Provides a complete picture of critical application functions and an accurate record of work performed
- *Includes console/main valve ON/OFF switch with safety lock
- *Application Rate Actual “N” - Displays the amount of actual “N” applied per unit area
- *Flow Rate - Displays the amount of NH3 applied per minute
- *Total NH3 - Records the total amount of NH3 applied (3 counters)
- *Area Per Hour - Tracks work progress
- *Ground Speed



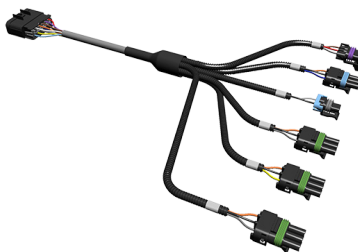
PART# 01144 \$1,573.00 A

DirectConnect KITS

Micro-Trak’s Liquid and NH3 Kits are now **COMPLETELY** compatible with all Major controllers in the industry.

---Easily connect your Micro-Trak system to---

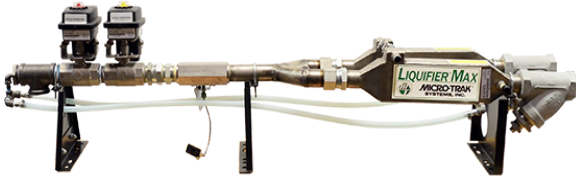
- | | |
|------------|--------------|
| * Topcon | * John Deere |
| * Trimble | * Raven |
| * AgLeader | * Case |



Micro-Trak is constantly growing our compatibility list. If you do not see your brand, simply give us a call for the latest list available.

LIQUIFIER MAX

PART# 01818



Specifications:

- *70 GPM @ 100 psi Tank Pressure
(21,000 lbs NH3/hr)
- *40 GPM @ 40 psi Tank Pressure
(12,000 lbs NH3/hr)

Features:

- *High capacity stainless steel heat exchanger rated up to 21,000 lbs NH3/hr
- *Extended application window means superior performance even in extremely cold weather
- *Increased capacity - Colder Temps - Larger Toolbars

LIQUIFIER

PART# 01817



Specification:

- *40 GPM @ 100 psi Tank Pressure
(12,000 lbs NH3/hr)
- *25 GPM @ 40 psi Tank Pressure
(7,500 lbs NH3/hr)

Feature:

- *Stainless steel heat exchanger rated up to 12,000 lbs NH3/hr
- *Straight-through design means superior performance even in extremely cold weather

CALL FOR PRICING

LIQUIFIER JUNIOR

PART# 01816



Specifications:

- *23 GPM at 100 psi Tank Pressure
(6,000 lbs NH3/hr)
- *15 GPM at 40 psi Tank Pressure
(3,750 lbs NH3/hr)

Features:

- *Stainless steel heat exchanger rated up to 6,000 lbs NH3/hr
- *Economically priced
- *Compact design

NH3500 Low Rate Kit Available:

- *Stainless steel heat exchange rated for 600 to 2800 lbs NH3/hr

LIQUIFIER ULTRA LOW RATE

PART# 01815



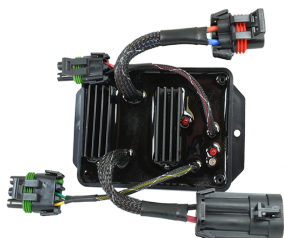
Specifications:

- *11 GPM @ 100 psi Tank Pressure

Features:

- *Stainless steel heat exchanger rated for 600 to 2800** lbs NH3/hr
- **Delivery rates are dependent on tank pressure and plumbing

12-Volt Pump Flow Control



PART# 01757 \$873.00 A
STANDARD

PART# 01758 \$873.00 A
PWM

The Electric Motor Drive (EMD) enables all of our rate controllers, SpayMate II, MT-2405F II, SprayMate Plus, RateKing Plus, RateKing Dual Plus and RoadMaster, to control the rate of flow by regulating the speed of a 12 volt pump. It can also be integrated into most major-brand control systems.

Precise, accurate and effective control of application rate is accomplished with the EMD. It is ideal for controlling low-rate starter fertilizer and seed drills and planters.

The EMD replaces the electric servo valve and will control most 12v pumps with up to a max of 40 amps.

The system can be purchased as a part of a customized kit complete with control console, speed sensor and flowmeter, or if you presently own one of the controllers listed above, you can just add the EMD Kit and use your existing console and components.

Installation is easy; install on your planter sprayer set up or custom ATV.

Astro GPS Speed Sensors



PART# 01410 Astro II \$543.00 A

PART# 01425 Astro 5 \$725.00 A

**Two models to choose from:
the economic Astro II or super-fast Astro 5**

Great Price. Compact. Accurate. Durable.

- * The Astro GPS Speed Sensors are a direct replacement for magnetic wheel speed sensors or radar guns and can interface to most brands of monitors and controllers.
- * The magnetic mount bracket is standard and allows for quick installation and easy transfer from one vehicle to another. Optional vacuum mount kits available.
- * Not affected by crop canopies or adverse ground conditions.
- * Improve productivity and efficiency!

The Astro includes 2 red status lights on the interface module:

- * **POWER:** turns on when power is applied to the unit.
- * **VALID GPS:** blinks when the GPS receiver is working but has not yet acquired satellites.

MC-25 MANUAL CONTROLLER

PART# 01068 \$635.00 A



Applications:

- * Control motor speed on any 12-volt pump to vary output
 - * Provides accuracy over a wide range of RPM's
- * Used for low volume starter fertilizer on drills and planters

Features:

- * Manual Speed Control for 12-Volt Pumps
 - * Built-in circuit breaker
- * Available with or without pressure gauge bracket
 - * Mounts in the tractor cab for easy access
- * On/Off Control Switch with power indicator lamp
 - * 10' and 20' Motor Extension Cables Available

At-plant Electric System Control

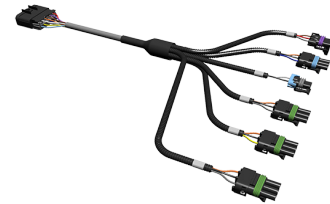
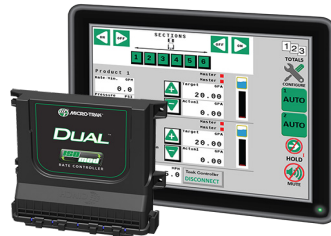
- * Precision control, simplified plumbing and maximum range
- * Reduce unexpected maintenance on your planters liquid system
- * 2 products can be controlled with single controller
- **All with the ease of electric pumps

Choose your controller

- single or dual product Plus Series Controller
- DUAL ISOmod Controller
- DirectConnect Interface to 3rd party control module

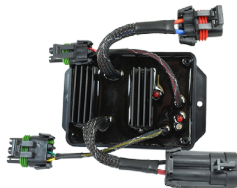
John Deere
Trimble

Case IH
AgLeader



To Complete System

- single or dual pump kit
- PWM Electric Motor Driver
- Flowmeter



Simplify your liquid system while MAXIMIZING performance!
Call for pricing.

CUSTOMIZED SYSTEMS

CHOOSE ONE FROM EACH CATEGORY TO CUSTOM BUILD
 A COMPLETE SYSTEM TO FIT YOUR APPLICATION



A. CONSOLE WITH MAIN HARNESS		
PART#	DESCRIPTION	PRICE
01341	SPRAYMATE II	1,103.00 A
01226	MT-2405F WITH UNIVERSAL HARNESS	872.00 A
01878	RATEKING Plus	1,931.00 A
01899	RATEKING DUAL Plus	3,294.00 A



B. GROUND SPEED SENSOR		
PART#	DESCRIPTION	PRICE
14214	RADAR ADAPTER FOR JOHN DEERE 7000, 8000 & 9000 SERIES	131.00 A
14215	RADAR INTERFACE DICKEY-JOHN AMP CONNECTOR	197.00 A
14217	RADAR INTERFACE DICKEY-JOHN DEUTCH CONNECTOR	197.00 A
14218	RADAR INTERFACE DICKEY-JOHN FORD CONNECTOR	197.00 A
14219	RADAR INTERFACE DICKEY-JOHN PACKARD CONNECTOR	197.00 A
14220	RADAR INTERFACE PHILIPS/MAGNAVOX	197.00 A
14221	RADAR INTERFACE RAVEN	197.00 A
01531	MAGNETIC SPEED SENSOR KIT	277.00 A



C. FLOWMETER KITS		
PART#	DESCRIPTION	PRICE
01500	FM500 POLY FLOWMETER KIT (1/2" FPT .5-5 GPM)	533.00 A
01501	FM750GFN NYLON FLOWMETER KIT (3/4" FPT 2-40 GPM)	533.00 A
01504	FM750SS STAINLESS FLOWMETER KIT (3/4" FPT 2-40 GPM)	960.00 A
01505	FM1000SS STAINLESS FLOWMETER KIT (1" FPT 3.5-70 GPM)	1,041.00 A
01515	FLOWMASTER 270 POLY FLOWMETER KIT (2" FLANGE 2-70 GPM)	874.00 A
01506	FM1500SS STAINLESS FLOWMETER KIT (1-1/2" FPT 10-130 GPM)	1,369.00 A



D. LIQUID FLOW CONTROL (SERVO) VALVE KIT		
PART#	DESCRIPTION	PRICE
19093	1" SERVO VALVE KIT 150 PSI	440.00 A
19096	1" FLANGED SERVO VALVE KIT	615.00 A





REPLACEMENT PARTS

MAIN HARNESSES

PART#	CABLE	USED WITH	PRICE
10415	Main Wiring Harness	MT-3000	516.90 A
14318	Power & Boom Harness	MT-3405 & 9000	527.23 A
14319	Console Boom Branch Harness	MT-3405 & 9000	289.06 A
14320	Flow, Servo, R/H Harness	MT-3405 & 9000	201.56 A
14313 F	Flow, Servo, Boom Harness	Spraymate II	316.63 A
11039	NH3 Main Harness	MT-3000	426.69 A
11037	NH3 Flow, Servo, Shutoff Cable	MT-3000	132.38 A
13273	NH3 Flow, Servo, Shutoff Cable	All current consoles	516.83 A

FLOWMETER PARTS

PART#	DESCRIPTION	PRICE
10137	Teflon gasket FM750SS, FM750N, FM1000SS	10.05 A
10605	O-ring FM500	5.94 A
14836	Turbine FM750GFN, N, SS, FM1000SS, FM1500SS	159.74 A
13783	Quad O-ring FM750GFN	12.85 A
20182	Turbine FM500	117.74 A
11277	Bearing, Gasket Kit FM750, FM1000, FM1500	103.00 A

NH3 SYSTEM PARTS

MOUNTING ACCESSORIES

PART#	DESCRIPTION	PRICE
10899	FM750N Flowmeter (NH3500)	1,136.67 A
12274C	FM1500SS Flowmeter (Liquifier)	1,341.00 A
19102B	NH3 Servo Valve	1,554.00 A
10233	Steel Vapor Tube	66.37 A
11008	3/8" FPT x 3/8" Vapor Tube (NH3500)	30.49 A
11009	3/4" MPT x 3/8" Vapor Tube (NH3500)	31.44 A

PART#	DESCRIPTION	PRICE
10049	Mounting Bracket 84C Calc, FlowTrak	14.27 A
13181	Console Mounting Kit (base products)	35.84 A
13254	Console Mounting Kit MT-9000	68.41 A
10013	Mounting Bracket Speed Sensor	17.39 A
10080	Magnet Clip	11.47 A
12069	Magent Kit (6 magnets for speed)	18.79 A

FLOWMETER SENSOR CABLES

MAGNETIC SPEED SENSOR CABLES

PART#	USED WITH	PRICE
10132	84C FlowTrak	116.86 A
10417	MT-3000/5000	97.81 A
13096	All current consoles	136.28 A

PART#	USED WITH	PRICE
10074	84C Calc, FlowTrak	114.85 A
10416	MT-3000/5000	76.54 A
13096	All Current Consoles	136.28 A



EXTENSION CABLES

METRIPAK EXTENSION CABLES

PART#	DESCRIPTION	PRICE
13200	2-pin - 5' M/P Extension	76.07 A
13201	2-pin - 10' M/P Extension	82.11 A
13202	2-pin - 15' M/P Extension	88.76 A
13203	2-pin - 20' M/P Extension	92.65 A
13204	2-pin - 25' M/P Extension	100.24 A
13205	3-pin - 5' M/P Extension	84.06 A
13206	3-pin - 10' M/P Extension	89.74 A
13207	3-pin - 15' M/P Extension	100.89 A
13208	3-pin - 20' M/P Extension	107.30 A
13209	3-pin - 25' M/P Extension	114.53 A
14146	7-pin - 5' M/P Extension	199.57 A
14147	7-pin - 10' M/P Extension	288.71 A
14103	7-pin - 15' M/P Extension	373.43 A
14236	7-pin - 20' M/P Extension	453.84 A
14237	7-pin - 25' M/P Extension	592.42 A
13220	10-pin - 5' M/P Extension	146.09 A
13221	10-pin - 10' M/P Extension	174.46 A
13222	10-pin - 15' M/P Extension	199.49 A
13223	10-pin - 20' M/P Extension	238.95 A
13224	10-pin - 25' M/P Extension	281.56 A
14142	10-pin - 50' M/P Extension	519.51 A
14363	10-pin - 5' M/P 5/5 Extension	154.61 A
14316	10-pin - 10' M/P 5/5 Extension	229.24 A
14317	10-pin - 15' M/P 5/5 Extension	275.59 A
14364	10-pin - 20' M/P 5/5 Extension	338.56 A
14365	10-pin - 25' M/P 5/5 Extension	398.09 A
14419	10-pin - 50' M/P 5/5 Extension	683.44 A

WEATHERPAK EXTENSION CABLES

PART#	DESCRIPTION	PRICE
11560	2-pin - 5' W/P Extension	60.13 A
11561	2-pin - 10' W/P Extension	69.84 A
11671	2-pin - 15' W/P Extension	75.99 A
11672	2-pin - 20' W/P Extension	77.60 A
10450	3-pin - 5' W/P Extension	78.44 A
10449	3-pin - 10' W/P Extension	87.93 A
10876	3-pin - 15' W/P Extension	100.26 A
10829	3-pin - 20' W/P Extension	110.94 A
11462	3-pin - 25' W/P Extension	121.42 A
11050	6-pin - 5' W/P Extension	142.08 A
11051	6-pin - 10' W/P Extension	176.16 A
11052	6-pin - 20' W/P Extension	247.08 A





Wilger Electronic Flow Monitoring (EFM) System

Designed for AgChemical & Liquid Applications

The Wilger Electronic Flowmeter (EFM) is a fully serviceable electronic flowmeter & monitoring system specifically designed for agricultural chemical & liquid applications. Like visual ball flow indicators, the EFM system monitors variations in flow rate, but has the patented electronic flowmeters feature stabilizing jets for improved flow rate accuracy and consistency across a broad flow range. Plus, as part of Wilger's O-ring seal (ORS) fittings, the EFM can be easily configured as a new system or retrofitted into an existing visual flow indicator system as an electronic upgrade. Relying on wireless ECU technology and a user-friendly Android interface, the Wilger EFM eliminates sole reliance on visual flowmeter monitoring--delivering real-time, row-by-row monitoring accuracy and precision performance even in dark conditions.



System Highlights:

- * Monitoring up to 196 meters on up to 10 sections
- * Customizing & monitor up to 3 products simultaneously
- * Compact & low maintenance--components are completely serviceable & replaceable
- * ORS design enables retrofit installation into existing systems
- * Eliminates visibility difficulties when applying dark liquids or during dark/dusty conditions
- * Keyed Deutsch connectors ensure correct connections
- * Easy to install, Easy to use--wireless WI-FI connection to in-cab Android tablet (no data required); Tablet not included
- * Stabilizing jets accurately measure flow rates of 0.024 - 1.5 US GPM

**** CALL FOR SYSTEM DESIGN AND PRICING****

CR7



The CR7 is a 7-inch lightweight field computer with customizable in-job layouts. A simple widget concept, easily accessible settings, and ISO Universal Terminal and Task Controller capabilities make this mighty unit an affordable, plug-and-play system. The CR7 is compatible with Slingshot file transfer and remote support, SmarTrax autosteering, AccuBoom, Raven serial consoles, and more.



FEATURES & BENEFITS

- * Multiple language support and customizable units
 - * Simplified, customizable widget layout
 - * Ability to access settings page from inside a job
 - * Map-based navigation
- * Auto field boundaries keep you organized automatically
 - * Interactive field/job list and map view
- * Slingshot-ready for file transfer, remote support, and OTA software updates
- * Compatible with Raven AccuBoom, control consoles, and external lightbar support
- * ISO Virtual Terminal and Task Controller functionality via unlock or subscription
 - * Straight A-B, A plus heading, pivot, contour, and last pass guidance
- * Compatible with autosteer products including SmarTrax and SmarTrax MD
 - * Sub-meter single frequency GPS and GLONASS with compatible receiver
 - * Scalable GPS upgrades and VRA unlocks with compatible receiver

CALL FOR PRICING



RAVEN RATE CONTROL MODULE

The RCM uses Raven's innovative control algorithms to make it the most precise application controller on the market today.

It fits a variety of applications - up to five product liquid and granular control, NH3 (including Accu-Flow HP+), air cart and generic applicators. Sixteen-section control eliminates expensive skips and overlaps for all phases of your operation, from spraying to NH3, and fertilizer application to planting.

RCM is the ultimate advancement in precision and efficiency, and the next solution for your operation's success.

Features & Benefits



- * Easily navigate and manage multiple products, tallies and sensor data
- * Diagnostic tests and reading to easily calibrate, tune and troubleshoot system
- * Compatible with ISOBUS Universal Terminals and Task Controllers
- * Multi language support
- * IP 67 environmental rating for the harshest of environmental conditions
- * Dynamically configure run screen based on operator preferences to show most relevant data during operation

PART#	DESCRIPTION - Module & ISOBUS Harness, Kit	PRICE
117-7100-001	RCM Level 0, Gen 3 harness	5,459.00 A
117-7100-002	RCM Level 1, Gen 3 harness	6,231.50 A
117-7100-003	RCM Level 2, Gen 3 harness	7,333.54 A
117-7100-004	RCM Level 0, Gen 1 harness	5,150.00 A
117-7100-005	RCM Level 1, Gen 1 harness	5,922.50 A
117-7100-006	RCM Level 2, Gen 1 harness	7,036.53 A
	DESCRIPTION - Raven Flow Cables	
	(All adapter harnesses work with John Deere Rate Control 2000)	
		PRICE
115-7347-055	6' Liquid, 6 Section Weatherpack	948.89 A
115-7347-054	6' Liquid, 10 Section Weatherpack	991.38 A
115-7347-051	6' NH3, Single Section	710.62 A
115-7347-005	6' NH3, 3 Section	1,370.23 A
115-7347-004	6' NH3, 6 Section	1,876.25 A
	DESCRIPTION - Adapter Cabels	
		PRICE
115-7347-008	47 pin to 37 pin (RCM to Greenstar cable)	518.78 A
115-7347-012	47 pin to 16 pin (RCM to Raven SCS cable)	548.09 A
21400	37 pin to 16 pin (Greenstar to Raven SCS cable)	213.21 A

SPRAY CONTROLLERS



PART#	DESCRIPTION	PRICE
063-0171-183	440 CONSOLE 3-BOOM	1,593.28 A
063-0171-220	450 CONSOLE 6-BOOM	2,829.67 A

RAVEN SCS 440/450 SPRAYER CONTROL

RAVEN SCS 440/450 SPRAYER CONTROLLERS PROVIDE PRECISION SINGLE PRODUCT AUTOMATIC RATE CONTROL WITH THE FLEXIBILITY OF UP TO 7 BOOM SECTION INPUTS. TWO SEPARATE APPLICATION RATES CAN BE PROGRAMMED INTO THE CONTROLLERS AND SELECTED ON-THE-GO WITH THE FLIP OF A SWITCH. APPLICATION RATES CAN BE OVERRIDDEN TO ACCOMMODATE SPOT SPRAYING NEEDS EVEN WHEN IN AUTOMATIC.

THE SCS 440/450 CONSOLES ARE GPS COMPATIBLE FOR VARIABLE RATE APPLICATION AND DATA LOGGING. ALL LOGGED DATA CAN BE DOWNLOADED FOR USE IN DETERMINING FUTURE APPLICATION INFORMATION. USER FRIENDLY PROGRAMMING, NONVOLATILE MEMORY, EASY TO READ LIGHTED DISPLAY AND DATA LOCK, COMBINED WITH THE RELIABILITY, ACCURACY AND AFFORDABILITY OF RAVEN SYSTEMS MAKE THESE CONSOLES THE RIGHT CHOICE FOR SINGLE PRODUCT CHEMICAL APPLICATION.

SPRAY CONTROLLERS

RAVEN SCS 4400+ CONSOLE



SCS 4400+ CONSOLE

PART# 117-0159-924

\$3,867.52 A

FOR YOUR CONVENIENCE AND SIMPLICITY, THE RAVEN SCS4400+ GIVES YOU SPRAYER CONTROL AND DATA LOGGING IN THE SAME UNIT.

- EASY TO READ DISPLAY
- GROUND SPEED COMPENSATED AUTO RATE CONTROL
- GPS COMPATIBLE
- 3-10 BOOM CONTROL
- LOW-LIMIT FUNCTION
- MULTIPLE AUDIBLE ALARMS
- DATALOG AS-APPLIED MAPS TO COMPACT FLASH
- 1/4 MONOCHROME DISPLAY
- 2 PROGRAMMABLE PRESET RATES
- PROGRAM DATA LOGGER THROUGH KEYPAD
- SERIAL INTERFACE CAPABILITIES
- COLLECTS ON-THE-GO APPLICATION INFORMATION
- EASY TO INSTALL AND OPERATE
- STORES INFORMATION IN SHAPEFILE OR ASCII FORMAT
- CONNECTS TO ANY NEW OR EXISTING GPS RECEIVER
- COMPATIBLE WITH COMMON MAPPING PROGRAMS
- AVAILABLE WITH BASIC MAP-VIEWING SOFTWARE

RAVEN ICD INJECTION PUMPS, SIDEKICK PRO



The new Sidekick Pro injection system has all the benefits of the standard Sidekick system but has a more advanced system design. The system uses a high resolution encoder for smooth pump control. The new automatic closed-system calibration is simple and fast. No more catch tests. The Sidekick Pro is compatible with the Raven line of field computers and the SCS 4000 series and SCS 5000 series spray consoles.

PART#	DESCRIPTION	PRICE
063-0173-771	ICD pump, with tank, 1-40 oz/min	8,336.97 A
063-0173-772	ICD pump, with tank, 5-200 oz/min	8,336.97 A
063-0173-780	ICD pump, less tank, 5-200 oz/min	7,902.68 A
063-0173-781	ICD pump, less tank, 1-40 oz/min	7,902.68 A

SPEED SENSORS, FLOWMETERS & FLOWMAX 220

RAVEN RADAR & SPEED SENSORS



PART#	DESCRIPTION	PRICE
063-0159-484	WHEEL DRIVE SPEED SENSOR	610.41 A
063-0159-730	DRIVE SHAFT SENSOR	554.40 A
063-0171-669	FLOWMETER SENSOR	300.47 A
063-0172-004	FLOWMETER SENSOR (HIGH PULSE)	356.61 A

RAVEN FLOWMETERS



RFM-60P



RFM-15

NEW PART#	OLD PART#	DESCRIPTION	PORT	PRICE
063-0172-058	063-0172-040	.3 TO 15 GPM POLY	M200 FLANGED	572.31 A
063-0171-985	063-0171-793	1 TO 60 GPM POLY	M200 FLANGED	783.90 A



RFM100

RFM200



NEW PART#	OLD PART#	DESCRIPTION	PORT	PRICE
063-0173-578	063-0171-066	5 TO 100 GPM POLY	BANJO FLANGED	1,159.81 A
063-0159-579	063-0159-751	15 TO 200 GPM	3" FPT X 3" FPT	1,739.87 A



RFM-60S

NEW PART#	OLD PART#	DESCRIPTION	PORT	PRICE
063-0173-867	063-0171-666	1 TO 60 GPM STAINLESS	1-1/2" FPT	1,249.13 A

CONTROL VALVES

POLY BUTTERFLY VALVES



ALL POLYPROPYLENE CONSTRUCTION
 FEATURES HIGH TORQUE,
 12V DC MOTOR.
 175 PSI RATING FOR USE WITH
 CHEMICALS
 AND LIQUID FERTILIZERS

PART#	DESCRIPTION	PRICE
063-0171-894	1-1/2" Valve	581.23 A
063-0171-120	3/4" Valve	319.93 A
063-0171-896	1-1/2" Valve Banjo Flanged	645.81 A
063-0172-125	1" Valve w/1" FPT Banjo Flanged	517.50 A

PWM HYDRAULIC VALVE

PART#	DESCRIPTION	PRICE
063-0171-842	0-10 GPM	1,255.51 A



NH3 VALVES

1" CARBON STEEL BUTTERFLY VALVE, 12-VOLT FOR USE WITH HIGH
 VOLUME APPLICATIONS, 400 PSI RATING. VITON O-RINGS & SEALS.
 (SHOWN)



NEW PART#	OLD PART#	DESCRIPTION	PRICE
063-0173-877	063-0172-977	Control Valve 1"	962.35 A
063-0173-876	063-0172-978	On-Off Butterfly Valve 1"	955.97 A
063-0173-878	063-0172-979	Fast Valve 1"	1,355.45 A

BOOM VALVES

PART#	DESCRIPTION	PRICE
063-0171-926	SINGLE	373.47 A
063-0171-928	3 SECTION	1,096.18 A



FEATURES:
 Inlet Size Mates with M200 Series Banjo Fitting
 Outlet Size is 3/4" Female NPT or Mates with M100 Series
 Max Working Pressure is 175 PSI
 Flow is 40 GPM at 10 PSI Pressure Drop. CV is 13
 Plunger Style Valve for complete shut-off

RAVEN CONTROL CABLE COMPONENTS

SCS 440 PART#	DESCRIPTION - 6 PIN MOLDED CONNECTOR	PRICE
115-0159-418	Console Cable 10'	577.37 A
115-0159-404	Flow Control 6'	374.12 A
115-0159-405	Flow Control 12'	461.03 A
115-0159-409	Flow Control Extension 12'	422.73 A
115-0159-414	Flow Control Extension 24'	509.63 A
SCS 440/450	DESCRIPTION - 16 PIN AMP CONNECTOR W/WEATHER PACK	PRICE
115-0171-085	Console Cable 10'	628.94 A
115-0159-858	Flow Control, 3 Boom 6'	483.12 A
115-0171-055	Flow Control, 3 Boom 12'	608.32 A
115-0171-086	Flow Control, 6 Boom 6'	658.39 A
115-0171-129	Flow Control, 6 Boom 12'	711.42 A
115-0159-856	Flow Control Extension 12'	670.18 A
115-0159-857	Flow Control Extension 24'	658.39 A
SCS 440/450	DESCRIPTION - 16 PIN AMP CONNECTOR W/SPADE ENDS	PRICE
115-0159-859	Flow Control, 3 Boom 12'	494.90 A
115-0159-495	Flow Control, 7 Boom 6'	384.44 A
115-0159-496	Flow Control, 7 Boom 12'	493.43 A
SCS 440/450	DESCRIPTION - NH3	PRICE
115-0171-800	Flow Control, Single Section 12'	683.42 A
115-0171-836	Flow Control, 3 Section 12'	1,362.44 A
115-0171-807	Adapter, Old Flow to New NH3 Control	220.93 A
115-0171-808	Adapter, Old Flow to New NH3 On/Off	220.93 A



RADAR SPEED SENSOR INTERFACE CABLES

RADAR TYPE	VEHICLE TYPE	CONSOLE W/REV. "E" OR LATER	PRICE "E"
Raven Radar to 3rd Party Adapter	John Deere	115-0159-550	162.16 A
	Case-IH	115-0159-551	304.99 A
3rd Party Radar to Raven Speed Sensor Cable	Dickey-John/Vansco	115-0159-529	451.69 A
	Ford Gen/Vers/New Holland	115-0159-709	276.73 A
	John Deere w/Magnavox Radar	115-0159-519	423.88 A
	7000/8000/9000/10 & 20 Series	115-0159-700	195.70 A
	30 Series	215 100	139.05 A
	Starfire to Raven	215 007	205.49 A
	Case IH MX or STX in Cab	115-0159-517 115MXR	469.70 A 89.25 A
	CAT Challenger 65 or 75 Series	115-0159-518	352.82 A
	65 C/D, 75 C/D, 85D Row Crop	115-0159-627	236.56 A



**1990 Model year or later w/factory installed performance monitor.

SENTRY 6120



PART#	DESCRIPTION	PRICE
90-02846	Sentry 6120 System w/US Lighter Cable	1,498.58 A
90-02848	Sentry 6120 System w/Battery Leads	1,506.39 A
75-30118	Console, Sentry 6120	1,076.00 A
404-0045	Extension Cable, 18'/5m	152.92 A
404-0039	Extension Cable, 25'/8m	169.22 A



- * Provides real time operating pressure and corresponding droplet size category feedback for liquid applications
 - * Bright backlight adjustable touch screen
- * Image-based Tip Series and Tip Capacity settings allow for simple one-touch selection to choose your spray tip
- * Tip Capacity selection setting uses ISO color coding as well as text for easy identification and selection
- * Low Alarm and High Alarm alert operator when system pressure drops below or rises above the current pressure set point
 - * Choose your unit of measurement setting: either US or metric
 - * Save up to five spray tips to your "favorites" for quick setting retrieval



UNIPILOT

PART#	DESCRIPTION	PRICE
91-05039	Kit, UniPilot Pro, No WAS, Matrix	10,275.72 A

- * Easy to Use and Even Easier to Install - Simply install a single, universal bracket onto the steering column and mount the UniPilot motor
- * Improved Portability for Year-Round Use - UniPilot utilizes a universal mounting kit to fit wide range of vehicles. UniPilot can also be moved between vehicles with minimal effort; allowing you to maximize your investment and utilize it for multiple operations throughout the growing season
 - * UniPilot Adapts to Your Field Conditions and Your Location Tilt compensation and gyro-stabilization are standard features that automatically correct side slope positional errors and ensure accuracy in all your field operations

MANUAL CONTROLS & VALVES



744A Manual Sprayer Control

- Manual spray controller in a compact package
- Choice of Dry or Liquid filled gauge
- Heavy-duty switches with LED indicators
- Available in a variety of kit forms using solenoid valves
- Directo Valve shutoff ball valves are ordered separately

744A MANUAL CONTROL KITS				
PART#	Control Kit#	Qty per/kit	Kits using 144A & 244C Valves	Price
90-50161	AAK744A-100L-30S	1	744A-100L-3 Sprayer Control Unit	579.23 A
		1	244C-3/4 Pressure regulating valve No valve	
90-50163	AAK744A-100L-33S	1	744A-100L-3 Sprayer Control Unit	928.52 A
		1	244C-3/4 Pressure regulating valve	
		3	144A Directo Valve Boom Section Valves	
90-50177	AAK744A-100L-33P	1	744A-100L-3 Sprayer Control Unit	1,253.47 A
		1	244C-3/4 Pressure regulating valve	
		3	144P Directo Valve Boom Section Valves	

SPRAYING SYSTEMS SOLENOID VALVES					
PART#	INLET	OUTLET	MAX PSI	GPM	PRICE
AA144A-1	3/4"	1/2"	100	10	157.16 A
AA144A-2	3/4"	1/2"	100	10	318.36 A
AA144A-3	3/4"	1/2"	100	10	479.58 A
AA144P-1	3/4"	1/2"	100	10	216.58 A
AA144P-3	3/4"	1/2"	100	10	649.56 A



AA144A-1



AA144A-3



AA144P-3

PRESSURE REGULATING BUTTERFLY VALVE

Butterfly Valve for 744A

The TeeJet butterfly valve provides remote pressure control and features a two-wire lead for use in 12 VDC systems. Its quality design features good consumption of 0.15 amp and 3/4" NPT or BSPT (F) connections.

Features:

Pressure drop of 5 PSI (0.35 bar) for 45 GPM (170 l/min) flow.
Maximum operating pressure is 100 PSI (7 bars).



PART# AA244C-3/4 \$189.55 A

FLOW, PRESSURE & SPEED SENSORS

TEEJET SPEED SENSORS		
PART#	DESCRIPTION	PRICE
16-40007	Wheel speed sensor kit (2 magnets)	542.68 A
16-40012	Wheel speed sensor kit (4 magnets)	698.17 A
16-40003	Wheel speed sensor only	214.30 A
16-40013	Single magnet assembly	120.00 A
16-40004	Proximity speed sensor	150.19 A

Proximity Sensor



TeeJet proximity sensors are reliable and easy to use because they do not require magnets and will produce a signal from any metal object.

- *Built-in LED at sensor.
- *Weather resistant connector.
- *Reverse polarity protected.

Magnetic Sensor



The Magnetic speed sensor kit is designed for versatility and long life. All components are plated steel or aluminum, and each sensor is equipped with a built-in test light and waterproof connectors.

- *Built-in LED at sensor.
- *Weather resistant connector.
- *Reverse polarity protected.

TEEJET FLOWMETERS & PRESSURE SENSORS			
PART#	DESCRIPTION	RANGE	PRICE
90-50230	Kit, 801 Flowmeter w/1" hose barb	2.5-60 GPM	727.83 A
90-50231	Kit, 801 Flowmeter w/3/4" hose barb	2.5-60 GPM	727.83 A
90-50232	Kit, 801 Flowmeter w/1-1/4" hose barb	2.5-60 GPM	727.83 A
90-50233	Kit, 801 Flowmeter w/1-1/4" NPTF	2.5-60 GPM	727.83 A
57-10080	1/2" STD flowmeter w/1/2" hose barb	0.8-8 GPM	924.54 A
57-10096	3/4" STD flowmeter w/3/4" hose barb	1.9-37 GPM	935.38 A
57-10068	1" STD flowmeter w/1" hose barb	2.6-52.8 GPM	822.31 A
57-10081	1-1/2" STD flowmeter w/1-1/2" hose barb	9.2-92.5 GPM	969.52 A
57-10097	2" STD flowmeter w/2" hose barb	19-400 GPM	1,385.88 A
90-02476	Pressure sender, 1/4" NPT	0-145 PSI	457.00 A
90-02482	Pressure sender, 1/4" NPT	0-363 PSI	453.63 A



801
FLOWMETER



STANDARD
FLOWMETER



PRESSURE SENSOR

SPRAY CONTROLLERS



RC1B WP Boon Control System
w/Regulator Switch
100 PSI Gauge
1560A Regulator

PART# RC1BWP
\$678.26 A



RC1B WP 3 Boom Control System
w/Regulator Switch
100 PSI Gauge
1999A WP (3 Valve Bank)
Mounting Bracket
1541A Regulator

PART# 2040WP3
\$1,487.03 A



RC-10N

Remote Control System with 1560A pressure regulator, with solenoid shutoff valve.

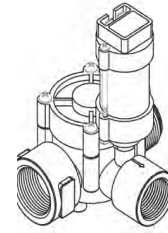
PART# RC-10N \$515.24 A



1560A Pressure Regulator

Recommended for flow rates up to 50GPM.
3/4" NPT Female Inlet/Outlet
3/4" Orifice

PART# 1560A \$217.86A



1999A Solenoid Valve

12-Volt DC Electric Boom Shutoff Valves have 1" NPT female outlete, 1" male bypass outlet and 3/4" NPT female boom line outlet for high volume applications at minimum pressure loss (pressure drop is only 5 PSI at 18 GPM). Max operating pressure, 175 PSI and 18 GPM.

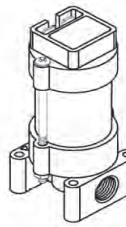
PART# 1999A-1 \$255.95 A



Chemical Isolator

with mounting bracket and 1/8" female NPT threads without tube fittings.

PART# GI-18 \$30.00 NET

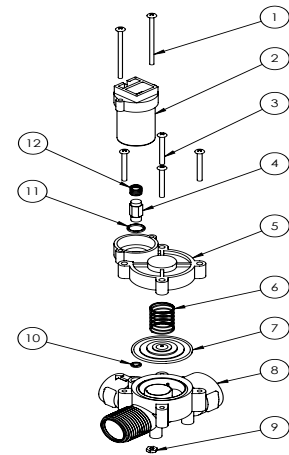


2201A Solenoid Valve

.148 Dia. Orifice, .45 CV Rating
1GPM, 125 PSI, 12-Volt DC, 1.1 Amp.
This is a good choice when large flow and high pressure are required.

PART# 2201A \$143.33 A

PART# 2201 \$50.00 NET



2501B Solenoid Valve

Use these valves anytime you need direct \ shut-off control with no bypass.

12 Volt DC shut-off
1/2" NPT Female Inlet/Outlet,
6 GPM, 150 PSI

PART# 2501B \$187.51 A

2504A Solenoid Valve

3WAY, 12 Volt
2GPM, 75 PSI
Weatherpack

PART# 2504BWP \$212.28 A



2202A Solenoid Valve


Ideal for small sprayers.
1/4" NPT Female Inlet
1.4" NPT Female Outlet
Weatherpack Connection

PART# 2202AWP \$127.26 A


1999A PARTS			
REF#	PART#	DESCRIPTION	PRICE
8	1962	Valve Body	49.02 A
7	*1974	Viton Diaphragm Assembly, Standard	64.63 A
7	#2109	Aflas Diaphragm Assembly, Optional	90.60 A
6	*#1975	Spring	9.96 A
5	1963	Valve Cover	56.74 A
10	*#1976	Viton "O" Ring 010	6.16 A
1	5305	6-32 x 2 5/8 Screw (Req 2)	N/A
9	5306	Hex Nut (Req 2)	N/A
11	*#1977	Viton "O" Ring 014	6.96 A
4	*2239	Plunger w/Viton Seat, Standard	43.98 A
4	#2240	Plunger w/Aflas Seat, Optional	49.83 A
12	*#1979	Plunger Spring	10.17 A
2	2515	Coil Assembly	118.87 A
2A	2520	Coil Assembly, Weather Pack	121.62 A
3	5307	No. 8 x 1 1/2" Screw (Req 4)	N/A
	2168	"O" Ring 022	4.57 A
	2517	Viton Repair Kit - *	87.30 A
	2518	Aflas Repair Kit - #	125.66 A


POLY - HOSE BARB/HOSE BARB ELBOW


90 SWEEP

HOSE BARB SCHD 80	
	
PART#	PRICE
BHB14	1.65 D
BHB1438	1.65 D
BHB1412	1.98 D
BHB3814	1.28 D
BHB38	1.78 D
BHB3812	1.78 D
BHB1214	1.50 D
BHB1238	1.78 D
BHB12	1.50 D
BHB1234	1.98 D
BHB3438	1.98 D
BHB3412	1.98 D
BHB3458	2.40 D
BHB34	1.63 D
BHB34100	2.40 D
BHB10034	2.40 D
BHB100	2.03 D
BHB100114	2.95 D
BHB11434	3.48 D
BHB114100	2.95 D
BHB114	2.95 D
BHB114112	5.65 D
BHB112100	4.43 D
BHB112114	4.43 D
BHB112	4.13 D
BHB112200	7.60 D
BHB200112	6.33 D
BHB200	4.90 D
BHB300	15.85 D
BHB400	40.88 D

HOSE BARB SCHD 40	
HB1814	0.74 D
HB14	0.74 D
HB3814	0.74 D
HB38	0.74 D
HB3812	0.80 D
HB3858	0.80 D
HB1214	0.80 D
HB1238	0.88 D
HB12	0.80 D
HB1258	0.88 D
HB1234	0.88 D
HB12100	3.00 D
HB3414	1.05 D
HB3438	1.05 D
HB3412	1.05 D
HB3458	1.05 D
HB34	1.05 D
HB34100	1.03 D
HB10034	2.48 D
HB100	2.61 D


FEMALE HOSE BARB SCHD 80	
	
PART#	PRICE
BFHB34	4.83 D
BFHB34100	4.03 D
BFHB100	3.43 D
FEMALE HOSE BARB SCHD 40	
FHB14	2.86 D
FHB1438	2.86 D
FHB3814	2.48 D
FHB38	2.48 D
FHB3812	2.48 D
FHB12	3.22 D
FHB34	3.58 D

HOSE BARB ELBOW SCHD 80	
	
PART#	PRICE
BHBE14	1.98 D
BHBE1438	1.98 D
BHBE1412	1.98 D
BHBE38	2.50 D
BHBE1238	1.98 D
BHBE12	1.98 D
BHBE1234	1.98 D
BHBE3412	2.50 D
BHBE34	2.08 D
BHBE34100	2.50 D
BHBE10034	3.18 D
BHBE100	2.65 D
BHBE100114	3.90 D
BHBE114100	3.90 D
BHBE114	3.90 D
BHBE114112	11.20 D
BHBE112114	11.20 D
BHBE112	9.33 D
BHBE200112	12.28 D
BHBE200	10.20 D
BHBE300	49.33 D


90 SWEEP HOSE BARB	
	
PART#	PRICE
HB075SW90	5.33 D
HB100SW90	6.89 D
HB125SW90	10.95 D
HB150SW90	11.73 D
HB200SW90	12.35 D
HB300SW90	42.33 D


POLY - MENDER/MENDER ELBOW/"Y" BARB BARB TEE


HOSE BARB ELBOW SCHD 40	
HBE1814	1.24 D
HBE1838	1.27 D
HBE14	1.27 D
HBE1438	1.29 D
HBE1412	1.32 D
HBE1458	2.48 D
HBE38	1.40 D
HBE3812	1.40 D
HBE3858	1.51 D
HBE1214	1.43 D
HBE12	1.43 D
HBE1258	1.71 D
HBE12100	2.75 D
HBE3438	1.76 D
HBE3414	1.51 D
HBE3412	1.87 D
HBE3458	1.95 D
HBE34	1.95 D
HBE10012	2.53 D
HBE10034	2.26 D

MENDER SCHD 80	
	
PART#	PRICE
BHM38	1.83 D
BHM12	1.90 D
BHM34	2.05 D
BHM100	2.50 D
BHM114	2.80 D
BHM112	4.95 D
BHM200	6.23 D
BHM300	19.40 D



MENDER SCHD 40	
HM18	0.55 D
HM14	0.74 D
HM38	0.80 D
HM1238	0.94 D
HM12	0.85 D
HM58	0.94 D
HM5812	0.96 D
HM34	1.10 D
HM100	1.40 D


MENDER ELBOW SCHD 80	
	
PART#	PRICE
BHME100	3.28 D
BHME200114	16.30 D
MENDER ELBOW SCHD 40	
HME14	1.16 D
HME38	1.27 D
HME12	1.27 D
HME58	1.27 D
HME34	1.68 D
HME100	1.93 D
HME114	10.47 D
HME112	10.47 D
HME200	19.50 D


"Y" BARB SCHD 40	
	
PART#	PRICE
YHB316	3.53 D
YHB516	2.78 D
YHB14	4.47 D
YHB38	4.65 D
YHB12	4.40 D

BARB TEE SCHD 80	
	
PART#	PRICE
BHBT14	3.43 D
BHBT38	2.20 D
BHBT12	3.43 D
BHBT1238	3.03 D
BHBT1234	3.43 D
BHBT3412	3.43 D
BHBT34	3.43 D
BHBT34100	2.90 D
BHBT100-34	3.00 D
BHBT100	3.60 D
BHBT200	13.68 D
BHBT300	38.03 D
BARB TEE SCHD 40	
HBT18	1.16 D
HBT14	1.46 D
HBT38	1.32 D
HBT3812	1.38 D
HBT1238	1.38 D
HBT12	1.38 D
HBT1234	5.83 D
HBT58	1.65 D
HBT3412	1.71 D
HBT34	1.71 D
HBT100	1.90 D
HBT114	5.47 D
HBT112	6.22 D
HBT200	16.74 D

POLY - MPT BARB TEE/FPT BARB TEE NIPPLES/REDUCER NIPPLE


MPT x HOSE BARB TEE SCHD 80	
	
PART#	PRICE
BHBTM100	9.95 D
BHBTM112100	24.95 D
BHBTM112	47.78 D
MPT x HOSE BARB TEE SCHD 40	
HBTM14	1.40 D
HBTM1438	1.43 D
HBTM1412	1.43 D
HBTM38	1.43 D
HBTM3812	1.57 D
HBTM1238	1.57 D
HBTM12	1.71 D
HBTM1234	2.01 D
HBTM3412	2.72 D
HBTM34	1.34 D
FPT x HOSE BARB TEE SCHD 40	
	
HBTF34	8.25 D
HBTF34114	9.25 D


CLOSE NIPPLE SCHD 80	
	
PART#	PRICE
BCN14	1.75 D
BCN38	1.90 D
BCN12	2.25 D
BCN34	2.25 D
BCN100	3.20 D
BCN114	2.93 D
BCN112	4.48 D
BCN200	5.08 D
BCN300	15.88 D
BCN400	29.65 D
CLOSE NIPPLE SCHD 40	
CN18	0.74 D
CN14	0.83 D
CN38	0.74 D
CN12	0.85 D
CN34	1.10 D
CN100	1.43 D


REDUCER NIPPLE SCHD 80	
	
PART#	PRICE
BRCN1238	2.98 D
BRCN3412	3.20 D
BRCN10012	4.13 D
BRCN10034	3.75 D
BRCN11434	4.33 D
BRCN114100	3.90 D
BRCN112100	4.65 D
BRCN112114	4.18 D
BRCN200114	5.68 D
BRCN200112	4.63 D
BRCN300200	15.80 D
REDUCER NIPPLE SCHD 40	
RCN1418	0.74 D
RCN3818	0.80 D
RCN3814	0.80 D
RCN1218	0.83 D
RCN1214	0.83 D
RCN1238	0.83 D
RCN3438	0.99 D
RCN3412	0.99 D



PIPE SIZE COMPARISON		
PART# CONTAINS	PIPE SIZE	APPROX. INCHES OUTSIDE
18	1/8"	1/4"
14	1/4"	1/2"
38	3/8"	5/8"
12	1/2"	3/4"
34	3/4"	1"
100	1"	1-1/4"
114	1-1/4"	1-5/8"
112	1-1/2"	2"
200	2"	2-3/8"
300	3"	3-1/2"
400	4"	4-1/2"

POLY - PIPE NIPPLE/REDUCER BUSHING THREADED TEE/CROSS

PIPE NIPPLE SCHD 80		
		
PART#	DESCRIPTION	PRICE
BN12-3	1/2" PIPE x 3" LONG	3.75 D
BN34-4	3/4" PIPE x 4" LONG	3.90 D
BN34-6	3/4" PIPE x 6" LONG	4.63 D
BN100-4	1" PIPE x 4" LONG	4.18 D
BN100-6	1" PIPE x 6" LONG	5.15 D
BN114-4	1-1/4" PIPE x 4" LONG	5.15 D
BN114-6	1-1/4" PIPE x 6" LONG	5.88 D
BN112-3	1-1/2" PIPE x 3" LONG	6.45 D
BN112-4	1-1/2" PIPE x 4" LONG	11.03 D
BN112-6	1-1/2" PIPE x 6" LONG	12.98 D
BN200-3	2" PIPE x 3" LONG	6.50 D
BN200-4	2" PIPE x 4" LONG	10.68 D
BN200-6	2" PIPE x 6" LONG	12.45 D
BN300-4	3" PIPE x 4" LONG	23.85 D
BN300-6	3" PIPE x 6" LONG	30.75 D
PIPE NIPPLE PVC		
BN12-12	1/2" PIPE x 12" LONG	4.95 D
BN100-12	1" PIPE x 12" LONG	6.09 D
BN200-12	2" PIPE x 12" LONG	18.47 D



CROSSES SCHD 80	
	
PART#	PRICE
BCR14	15.63 D
BCR38	17.15 D
BCR12	26.55 D
BCR34	26.55 D
BCR100	26.55 D
BCR114	39.58 D
BCR112	39.85 D
BCR200	40.40 D



REDUCER BUSHING SCHD 80	
	
PART#	PRICE
BRB3814	3.90 D
BRB1214	3.25 D
BRB1238	3.90 D
BRB3414	3.90 D
BRB3438	3.90 D
BRB3412	3.90 D
BRB10014	4.18 D
BRB10012	4.18 D
BRB10034	3.45 D
BRB11434	4.18 D
BRB114100	4.18 D
BRB11234	5.50 D
BRB112100	5.50 D
BRB112114	5.50 D
BRB20034	4.98 D
BRB200100	4.98 D
BRB200114	5.98 D
BRB200112	4.98 D
BRB300112	24.90 D
BRB300200	20.75 D
BRB400300	38.63 D
REDUCER BUSHING SCHD 40	
RB3818	2.61 D
RB3814	1.90 D
RB1214	2.17 D
RB1238	1.90 D
RB3418	3.08 D
RB3414	2.37 D
RB3438	2.37 D
RB3412	2.37 D
RB10012	2.81 D
RB10034	2.17 D



THREADED TEE SCHD 80	
	
PART#	PRICE
BTT14	5.60 D
BTT38	5.78 D
BTT12	5.08 D
BTT34	5.43 D
BTT100	7.85 D
BTT114	10.85 D
BTT112	12.35 D
BTT200	16.13 D
BTT300	73.25 D
THREADED TEE SCHD 40	
TT12	5.00 D
TT34	5.00 D
1/4" GAUGE TEE SCHD 80	
	
BGTT34	26.33 D
BGTT100	26.33 D
1/4" GAUGE TEE SCHD 40	
GTT12	3.77 D
GTT34	8.67 D




POLY - COUPLERS/ REDUCER COUPLER/STREET ELBOW/THREADED ELBOW/PLUG/CAP

COUPLER SCHD 80	
	
PART#	PRICE
BCP14	5.33 D
BCP38	5.98 D
BCP12	5.98 D
BCP34	5.70 D
BCP100	5.68 D
BCP114	9.18 D
BCP112	12.70 D
BCP200	14.50 D
BCP300	41.00 D
REDUCER COUPLER SCHD 80	
	
RCP1438	PRICE
BRCP10034	8.85 D
BRCP112100	15.05 D
BRCP112114	15.05 D
BRCP20012	16.00 D
BRCP200100	13.30 D
BRCP200114	16.00 D
BRCP200112	13.30 D
BRCP300200	47.25 D

STREET ELBOW 90 SCHD 80	
	
PART#	PRICE
BSE14	4.30 D
BSE38	5.03 D
BSE12	4.58 D
BSE34	4.88 D
BSE100	5.78 D
BSE114	7.95 D
BSE112	11.25 D
BSE200	13.35 D
BSE300	67.93 D
STREET ELBOW 45 SCHD 80	
	
PART#	PRICE
SE14-45	3.85 D
BSE34-45	9.43 D
BSE100-45	12.68 D
BSE114-45	15.68 D
BSE112-45	15.93 D
BSE200-45	18.03 D
BSE300-45	74.63 D

THREADED ELBOW 90 SCHD 80	
	
PART#	PRICE
BTE14	4.30 D
BTE38	5.80 D
BTE12	5.25 D
BTE34	4.73 D
BTE100	5.55 D
BTE114	8.35 D
BTE112	12.48 D
BTE200	12.95 D
BTE300	65.88 D
THREADED ELBOW 45 SCHD 40	
	
PART#	PRICE
BTE100-45	18.00 D

PLUG SCHD 80	
	
PART#	PRICE
BPL18	4.18 D
BPL14	4.18 D
BPL38	4.18 D
BPL12	4.18 D
BPL34	4.18 D
BPL100	4.18 D
BPL114	5.45 D
BPL112	5.45 D
BPL200	5.45 D
BPL300	26.08 D

CAP SCHD 80	
	
PART#	PRICE
BCAP38	3.20 D
BCAP12	8.03 D
BCAP34	8.03 D
BCAP100	6.70 D
BCAP114	9.03 D
BCAP112	11.38 D
BCAP200	13.18 D
BCAP300	47.13 D

GARDEN HOSE FITTINGS





GARDEN HOSE FITTINGS		
PART#	DESCRIPTION	PRICE
GHFT075A	3/4" Adapter x 3/4" GH Female Thread	6.90 D
GHMT075B	3/4" Coupler x 3/4" GH Male Thread	21.33 D
GHFT075D	3/4" Coupler x 3/4" GH Female Thread	24.15 D
GHMT075F	3/4" Adapter x 3/4" GH Male Thread	6.90 D
GHFT075MPT	3/4" Male NPT x 3/4" GH Female Thread	5.95 D
GHMT075FPPT	3/4" Female NPT x 3/4" GH Male Thread	5.95 D
GHMT075MPT	3/4" Male NPT x 3/4" GH Male Thread	6.90 D


FEMALE GH END CAP		
PART#		PRICE
GEC34	3/4"	0.68 D
FEMALE GH x FPT		
PART#		PRICE
GFF12	1/2"	2.09 D
MALE GH x FPT		
PART#		PRICE
GFP14	1/4"	2.15 D
GFP12	1/2"	2.15 D
GFP34	3/4"	2.09 D
MALE GH x BARB		
PART#		PRICE
GHB14	1/4"	0.78 D
GHB38	3/8"	0.78 D
GHB12	1/2"	0.78 D
GHB58	5/8"	0.78 D
GHB34	3/4"	0.78 D

VALVES		
PART#		PRICE
GLA3	Shut-off	3.00 D
GLA23	"Y"	3.95 D
FEMALE GH x MALE GH		
PART#		PRICE
GMF34	3/4"	2.09 D
MSLE GARDEN HOSE x MPT		
PART#		PRICE
GMM38	3/8"	0.78 D
GMM12	1/2"	0.78 D
GMM34	3/4"	1.00 D
FEMALE GARDEN HOSE x MPT		
PART#		PRICE
GMP34	3/4"	2.10 D

FEMALE GH SWIVEL NUT		
PART#		PRICE
GSN34	3/4"	0.68 D
WASHERS		
PART#		PRICE
GW107	Filter Washer	0.65 D
GW300	Sta-Put Washer	0.15 D
HOSE SHANK		
PART#		PRICE
HS14	1/4"	0.61 D
HS38	3/8"	0.61 D
HS12	1/2"	0.61 D
HS58	5/8"	0.61 D
HS34	3/4"	0.61 D
HS100	1"	1.35 D
SWIVEL NUT MPT		
PART#		PRICE
SN34	3/4"	1.65 D



STAINLESS - HOSE BARB/NIPPLE/COUPLER STREET ELBOW/THREADED ELBOW



HOSE BARB	
	
PART#	PRICE
HB14SS	7.07 D
HB1438SS	7.07 D
HB1412SS	7.07 D
HB38SS	8.64 D
HB3812SS	8.64 D
HB12SS	11.36 D
HB34SS	12.57 D
HB34100SS	14.38 D
HB100SS	18.98 D
HB114SS	25.63 D
HB112SS	33.24 D
HB200SS	56.69 D
HB300SS	207.86 D
PIPE NIPPLE	
	
PART#	PRICE
CN18SS	2.12 D
CN14SS	2.39 D
CN14-112SS	2.96 D
CN14-2SS	3.56 D
CN14-212SS	4.21 D
CN14-3SS	4.87 D
CN14-4SS	6.23 D
CN14-6SS	8.86 D
CN38SS	2.87 D
CN38-112SS	3.48 D
CN38-2SS	4.22 D
CN38-212SS	5.02 D
CN12SS	3.70 D
CN12-212SS	6.41 D
CN12-3SS	7.47 D
CN12-4SS	9.62 D
CN34SS	4.99 D



PIPE NIPPLE	
PART#	PRICE
CN34-2SS	6.37 D
CN34-3SS	8.93 D
CN34-4SS	11.50 D
CN100SS	6.56 D
CN100-2SS	8.22 D
CN100-212SS	9.76 D
CN100-3SS	11.42 D
CN100-4SS	14.71 D
CN100-6SS	21.32 D
CN114SS	8.82 D
CN114-2SS	10.39 D
CN114-212SS	12.31 D
CN114-4SS	18.59 D
CN112SS	10.80 D
CN112-2SS	11.84 D
CN112-3SS	16.78 D
CN112-4SS	21.72 D
CN200SS	16.76 D
CN200-212SS	18.67 D
CN200-3SS	21.61 D
CN200-6SS	40.93 D
CN300SS	47.83 D
COUPLER	
	
PART#	PRICE
CP14SS	4.22 D
CP38SS	4.91 D
CP12SS	6.96 D
CP34SS	10.05 D
CP100SS	15.27 D
CP114SS	24.28 D
CP112SS	28.81 D
CP200SS	40.61 D
CP300SS	115.24 D

STREET ELBOW	
	
PART#	PRICE
SE14SS	6.68 D
SE38SS	8.04 D
SE12SS	9.46 D
SE34SS	13.13 D
SE100SS	22.72 D
SE114SS	33.00 D
SE112SS	39.04 D
SE200SS	52.87 D
SE300SS	133.32 D
THREADED ELBOW	
	
PART#	PRICE
TE18SS	4.68 D
TE14SS	4.68 D
TE38SS	5.81 D
TE12SS	6.18 D
TE34SS	8.87 D
TE100SS	12.58 D
TE114SS	22.08 D
TE112SS	29.38 D
TE200SS	37.25 D
TE300SS	108.13 D
TEFLON TAPE & TRU-BLU	
	
PART#	PRICE
TTAPE	1.75 D
TTAPEW	3.00 D
RE31870	10.80 D
RE31551	32.83 D

STAINLESS - REDUCER BUSHING/ THREADED ELBOW CROSS/PLUG/CAP/TAPE/RECTORSEAL

REDUCER BUSHING	
	
PART#	PRICE
RB1418SS	3.05 D
RB3814SS	3.33 D
RB1218SS	4.22 D
RB1214SS	4.22 D
RB1238SS	4.22 D
RB3414SS	6.18 D
RB3438SS	6.18 D
RB3412SS	6.18 D
RB10012SS	8.57 D
RB10034SS	8.57 D
RB11434SS	15.33 D
RB114100SS	15.33 D
RB11234SS	18.35 D
RB112100SS	18.35 D
RB112114SS	18.35 D
RB200100SS	27.99 D
RB200114SS	27.99 D
RB200112SS	27.99 D
RB212112SS	47.97 D
RB212200SS	47.97 D
RB300112SS	73.52 D
RB300200SS	73.52 D
TEE	
	
PART#	PRICE
TT14SS	6.27 D
TT38SS	7.99 D
TT12SS	8.39 D
TT34SS	13.35 D
TT100SS	17.00 D
TT114SS	48.19 D
TT112SS	42.03 D
TT200SS	53.99 D
TT300SS	150.19 D




UNION	
	
PART#	PRICE
UN18SS	15.79 D
UN14SS	15.79 D
UN38SS	16.09 D
UN12SS	17.42 D
UN34SS	22.08 D
UN100SS	33.30 D
UN114SS	57.75 D
UN112SS	65.32 D
UN200SS	78.21 D
CROSS	
	
PART#	PRICE
CR14SS	10.92 D
CR38SS	13.01 D
CR12SS	16.03 D
CR34SS	27.42 D
CR100SS	40.58 D
CR114SS	48.19 D
CR112SS	59.69 D
CR200SS	85.46 D

PLUG	
	
PART#	PRICE
PL18SS	2.02 D
PL14SS	2.39 D
PL38SS	3.20 D
PL12SS	4.58 D
PL34SS	5.56 D
PL100SS	7.04 D
PL114SS	14.01 D
PL112SS	16.72 D
PL200SS	19.78 D
PL300SS	47.37 D
CAP	
	
PART#	PRICE
C18SS	2.36 D
C14SS	3.37 D
C38SS	3.97 D
C12SS	4.12 D
C34SS	5.15 D
C100SS	7.75 D
C114SS	14.01 D
C112SS	18.40 D
C200SS	23.46 D
C300SS	58.49 D





TEFLON TAPE & TRU-BLU & RECTORSEAL		
PART#	DESCRIPTION	PRICE
RE25431	RECTORSEAL #5 PINT	42.75 A
RE28651	RECTORSEAL #21 1/2 PINT	31.28 A
TTAPE	TEFLON TAPE 1/2" 520'	1.75 D
TTAPEW	TEFLON TAPE 3/4" 520'	3.00 D
RE31780	TRU-BLU 2oz TUBE	10.80 D
RE31551	TRU-BLU PINT	32.83 D



STEEL - HOSE BARB/HOSE MENDER/PIPE NIPPLE COUPLER/REDUCER COUPLER

HOSE BARB	
	
PART#	PRICE
HB12S	18.69 D
HB34S	9.28 D
HB100S	14.46 D
HB114S	18.98 D
HB112S	22.08 D
HB200S	21.80 D
HB212S	45.33 D
HB300S	70.13 D
HOSE MENDER	
	
PART#	PRICE
HM34S	3.50 D
HM200S	21.90 D
HM212S	50.08 D
HM300S	29.50 D
HM400S	48.50 D
PIPE NIPPLE	
	
PART#	PRICE
CN18S	2.27 D
CN18S-2	2.47 D
CN18S-3	3.22 D
CN14S	2.68 D
CN14S-2	2.84 D
CN14S-3	3.68 D
CN14S-4	4.26 D


PIPE NIPPLE	
PART#	PRICE
CN38S	2.74 D
CN38S-112	3.10 D
CN38S-2	3.10 D
CN38S-212	4.00 D
CN38S-3	4.00 D
CN38S-312	4.68 D
CN38S-4	4.68 D
CN38S-412	6.79 D
CN38S-5	6.79 D
CN38S-512	7.52 D
CN38S-6	7.52 D
CN12S	2.30 D
CN12S-2	2.30 D
CN12S-212	2.74 D
CN12S-3	2.74 D
CN12S-312	3.31 D
CN12S-4	3.31 D
CN121S-412	3.84 D
CN12S-5	3.84 D
CN12S-512	4.32 D
CN12S-6	4.32 D
CN34S	2.68 D
CN34S-112	2.84 D
CN34S-2	2.84 D
CN34S-212	3.25 D
CN34S-3	3.25 D
CN34S-312	4.00 D
CN34S-4	4.00 D
CN34S-412	5.04 D
CN34S-5	5.04 D
CN34S-512	5.67 D
CN34S-6	5.67 D
CN100S	3.84 D
CN100S-2	4.20 D
CN100S-3	4.20 D
CN100S-4	5.52 D
CN100S-5	6.58 D
CN100S-512	7.63 D
CN100S-6	7.63 D



PIPE NIPPLE	
PART#	PRICE
CN114S	4.88 D
CN112S	6.09 D
CN200S	8.25 D
CN212S	25.80 D
CN300S	30.63 D
CN400S	46.12 D
COUPLER	
	
PART#	PRICE
CP18S	5.39 D
CP14S	4.57 D
CP38S	4.57 D
CP12S	3.71 D
CP34S	4.37 D
CP100S	6.61 D
CP114S	8.49 D
CP112S	11.32 D
CP200S	16.49 D
CP300S	60.69 D
CP400S	121.04 D
REDUCER COUPLER	
	
PART#	PRICE
RCP1418S	4.43 D
RCP3814S	4.43 D
RCP1214S	4.04 D
RCP1238S	4.04 D
RCP3414S	5.00 D
RCP200112S	15.56 D

STEEL - REDUCER BUSHING/STREET ELBOWS THREADED ELBOW/CROSS/TEE/CAP



REDUCER BUSHING	
	
PART#	PRICE
RB1418S	1.73 D
RB3818S	1.89 D
RB3814S	1.89 D
RB1218S	4.88 D
RB1214S	4.88 D
RB1238S	4.88 D
RB3414S	3.49 D
RB3438S	3.49 D
RB3412S	3.49 D
RB10012S	4.57 D
RB10034S	4.57 D
RB11434S	6.54 D
RB114100S	6.54 D
RB112114S	7.47 D
RB200100S	15.84 D
RB200114S	15.84 D
RB200112S	15.84 D
RB212200S	27.16 D
RB300112S	41.62 D
RB300200S	41.62 D
STREET ELBOW	
	
PART#	PRICE
SE18S	5.53 D
SE14S	5.53 D
SE38S	5.53 D
SE12S	5.16 D
SE34S	5.53 D
SE100S	7.95 D
SE114S	12.14 D
SE112S	16.21 D
SE200S	26.28 D
SE300S	98.94 D




STREET ELBOW 45	
	
PART#	PRICE
SE18S-45	8.59 D
SE14S-45	6.39 D
SE38S-45	7.26 D
SE12S-45	5.84 D
SE34S-45	3.89 D
SE100S-45	10.41 D
SE114S-45	18.02 D
SE112S-45	22.33 D
SE200S-45	37.68 D
THREADED ELBOW	
	
PART#	PRICE
TE18S	3.85 D
TE18S-45	5.56 D
TE14S	3.66 D
TE14S-45	5.67 D
TE38S	3.66 D
TE12S	2.74 D
TE34S	3.35 D
TE100S	5.82 D
TE114S	9.43 D
TE112S	12.41 D
TE200S	21.25 D
TE300S	68.83 D

CROSS	
	
PART#	PRICE
CR100S	19.50 D

TEE	
	
PART#	PRICE
TT18S	5.84 D
TT14S	5.53 D
TT38S	5.53 D
TT12S	3.58 D
TT34S	5.05 D
TT100S	8.92 D
TT114S	14.47 D
TT112S	18.02 D
TT200S	29.75 D
TT300S	91.01 D
CAP	
	
PART#	PRICE
C14S	3.58 D
C38S	3.58 D
C12S	2.74 D
C34S	3.71 D
C100S	4.47 D
C114S	5.84 D
C112S	7.95 D
C200S	10.39 D
C300S	38.37 D

BRASS - PIPE & GARDEN HOSE FITTINGS

HOSE BARB	
	
PART#	PRICE
HB1814BR	2.20 D
HB1418BR	2.58 D
HB14BR	2.63 D
HB1438BR	2.55 D
HB1412BR	3.55 D
HB3814BR	2.48 D
HB38BR	2.55 D
HB3812BR	3.08 D
HB3858BR	5.05 D
HB1214BR	3.22 D
HB1238BR	5.42 D
HB12BR	5.83 D
HB1258BR	5.10 D
HB3412BR	6.13 D
HB34BR	10.45 D
HB34100BR	13.20 D
HB100BR	18.52 D
HOSE BARB ELBOW	
	
PART#	PRICE
HBE14BR	6.30 D
HBE38BR	5.00 D
HBE3812BR	5.58 D
HBE3858BR	8.45 D
HBE1238BR	6.23 D
HBE12BR	11.48 D
HBE1258BR	7.60 D

HOSE MENDER	
	
PART#	PRICE
HM14BR	2.80 D
HM38BR	2.88 D
HM12BR	4.15 D
HM58BR	5.58 D
HM34BR	9.40 D
HM100BR	18.45 D
HOSE BARB TEE	
	
PART#	PRICE
HBT18BR	5.00 D
HBT14BR	6.08 D
HBT38BR	5.03 D
HBT12BR	9.35 D
HBT34BR	48.90 D
PIPE NIPPLE	
	
PART#	PRICE
CN18BR	0.92 D
CN14BR	1.64 D
CN38BR	2.78 D
CN12BR	3.38 D
CN34BR	6.29 D

COUPLER	
	
PART#	PRICE
CP18BR	1.42 A
CP14BR	2.11 A
CP38BR	3.43 A
CP12BR	6.76 A
CP34BR	9.66 A
CP100BR	28.64 A
REDUCER BUSHING	
	
PART#	PRICE
RB1418BR	1.33 D
RB3814BR	2.30 D
RB1238BR	3.33 D
RB3412BR	7.00 D
RB10038BR	11.35 D
RB10012BR	17.45 D
RB10034BR	13.45 D
STREET ELBOW	
	
PART#	PRICE
SE18BR	2.63 D
SE14BR	5.83 D
SE38BR	9.30 D
SE12BR	14.48 D
SE34BR	34.77 D
SE100BR	58.89 D

THREADED ELBOW	
	
PART#	PRICE
TE18BR	5.90 D
TE14BR	8.00 D
TE38BR	7.73 D
TE12BR	13.20 D
TE34BR	39.05 D
TE100BR	42.11 D
TEE	
	
PART#	PRICE
TT18BR	3.98 D
TT14BR	7.68 D
TT38BR	11.18 D
TT1238BR	25.57 D
TT12BR	22.31 D
TT34BR	35.53 D
TT100BR	58.28 D

THREADED TEE		
PART#	DESCRIPTION	PRICE
FMFTT14BR	Female/Male/Female	12.36 D
FMMTT14BR	Female/Male/Male	9.43 D

GARDEN HOSE QUICK DISCONNECT		
PART#		PRICE
1163-61	3/4" Male End	6.87 R
1163MB	3/4" Female End	14.87 R
GARDEN HOSE FITTING		
PART#		PRICE
GFSWBR	3/4" FGH SWIVEL	8.32 R
GMM12BR	1/2" MGH x MPT	6.52 R
GMM34BR	3/4" MGH x MPT	7.30 R
GMP12BR	1/2" MPT x FGH	12.53 R

CAM LEVER COUPLERS ALUMINUM



"A" MALE ADAPTER		
SIZE	PART#	PRICE
1-1/2"	A112A	8.17 R
2"	A2A	12.00 D
2-1/2"	A212A	19.47 D
3"	A3A	15.92 R
4"	A4A	35.55 R
6"	A6A	77.10 D



"B" FEMALE COUPLER		
SIZE	PART#	PRICE
1-1/2"	A112B	16.25 R
2"	A2B	16.83 D
2-1/2"	A212B	34.95 D
3"	A3B	42.71 R
4"	A4B	47.44 R
6"	A6B	156.23 D



"C" FEMALE COUPLER		
SIZE	PART#	PRICE
1-1/2"	A112C	16.12 R
2"	A2C	22.66 R
2-1/2"	A212C	38.25 D
3"	A3C	41.91 R
4"	A4C	58.60 R
6"	A6C	176.90 D



"D" FEMALE ADAPTER		
SIZE	PART#	PRICE
1-1/2"	A112D	19.03 R
2"	A2D	22.11 R
2-1/2"	A212D	59.87 R
3"	A3D	38.09 R
4"	A4D	53.21 R
6"	A6D	163.18 D



"DC" DUST CAP		
SIZE	PART#	PRICE
1-1/2"	A112DC	24.70 D
2"	A2DC	24.04 R
2-1/2"	A212DC	31.35 D
3"	A3DC	30.06 R
4"	A4DC	46.53 R
6"	A6DC	137.08 D



"DP" DUST PLUG		
SIZE	PART#	PRICE
1-1/2"	A112DP	8.80 D
2"	A2DP	10.04 R
2-1/2"	A212DP	15.87 D
3"	A3DP	17.52 R
4"	A4DP	28.55 R
6"	A6DP	70.30 D



"E" MALE ADAPTER		
SIZE	PART#	PRICE
1-1/2"	A112E	12.13 R
2"	A2E	13.89 R
2-1/2"	A212E	22.75 D
3"	A3E	29.78 R
4"	A4E	47.99 R
6"	A6E	116.13 D



"F" MALE ADAPTER		
SIZE	PART#	PRICE
1-1/2"	A112F	10.95 R
2"	A2F	10.00 D
2-1/2"	A212F	25.95 D
3"	A3F	31.90 R
4"	A4F	45.54 R
6"	A6F	107.58 D

CAM LEVER COUPLERS - POLY



MALE ADAPTER X FPT "A"		
PART #	DESCRIPTION	PRICE
B12A	3/4" x 1/2" FPT	7.60 D
B34A14	3/4" x 1/4" FPT	7.60 D
B34A	3/4"	6.35 D
B100A	1"	6.35 D
B100A114	1" x 1-1/4" FPT	6.35 D
B114A	1-1/2" x 1-1/4" FPT	8.65 D
B112A	1-1/2"	7.20 D
B200A	2"	8.25 D
300200A	2" x 3" FPT	15.87 D
B300A	3"	19.93 D
B400A	4"	37.45 D



FEMALE COUPLER X MPT "B"		
PART #	DESCRIPTION	PRICE
B12B	3/4" x 1/2" MPT	17.38 D
B34B	3/4"	14.10 D
B100B	1"	16.20 D
B100B114	1" X 1-1/4" MPT	16.63 D
B114B	1-1/2" x 1-1/4" MPT	22.80 D
B112B	1-1/2"	19.00 D
B200B	2"	23.13 D
B300B	3"	38.85 D
303B	3" Extended Thread	51.13 D
B400B	4"	94.78 D



FEMALE COUPLER X BARB "C"		
PART #	DESCRIPTION	PRICE
B12C	3/4" x 1/2" HS	14.48 D
B34C	3/4"	14.78 D
B100C	1"	16.63 D
B100C114	1" X 1-1/4" HS	16.63 D
B114C	1-1/2" x 1-1/4" HS	23.40 D
B112C	1-1/2"	19.50 D
B200C	2"	23.13 D
B300C	3"	38.85 D
303C	3" w/3 Arms	51.13 D
B400C	4"	78.98 D



MALE ADAPTER X FPT "90A"		
PART #	DESCRIPTION	PRICE
150A90	1-1/2"	13.60 D
200A90	2"	15.50 D



FEMALE COUPLER X MPT "90B"		
PART#	DESCRIPTION	PRICE
200B90	2"	34.73 D



FEMALE COUPLER X BARB "90C"		
PART #	DESCRIPTION	PRICE
150C90	1-1/2"	28.03 D
200C90	2"	28.93 D



CAP "DC"		
PART #	DESCRIPTION	PRICE
B12CAP	3/4"	14.10 D
B34CAP	3/4"	14.10 D
B100CAP	1" - 1-1/4"	15.58 D
B112CAP	1-1/2"	19.00 D
B200CAP	2"	23.13 D
B300CAP	3"	38.85 D
B400CAP	4"	57.60 D



PLUG "DP"		
PART #	DESCRIPTION	PRICE
B12PL	3/4"	6.85 D
B34PL	3/4"	6.68 D
B100PL	1" & 1-1/4"	6.40 D
B112PL	1-1/2"	8.58 D
B200PL	2"	9.68 D
B300PL	3"	20.28 D
B400PL	4"	29.45 D
PLUG w/HANDLE		
200PLH	2"	17.78 D
300PLH	3"	27.14 D

FEMALE COUPLER X MALE ADAPTER		
PART #	DESCRIPTION	PRICE
303B200A	3" X 2"	71.18 D

CAM LEVER COUPLERS - POLY



FEMALE COUPLER X FPT "D"		
PART #	DESCRIPTION	PRICE
B12D	3/4" x 1/2" FPT	14.48 D
B34D	3/4"	14.10 D
B100D	1"	16.20 D
B100D114	1" X 1-1/4" FPT	16.63 D
B114D	1-1/2" x 1-1/4" FPT	23.40 D
B112D	1-1/2"	19.50 D
B200D	2"	23.13 D
300200D	3" x 2" FPT	34.38 D
B300D	3"	38.85 D
B400D	4"	79.98 D



FEMALE COUPLER X FPT "90D"		
PART #	DESCRIPTION	PRICE
150D90	1-1/2"	28.03 D
200D90	2"	28.93 D



MALE ADAPTER X BARB "E"		
PART #	DESCRIPTION	PRICE
B12E	3/4" x 1/2" HS	6.85 D
B34E	3/4"	6.85 D
B100E	1"	7.60 D
B100E114	1" X 1-1/4" HS	7.60 D
B114E	1-1/2" x 1-1/4" HS	9.15 D
B112E	1-1/2"	7.63 D
B200E	2"	10.00 D
B300E	3"	25.55 D
B400E	4"	37.45 D



MALE ADAPTER X MPT "F"		
PART #	DESCRIPTION	PRICE
B12F	3/4" x 1/2" MPT	6.85 D
B34F	3/4"	6.85 D
B100F	1"	7.60 D
B100F114	1" X 1-1/4" MPT	7.60 D
B114F	1-1/2" x 1-1/4" MPT	9.15 D
B112F	1-1/2"	7.63 D
B200F	2"	9.73 D
B300F	3"	25.55 D
300200F	2" x 3" MPT	15.87 D
B400F	4"	37.45 D



MALE ADAPTER X MPT "45F"		
PART #	DESCRIPTION	PRICE
200F45	2"	27.38 D



MALE ADAPTER X MPT "90F"		
PART #	DESCRIPTION	PRICE
150F90	1-1/2"	16.30 D
200F90	2"	14.55 D



SPOOL ADAPTER		
PART #	DESCRIPTION	PRICE
200FF	2"	24.85 D
300F200F	3" X 2"	62.63 D
300FF	3"	62.63 D

CAM LEVER PARTS		
PART #	GASKET	PRICE
034G	3/4" EPDM	1.19 D
100G	1" EPDM	1.19 D
100GV	1" VITON	7.92 D
150G	1-1/2" EPDM	1.19 D
150GV	1-1/2" VITON	6.52 D
150GXT	1-1/2" EPDM Thick	2.19 D
200G	2" EPDM	1.25 D
200GV	2" VITON	7.50 D
200GXT	2" EPDM Thick	2.70 D
300G	3" EPDM	1.70 D
300GV	3" VITON	21.06 D
300GXT	3" EPDM Thick	3.63 D
400G	4" EPDM	4.35 D

CAM ARM w/RING		
PART #	DESCRIPTION	PRICE
100K	1" & 1-1/4"	5.15 D
150(200)K	1-1/2" & 2"	6.98 D
300K	3"	9.88 D

PINS		
PART #	DESCRIPTION	PRICE
75P	1/2" & 3/4"	1.28 D
100P	1" & 1-1/4"	1.28 D
200P	1-1/2" & 2"	1.33 D
300P	3" & 4"	2.78 D

SHIMS		
PART #	DESCRIPTION	PRICE
034S	1/2" & 3/4"	1.49 D
100S	1"	1.49 D
112S	1-1/4" & 1-1/2"	2.93 D
200S	2"	1.43 D
300S	3"	2.46 D



90° SWEEP MALE ADAPTER X MPT		
PART #	PART #	PRICE
200FSW90	2"	15.47 D
300FSW90	3"	42.17 D

MANIFOLD FITTINGS



FLANGE X MALE ADAPTER		
SIZE	PART#	PRICE
1" X 1"	M100A	8.00 D
2" X 2"	M200A	10.75 D
2"FP X 2"	M220A	11.78 D
3" X 3"	M300A	23.02 D



FLANGE X HB 45°		
SIZE	PART#	PRICE
1" X 1"	M100BRB45	18.13 D
2" X 1-1/2"	M200150BRB45	21.80 D
2" X 2"	M200BRB45	25.58 D
2"FP X 2"	M220BRB45	24.65 D
3" X 3"	M300BRB45	86.00 D



FLANGED COUPLER / COUPLER W/PORT		
SIZE	PART#	PRICE
1" X 1"	M100CPG	7.40 D
2" X 2"	M200CPG	15.83 D
2" X 2"FP	M220CPG	17.70 D
2" X 2"FP X 3" w/port	M220CPG3G	45.93 D
2" X 2"FP X 6"	M220CPG6	25.03 D
3" X 3"FP	M300CPG	20.86 D
3" X 3"FP X 7"	M300CPG7	24.73 D
3" X 3"FP X 12"	M300CPG12	128.20 D



FLANGE X MALE ADAPTER SWEEP		
SIZE	PART #	PRICE
2"FP	M220ASWP90	17.58 D
3"	M300ASWP90	86.00 D



FLANGE X HB ELBOW 90°		
SIZE	PART#	PRICE
1" X 3/4"	M100075BRB90	3.68 D
1" X 1"	M100BRB90	3.68 D
1" X 1-1/4"	M100125BRB90	3.68 D
1" X 1-1/2"	M100150BRB90	22.13 D
2" X 1"	M200100BRB90	12.25 D
2" X 1-1/4"	M200125BRB90	12.25 D
2" X 1-1/2"	M200150BRB90	11.15 D
2" X 2"	M200BRB90	12.25 D
2"FP X 1-1/2"	M220150BRB90	12.25 D
2" FP X 2"	M220BRB90	12.25 D
3" X 2"	M300220BRB90	20.23 D
3" X 3"	M300BRB90	49.20 D



45° FLANGED COUPLING		
SIZE	PART#	PRICE
1" X 1"	M100CPG45	13.75 D
2" X 2"	M200CPG45	16.18 D
2" X 2"FP	M220CPG45	19.41 D
3" X 3"FP	M300CPG45	79.39 D



FLANGE X HOSE BAR		
SIZE	PART #	PRICE
1" X 1/2"	M100050BRB	3.01 D
1" X 3/4"	M100075BRB	3.01 D
1" X 1"	M100BRB	3.01 D
1" X 1-1/4"	M100125BRB	3.01 D
2" X 1"	M200100BRB	6.63 D
2" X 1-1/4"	M200125BRB	6.88 D
2" X 1-1/2"	M200150BRB	6.03 D
2" X 2"	M200BRB	6.63 D
2"FP X 1"	M220100BRB	8.09 D
2"FP X 1-1/4"	M220125BRB	6.58 D
2"FP X 1-1/2"	M220150BRB	6.58 D
2"FP X 2"FP	M220BRB	6.00 D
3" X 2"	M300220BRB	20.23 D
3" X 3"	M300BRB	18.29 D



FLANGE X HOSE BARB SWEEP		
SIZE	PART #	PRICE
1"	M100BRB SWP90	12.78 D
1" X 1-1/4"	M100125BRB SWP90	12.75 D
2"FP	M220BRB SWP90	21.91 D
3"	M300BRB SWP90	53.76 D



90° FLANGED COUPLING		
SIZE	PART#	PRICE
1" X 1"	M100CPG90	9.25 D
2" X 2"	M200CPG90	15.45 D
2" X 2"SH	M200CPG90SH	15.45 D
2" X 2"FP	M220CPG90	14.08 D
3" X 3"FP	M300CPG90	66.73 D

MANIFOLD FITTINGS



FLANGE REDUCER COUPLER		
SIZE	PART#	PRICE
2" X 1"	M200100CPG	17.98 D
2"FP X 1"	M220100CPG	19.69 D
2"FP X 2"	M220200CPG	19.69 D
3" X 2"	M300200CPG	45.09 D
3" X 2"FP	M300220CPG	41.70 D



FLANGE X FEMALE PIPE		
SIZE	PART#	PRICE
1" X 1/2"	M100050FPT	3.11 D
1" X 3/4"	M100075FPT	3.11 D
1" X 1"	M100FPT	5.81 D
2" X 2"	M200FPT	16.95 D
2"FP X 2"	M220FPT	27.16 D
3" X 3"	M300FPT	43.76 D



FLANGE X MALE THREAD		
SIZE	PART#	PRICE
1" X 3/4"	M100075MPT	3.47 D
1" X 1"	M100MPT	3.47 D
1" X 1-1/4"	M100125MPT	3.47 D
2" X 1-1/4"	M200125MPT	5.88 D
2" X 1-1/2"	M200150MPT	5.88 D
2" X 2"	M200MPT	5.88 D
2"FP X 2"	M220MPT	5.88 D
3" X 3"	M300MPT	16.17 D



FLANGED CROSS		
SIZE	PART#	PRICE
1"	M100CR	24.79 D
2"	M200CR	40.65 D
2"FP	M220CR	44.45 D
3"	M300CR	89.38 D



FLANGE X PVC GLUE SOCKET		
SIZE	PART#	PRICE
2"FP X 2"	M221GSA	17.93 D
3"FP X 3"	M301GSA	28.13 D



FLANGE X MALE NPT -SS		
SIZE	PART#	PRICE
1" X 1"	M100MPTSS	35.23 D
2" X 1-1/4"	M200125MPTSS	60.33 D
2" X 1-1/2"	M200150MPTSS	55.30 D
2" X 2"	M200MPTSS	76.83 D
2"FP X 1-1/2"	M220150MPTSS	80.30 D
2"FP X 2"	M220MPTSS	79.58 D
3" X 2"FP	M300220MPTSS	219.10 D
3" X 3"	M300MPTSS	137.90 D



FLANGE X FEMALE QDC		
SIZE	PART#	PRICE
2"FP	M220D	27.18 D
3"FP	M303D	52.13 D



FLANGE X HB TEE		
SIZE	PART#	PRICE
1" X 1"	M100100HBT	10.58 D
1" X 1-1/4"	M100125HBT	19.25 D
2"FP X 2"	M220200HBT	19.60 D
2"FP X 3"	M220300HBT	38.35 D
3" X 3"	M300300HBT	42.68 D



FLANGE X MPT SWEEP		
SIZE	PART #	PRICE
2"FP	M220MPTSWP90	19.48 D
3"	M300MPTSWP90	53.76 D

MANIFOLD FITTINGS



FLANGED CHECK VALVE		
SIZE	PART#	PRICE
1"	MCV100	24.18 D
2"	MCV200	31.30 D
2"FP	MCV221	41.18 D
3"	MCV300	63.68 D



PLUG W & W/O GAUGE PORT		
SIZE	PART#	PRICE
1"	M100PLG	3.47 D
2"	M200PLG	5.88 D
2"FP	M220PLG	7.37 D
3"	M300PLG	19.80 D
1" W-1/4"	M100PLG025	13.70 D
2" W-1/4"	M200PLG025	17.70 D
2" W-3/8"	M200PLG038	19.35 D
2" W-1/2"	M200PLG050	17.70 D
2" W-3/4"	M200PLG075	17.70 D
2" W-1"	M200PLG100	17.70 D
2"FP W-3/4"	M220PLG075	26.98 D
3" W-3/4"	M300PLG075	32.00 D
3" W-1"	M300PLG100	32.98 D



FLANGE X FLANGE SWEEP		
SIZE	PART#	PRICE
1"	M100SWP90	12.78 D
2"	M200SWP90	19.33 D
2"FP x 2"	M220SWP90	17.34 D
2"FP x 2"	M220200SWP90	20.85 D
3" x 2" FP	M300220SWP90	81.80 D
3"	M300SWP90	70.03 D



1" Manifold Pressure Spike Valves		
PART#	PRESSURE	PRICE
MPRV100-100	100 PSI	101.63 D
MPRV100-125	125 PSI	101.63 D



MANIFOLD SWIVEL		
SIZE	PART #	PRICE
2"FP	MSW220	49.53 D



FLANGE X SOCKET WELD -SS		
SIZE	PART#	PRICE
1" X 1"	M100SWFSS	35.25 D
2" X 2"	M200SWFSS	96.93 D
2"FP X 2"	M220SWFSS	94.08 D
2"FP X 2" X 3-3/4"	M220375SWFSS	164.18 D
3" X 3"	M300SWFSS	158.20 D
3" X 3" X 3-3/4"	M300375SWFSS	269.58 D



FLANGED TEE		
SIZE	PART#	PRICE
1"	M100TEE	8.45 D
2" X 1"	M200100TEE	17.15 D
2"	M200TEE	16.17 D
2"FP X 1"	M220100TEE	18.10 D
2"FP X 2"	M220200TEE	22.00 D
2"FP	M220TEE	16.28 D
3"	M300TEE	76.17 D

MANIFOLD FITTINGS



3" MANIFOLD Y		
SIZE	PART #	PRICE
3" FP x 2"FP	M300220WYCG	121.10 D



FLANGE CLAMPS		
SIZE	PART#	PRICE
1"	FC100	6.95 D
2"	FC200	8.55 D
2"FP	FC220	8.75 D
3"	FC300	10.58 D



GASKETS RIB		
SIZE	PART#	PRICE
1"	M101G	2.08 D
2"	M201G	2.43 D
2"FP	M221G	2.60 D
3"	M301G	2.95 D



FLANGED "Y" COUPLER		
SIZE	PART#	PRICE
2"FP	M220Y45	79.10 D
2"FP w/port	M220YG45	94.33 D
3"FP	M300Y45	158.45 D
3"FP w/port	M300YG45	165.58 D



BOLTED FLANGE CLAMPS		
SIZE	PART#	PRICE
2"FP	FC220B	55.88 D
3"	FC300B	62.95 D



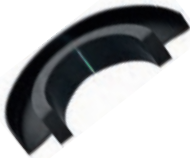
U-BOLTS		
SIZE	PART#	PRICE
100 SERIES	UB100	29.63 D
200 SERIES	UB202	29.63 D
220 SERIES	UB220	31.30 D



GASKET FLANGE		
SIZE	PART #	PRICE
1"	FG100	2.16 D
1-1/2"	FG200	2.31 D
2"FP	FG220	2.36 D
3"	FG300	3.37 D



T-BOLT FLANGE CLAMPS		
SIZE	PART#	PRICE
2"FP	FC220TB	22.75 D
3"	FC300TB	22.50 D



MANIFOLD FITTINGS & BOOM NOZZLE ADAPTER



FLANGE FLOW METER		
SIZE	PART #	PRICE
1"	MFM100	991.16 D
2" FP	MFM220	1,126.19 D
3" FP	MFM300	1,413.42 D



FLOW METER

- *Displays overall total volume & batch total volume
- *Flow rate allows for Gallons or Liters Per Minute
- *Self calibrating meter
- *Measures water & most conductive liquids
- *No moving parts to fail during use
- *Magnetic style meter with stainless steel electrodes



VENTURI		
PART#	DESCRIPTION	PRICE
MHV200	2" Manifold Poly Venturi 1-1/2" Port	157.73 A
MHV220A	2"FP Manifold Poly Venturi	158.50 A

BOOM NOZZLE PIPE ADAPTER		
PART#	DESCRIPTION	PRICE
M100PA	1" Flanged Pipe Adapter	52.83 D
M100PAT	1" Flanged Pipe Adapter Tee	58.73 D
M100PAC	1" Flanged Pipe Adapter Cap	54.88 D



MANIFOLD INDUCTOR SYSTEM		
PART#	DESCRIPTION	PRICE
MIS220	2" FP Flange x Flange - Assembled	484.55 A
MIS300	3" FP Flange x Flange - Assembled	924.48 A

MANIFOLD VALVES



4 & 6 BOLT MANIFOLD VALVES

4 & 6 Bolt Manifold Valves				
PART#	DESCRIPTION	PIPE SIZE	OPENING	PRICE
MV100CF	1" x 1" Flange Ball Valve	1"	1"	49.73 D
MV200CF	2" x 2" Flange Ball Valve	2"	1-1/2"	68.49 D
MV220CF	2" x 2"FP Flange Ball Valve	2"	2"	91.26 D
MV300	3" x 3" Flange Ball Valve	3"	2-1/2"	149.83 D
MV300CF	3" x 3"FP Flange Ball Valve	3"	3"	209.61 D



MANIFOLD "STUBBY" VALVES



Manifold Stubby Valves				
PART#	DESCRIPTION	SIZE	OPENING	PRICE
VSMT200CF	2" Flange x 2" Male NPT	2"	1-1/2"	81.97 D
VSF200CF	2" Flange x 2" Male Adapter	2"	1-1/2"	70.36 D
MVS220FP	2"FP Flange x 2" Female NPT	2"	2"	101.90 D
MVSF220FP	2"FP Flange x 2" Male Adapter	2"	2"	84.94 D
MVS220CF	2"FP Flange x 2"FP Flange	2"	2"	84.94 D
MVSMT220FP	2"FP Flange x 2" Male NPT	2"	2"	84.94 D
MVSF300	3" Flange x 3" Male Adapter	3"	2-1/2"	168.95 D
MVSF300FP	3"FP Flange x 3" Male Adapter	3"	3"	211.52 D
MVSMT300	3" Flange x 3" Male NPT	3"	2-1/2"	216.92 D
MVS300CF	3" Flange x 3" Flange	3"	2-1/2"	168.95 D
MVS300CFFP	3"FP Flange x 3"FP Flange	3"	3"	199.51 D

MANIFOLD "STUBBY" VALVES "STAINLESS STEEL"

SS Manifold Valves				
PART#	DESCRIPTION	PIPE SIZE	OPENING	PRICE
MVS220HSFP	2" FP Flange x 2" FP Flange	2"	2"	216.97 D
MVSF220HSFP	2" FP Flange x 2" Male NPT	2"	2"	182.50 D
MVS300HSFP	3" FP Flange x 3" FP Flange	3"	3"	406.64 D
MVSF300HSFP	3" FP Flange x 3" Male Adapter	3"	3"	342.00 D
MVSMT300HSFP	3" FP Flange x 3" Male NPT	3"	3"	406.64 D



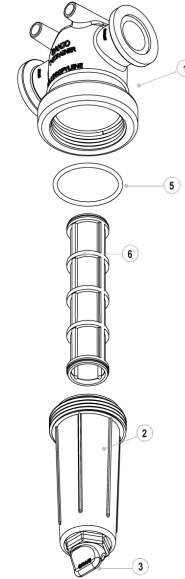
BOTTOM & SIDE LOAD VALVES



3-Way Manifold Ball Valves				
PART#	DESCRIPTION	FLANGE SIZE	OPENING	PRICE
MV100BL	1" Flange Bottom Load	1"	1"	78.26 D
MV200BL	2" Flange Bottom Load	2"	1-1/2"	89.62 D
MV220BL	2"FP Flange Bottom Load	2"	2"	129.71 D
MV300BL	3" Flange Bottom Load	3"	3"	347.72 D
MV100SL	1" Flange Side Load	1"	1"	78.26 D
MV200SL	2" Flange Side Load	2"	1-1/2"	101.18 D
MV220SL	2"FP Flange Side Load	2"	2"	129.71 D

MANIFOLD STRAINERS

1" & 1-1/2" T STRAINER



1" & 1-1/2" MANIFOLD T STRAINER				
PART #	SIZE	MESH	MAX PSI	PRICE
MLST100-30	1"	30	300	52.99 D
MLST100-50	1"	50	300	52.99 D
MLST100-80	1"	80	300	52.99 D
MLST100-100	1"	100	300	52.99 D
MLST150-30	2"	30	250	98.69 D
MLST150-50	2"	50	250	89.73 D
MLST150-80	2"	80	250	98.69 D
MLST150-100	2"	100	250	98.69 D

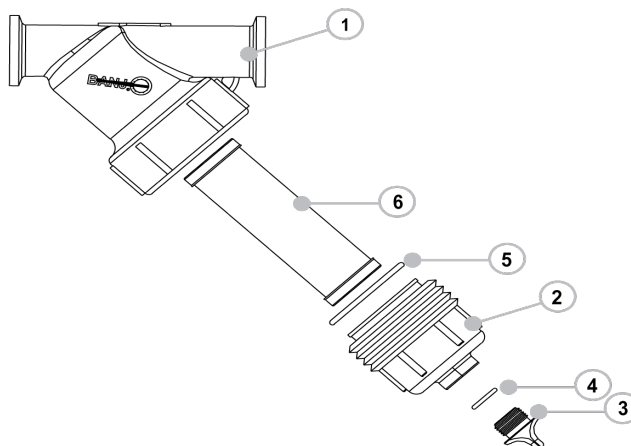
MANIFOLD 1" T REPLACEMENT PARTS			
ITEM	PART #	DESCRIPTION	PRICE
1	MLST100-H	1" T Head	20.73 D
2	BLST100-B	1" T Bowl, Drain Plug, O-ring	20.13 D
3	12777	1/2" Plug	3.78 D
4	UV15163	O-ring	1.33 D
5	BLST100-G	1" EPDM Gasket	5.13 D
6	BLST116	16 Mesh Screen BROWN RED	25.99 D
6	BLST130	30 Mesh Screen FLAME RED	25.99 D
6	BLST150	50 Mesh Screen GENTIAN BLUE	23.63 D
6	BLST180	80 Mesh Screen ZINC YELLOW	23.63 D
6	BLST1100	100 Mesh Screen TRAFFIC GREEN	25.38 D
KIT	MLST100-HB	Kit Includes Items 1-5	35.33 D



MANIFOLD 1-1/2" T REPLACEMENT PARTS			
ITEM	PART #	DESCRIPTION	PRICE
1	MLST150-H	1-1/2" T Body	40.85 D
2	BLST150-B	2" T Bowl, Drain Plug, O-ring	32.48 D
3	BLSQ200-PL	1-1/2" Plug	4.40 D
4	BLSQ200-R	O-ring	1.38 D
5	BLST150-G	1-1/2" EPDM Gasket	5.13 D
6	BLST1516	16 Mesh Screen BROWN RED	39.92 D
6	BLST1530	30 Mesh Screen FLAME RED	39.92 D
6	BLST1550	50 Mesh Screen GENTIAN BLUE	39.92 D
6	BLST1580	80 Mesh Screen ZINC YELLOW	39.92 D
6	BLST15100	100 Mesh Screen TRAFFIC GREEN	39.92 D
KIT	MLST150-HB	kit Includes Items 1-5	66.58 D

MANIFOLD STRAINERS

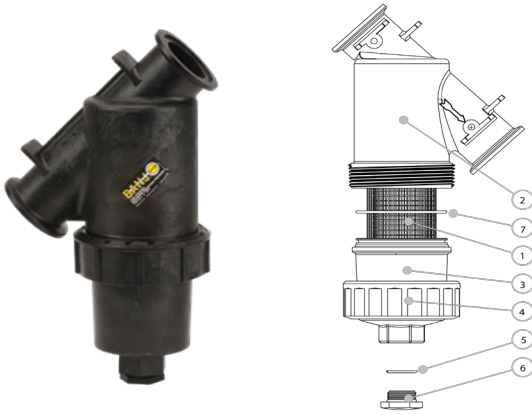
2" Y STRAINER



2" MANIFOLD "Y" STRAINER				
PART #	SIZE	MESH	MAX PSI	PRICE
MLS200-06	2"	6	225	113.40 D
MLS200-12	2"	12	225	113.40 D
MLS200-20	2"	20	225	113.40 D
MLS200-30	2"	30	225	103.10 D
MLS200-50	2"	50	225	113.40 D
MLS200-80	2"	80	225	113.40 D

2" REPLACEMENT PARTS			
ITEM	PART #	DESCRIPTION	PRICE
1	MLS200B	2" Y Body	55.88 D
2	BLS150-C	Bowl, Drain Plug, O-ring	34.98 D
3	BLSQ200-PL	2" Plug	4.40 D
4	BLSQ200-R	O-ring	1.38 D
5	BLS150-G	2" EPDM Gasket	5.13 D
6	BLS206	6 Mesh Screen WHITE	58.95 D
6	BLS212	12 Mesh Screen BLACK	53.57 D
6	BLS230	30 Mesh Screen FLAME RED	53.57 D
6	BLS250	50 Mesh Screen GENTIAN BLUE	53.57 D
6	BLS280	80 Mesh Screen ZINC YELLOW	53.57 D
6	BLS2100	100 Mesh Screen TRAFFIC GREEN	58.95 D
6	BLS2120	120 Mesh Screen BLACK	58.95 D
KIT	MLS200BC	Kit Includes Items 1-5	62.30 D

2" FULL PORT Y STRAINER



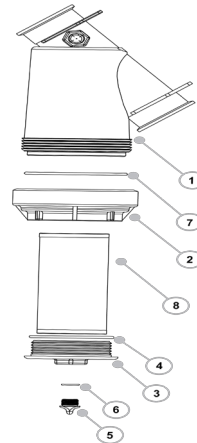
2" FP MANIFOLD Y STRAINER				
PART #	SIZE	MESH	MAX PSI	PRICE
MLS222-04	2" FP	4	225	157.34 D
MLS222-10	2" FP	10	225	173.09 D
MLS222-16	2" FP	16	225	173.09 D
MLS222-30	2" FP	30	225	157.34 D
MLS222-50	2" FP	50	225	157.34 D
MLS222-80	2" FP	80	225	173.09 D

MANIFOLD 2" FP REPLACEMENT PARTS			
ITEM	PART #	DESCRIPTION	PRICE
1	BLST210SS	10 SS Mesh Screen	81.11 D
1	BLST216SS	16SS Mesh Screen	81.11 D
1	BLST230SS	30 SS Mesh Screen	73.73 D
1	BLST250SS	50 SS Mesh Screen	73.73 D
1	MLS250SS	50 SS Mesh Perforated Screen	117.52 D
1	BLST280SS	80 SS Mesh Screen	81.11 D
1	MLS280SS	80 SS Mesh Perforated Screen	117.52 D
1	BLST2100SS	100 SS Mesh Screen	81.11 D
2	MLS222B	2" Flanged Y Strainer Body	58.43 D
3	MLS220C1	2" Flanged Y Strainer Cap	39.25 D
4	MLS220R1	2" Flanged Y Strainer Ring	22.15 D
5	BLSQ200-R	2" Plug Gasket	1.38 D
6	BLSQ200-PL	2" Plug	4.40 D
7	MLS220G1	2" Body Gasket	5.65 D
KIT	MLS222BC	Kit Includes Items 2-7	62.30 D

3" Y STRAINER



3" MANIFOLD Y STRAINER				
PART #	SIZE	MESH	MAX PSI	PRICE
MLS300-12	3"	12	100	590.60 D
MLS300-20	3"	20	100	536.89 D
MLS300-50	3"	50	100	536.89 D



3" FLANGED Y STRAINER REPLACEMENT PARTS			
ITEM	PART #	DESCRIPTION	PRICE
1	MLS300B1	3" Flanged Y Strainer Body	397.06 D
2	MLS300CAP	3" Flanged Y Strainer Cap	218.41 D
3	BLS300EC	3" End Cap	44.90 D
4	MLS300ECG	3" EPDM End Cap Gasket	18.13 D
5	13777	3/4" Plug	6.00 D
6	13778	O-ring	2.55 D
7	MLS300G	3" EPDM Cap Gasket	9.38 D
8	BLS308	8 SS Mesh Screen	177.44 D
8	BLS312	12 SS Mesh Screen	177.44 D
8	BLS320	20 SS Mesh Screen	161.28 D
8	BLS350	50 SS Mesh Screen	161.28 D
KIT	MLS300BC	Kit Includes Items 1-7	468.18 D

***WARNING: 3" "Y" Strainer to be used on suction side or non-pressure side in all applications.**

SINGLE UNION VALVE



SINGLE UNION POLY BALL VALVE			
PART#	THREAD SIZE	PORT SIZE	PRICE
UV12	1/2"	1/2"	20.58 D
UV34	3/4"	3/4"	24.05 D
UV100	1"	1"	29.04 D
UV114	1-1/4"	1-1/4"	47.63 D
UV112	1-1/2"	1-1/2"	59.47 D
UV200	2"	2"	77.78 D
UV300	3"	3"	223.84 D
SINGLE UNION NOZZLE STYLE			
PART#	THREAD SIZE	PORT SIZE	PRICE
UV100-45	1"	1"	30.26 D

MULTI-PORT VALVE



TRUE-UNION MULTI-PORT BALL VALVE			
PART#	THREAD SIZE	PORT SIZE	PRICE
UV34MP	3/4"	3/4"	66.20 D
SINGLE UNION MULTI-PORT BALL VALVE			
PART#	THREAD SIZE	PORT SIZE	PRICE
UV200MP	2"	2"	93.80 D

BALL VALVES

4-BOLT POLY BALL VALVE



4-BOLT POLY BALL VALVE			
PART#	THREAD SIZE	PORT SIZE	PRICE
60540	1/2"	1/2"	44.83 D
60541	3/4"	3/4"	44.83 D
60543	1"	1"	52.51 D
60527	1-1/4"	1-1/4"	66.23 D
60526	1-1/2"	1-1/2"	66.23 D

6-BOLT POLY BALL VALVE



6-BOLT POLY VALVE			
PART#	THREAD SIZE	PORT SIZE	PRICE
60528	2"	2"	94.44 D
61720	3"	3"	223.54 D
62787	4"	4"	477.02 D

6-BOLT MALE X FEMALE



6-BOLT FULL PORT MALE X FEMALE POLY BALL VALVE			
PART#	THREAD SIZE	PORT SIZE	PRICE
61876	2"	2"	94.00 D
62047	3"	3"	223.54 D

6-BOLT NOZZLE STYLE



6-BOLT NOZZLE STYLE POLY BALL VALE			
PART#	THREAD SIZE	PORT SIZE	PRICE
60544	1-1/2" FULL	1-1/2"	90.60 D
60545	2"	1-1/2"	92.76 D
60546	2" FULL	2"	129.14 D

COMPACT BALL VALVES

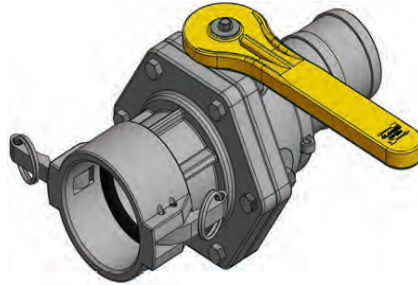


COMPACT BOLTED VALVE FP MALE X FEMALE			
PART#	THREAD SIZE	PORT SIZE	PRICE
62286	2"	2"	75.41 D
COMPACT BOLTED VALVE FP FEMALE X FEMALE			
62287	2"	2"	75.41 D
COMPACT BOLTED VALVE FP FEMALE X MALE ADAPTER			
62314	2"	2"	75.41 D
COMPACT BOLTED VALVE FP MALE X MALE ADAPTER			
62288	2"	2"	75.41 D



6 BOLT VSVALVES

HOSE BARB x FEMALE COUPLER VALVE		
PART #	Description	Price
VSHBD204FP	2" Hose Barb x 2" Female Coupler Full Port	87.23 D
VSHBD300FP	3" Hose Barb x 3" Female Coupler Full Port	207.63 D



FLANGE x FEMALE COUPLER VALVE		
PART #	Description	Price
MVSD220FP	2" Flange x 2" Female Coupler Full Port	87.23 D
MVSD300FP	3" Flange x 3" Female Coupler Full Port	207.63 D



METAL VALVE HANDLE Fits V125FP, V150, V200, V300, V300FP	
PART #	PRICE
V25272	32.35 D





VSFHB204FP \$69.50 D
2" Male Cam Adapter x 2" Hose Barb



VA200FP \$112.03 D
2" FP Nozzle Valve w 90° Sweep

VSFHB300FP \$179.91 D
3" Male Cam Adapter x 3" Hose Barb

200CSWP90 \$31.63 D
2" Female Coupler x 2" Hose Barb Sweep

M220300HBT \$38.35 D
2" FP Flange x 3" Hose Barb Tee



EASY-FILL VALVES			
PART#	DESCRIPTION	MAX PSI	PRICE
VSBHB204FP	2" FP EASY-FILL VALVE	150	108.23 D
VSBHB205FP	2" FP EASY-FILL VALVE W/CARRY HANDLE	150	132.03 D
VSBHB304FP	3" FP EASY-FILL VALVE	100	256.75 D
VSBHB305FP	3" FP EASY-FILL VALVE W/CARRY HANDLE	100	280.53 D
H25053	2" & 3" CARRY HANDLE		27.35 D

BOLTED VALVES

4-BOLT POLY VALVE			
PART#	THREAD SIZE	PORT SIZE	PRICE
BBV050	1/2"	3/4"	49.35 D
BBV075	3/4"	3/4"	49.35 D
BBV100FP	1"	1"	54.40 D
BBV125FP	1-1/4"	1-1/4"	70.58 D
BBV150FP	1-1/2"	1-1/2"	70.58 D
BBV204FP	2"	2"	90.86 D



6-BOLT POLY VALVE			
PART#	THREAD SIZE	PORT SIZE	PRICE
BBV200FP	2"	2-1/16"	95.80 D
BBV300FP	3"	3"	206.07 D
BBV400	4"	3-1/2"	457.45 D



BOLTED POLY NOZZLE VALVE			
PART#	THREAD SIZE	PORT SIZE	PRICE
VA150	1-1/2"	1-1/2"	85.50 D
VA200FP	2"	2-1/16"	112.03 D




"STUBBY" VALVES



"STUBBY" BALL VALVE & 2" FULL PORT ADAPTER VALVE			
PART#	DESCRIPTION	PORT SIZE	PRICE
VSMT204FP	2" MPT x 2" FPT	2"	84.94 D
VSE204FP	2" MALE ADAPTER x 2" FPT	2"	84.94 D
VSFMT204FP	2" MALE ADAPTER x 2" MPT	2"	84.94 D
VS204FP	2" FPT x 2" FPT	2"	84.94 D

STAINLESS STEEL STRAINER SCREENS

T - STRAINER SCREEN			
Part#	SIZE	Mesh	Price
LST130SS	3/4" & 1"	30	27.55 D
LST150SS	3/4" & 1"	50	27.55 D
LST180SS	3/4" & 1"	80	27.55 D
LST1100SS	3/4" & 1"	100	29.59 D
LST1530SS	1-1/2" & 2"	30	45.97 D
LST1550SS	1-1/2" & 2"	50	45.97 D
LST1580SS	1-1/2" & 2"	80	45.97 D
LST15100SS	1-1/2" & 2"	100	45.97 D



Y - STRAINER SCREEN			
Part#	SIZE	Mesh	Price
LS720SS	1/2" & 3/4"	20	34.74 D
LS740SS	1/2" & 3/4"	40	34.74 D
LS780SS	1/2" & 3/4"	80	34.74 D
LS120SS	1" & 1-1/4"	20	34.74 D
LS140SS	1" & 1-1/4"	40	34.74 D
LS180SS	1" & 1-1/4"	80	34.74 D
LS212SS	1-1/2" & 2"	12	62.66 D
LS220SS	1-1/2" & 2"	20	62.66 D
LS230SS	1-1/2" & 2"	30	62.66 D
LS250SS	1-1/2" & 2"	50	62.66 D
LS280SS	1-1/2" & 2"	80	62.66 D

Interchangeable with other brands

3-WAY BALL VALVE & REPLACEMENT PARTS



BOTTOM LOAD:
DIRECTIONAL FLOW, RIGHT OR LEFT
AND CAN BE TURNED OFF

SIDE LOAD:
DIRECTIONAL FLOW, RIGHT OR LEFT
AND CANNOT BE TURNED OFF



BANJO 3-WAY VALVES FEATURE:

- PRECISION MOLDED IN GLASS REINFORCED POLYPROPYLENE
- PTFE BUSHINGS & SEATS
- BALL IS DIAMOND TURNED AFTER MOLDING
- STAINLESS STEEL BOLTS

3-WAY BOTTOM LOAD			
PART#	THREAD SIZE	PORT SIZE	PRICE
BBV075BL	3/4"	1"	65.12 D
BBV100BL	1"	1"	65.12 D
BBV125BL	1-1/4"	1-1/2"	101.18 D
BBV150BL	1-1/2"	1-1/2"	101.18 D
BBV200BL	2"	2"	125.00 D

3-WAY SIDE LOAD			
PART#	THREAD SIZE	PORT SIZE	PRICE
BBV075SL	3/4"	1"	65.12 D
BBV100SL	1"	1"	65.12 D
BBV125SL	1-1/4"	1-1/2"	101.18 D
BBV150SL	1-1/2"	1-1/2"	101.18 D
BBV200SL	2"	2"	125.00 D

3-WAY BALL VALVE REPLACEMENT PARTS										
ITEM	SIZE AND DESCRIPTION									
VALVE	075BL	075SL	100BL	100SL	125BL	125SL	150BL	150SL	200BL	200SL
	VALVE BODY									
PART#	V07354B									V25354S
PRICE										24.65 D
	END PLATE									
PART#	V07357	V07357	V10257	V10257			V20257	V20257	V25356	V25356
PRICE			17.03 D	17.03 D			19.58 D	19.58 D	19.58 D	19.58 D
	STEM									
PART#	V10151A	V10151A	V10151A	V10151A	V20151M	V20151M	V20151M	V20151M	V25151B	V25151B
PRICE	5.85 D	5.85 D	5.85 D	5.85 D	11.98 D	11.98 D	11.98 D	11.98 D	17.78 D	17.78 D
	HANDLE									
PART#	V10353TB	V10153A	V10353TB	V10153A	V10353TB	V20153	V10353TB	V20153	V25353B	V25153SH
PRICE	7.00 D	7.10 D	7.00 D	7.10 D	7.00 D	11.98 D	7.00 D	11.98 D	19.58 D	19.58 D
	BALL									
PART#	V10355B	V10355S	V10355B	V10355S	V20355B	V20355S	V20355B	V20355S	V25355B	V25355S
PRICE	10.75 D	10.75 D	10.75 D	10.75 D	18.30 D	18.30 D	18.30 D	18.30 D	23.35 D	23.35 D
	BALL SEATS									
PART#	V10258	V10258	V10258	V10258					V25258	V25258
PRICE	9.43 D	9.43 D	9.43 D	9.43 D					18.23 D	18.23 D
	THRUST BUSHING									
PART#	V10060	V10060	V10060	V10060	V20060	V20060	V20060	V20060	V25060	V25060
PRICE	2.13 D	2.13 S	2.13 S	2.13 D	2.90 D	2.90 D	2.90 D	2.90 D	2.63 D	2.63 D
	STEM BUSHING									
PART#	V10159	V10159	V10159	V10159	V20159	V20159	V20159	V20159	V25160	V25160
PRICE	3.53 D	3.53 D	3.53 D	3.53 D	5.15 D	5.15 D	5.15 D	5.15 D	5.82 D	5.82 D
	STEM O-RING									
PART#					V20163	V20163	V20163	V20163	V25163	V25163
PRICE					3.68 D	3.68 D	3.68 D	3.68 D	4.68 D	4.68 D
	VALVE BODY O-RING									
PART#	V10264	V10264	V10264	V10264	V20264	V20264	V20264	V20264	V25264	V25264
PRICE	10.38 D	10.38 D	10.38 D	10.38 D	13.20 D	13.20 D	13.20 D	13.20 D	14.27 D	14.27 D

SINGLE UNION VALVE

FEATURES:

- * Glass reinforced polypropylene for strength & resistance
- * EPDM O-rings handle fertilizers & chemicals
- * Maximum operating pressure 100 P.S.I. at 70°F
- * PTFE seats for smooth operation & sealing
- * Double O-rings in stem for extra sealing

SINGLE UNION POLY BALL VALVE				
PART#	DESCRIPTION	THREAD SIZE	PORT SIZE	PRICE
BUV050FP	1/2" UNION VALVE	1/2"	1/2"	21.89 D
BUV075FP	3/4" UNION VALVE	3/4"	3/4"	21.89 D
BUV100FP	1" UNION VALVE	1"	1"	26.21 D
MSUV100FP	1" MANIFOLD UNION VALVE	1"	1"	24.74 D
BUV125FP	1-1/4" UNION VALVE	1-1/4"	1-1/4"	45.94 D
BUV150FP	1-1/2" UNION VALVE	1-1/2"	1-1/2"	46.67 D
BUV200FP	2" UNION VALVE	2"	2"	59.66 D



POLY MICRO VALVE



HOSEBARB MICRO VALE		
PART#	DESCRIPTION	PRICE
LVHB38V	3/8" Hosebarb	29.58 D
LVHB12V	1/2" Hosebarb	29.58 D
LVHB34V	3/4" Hosebarb	29.58 D



MICRO HOSEBARB X MALE NPT		
PART#	DESCRIPTION	PRICE
LVHB3812MTV	3/8" Hosebarb x 1/2" Male NPT	29.58 D
LVHB34MTV	3/4" Hosebarb x 3/4" Male NPT	29.58 D
LVHB34100MTV	3/4" Hosebarb x 1" Male NPT	33.83 D



MICRO FEMALE NPT/MANIFOLD		
PART#	DESCRIPTION	PRICE
LV14V	1/4" Female NPT	29.58 D
LV38V	3/8" Female NPT	29.58 D
LV12V	1/2" Female NPT	29.58 D
LV12SLV	1/2" Side Load	40.23 D



MICRO FEMALE/MALE NPT		
PART#	DESCRIPTION	PRICE
LV14MTV	1/4" Female x Male NPT	29.58 D
LV38MTV	3/8" Female x Male NPT	29.58 D
LV3812MTV	3/8" Female x 1/2" Male NPT	29.58 D
LV12MTV	1/2" Female x Male NPT	29.58 D
LV12100MTV	1/2" Female x 1" Male NPT	33.83 D

LOCKING MICRO VALVES



MICRO VALVES W/LOCKING HANDLE		
PART#	DESCRIPTION	PRICE
LV3812MTLV	3/8" Female x 1/2" Male NPT	40.23 D
LV12SLLV	1/2" Side Load	50.88 D
LV12100MTLV	1/2" Female x 1" Male NPT	44.48 D
LVHB34100MTLV	3/4" Hose Barb x 1" Male NPT	44.48 D

STAINLESS, BRASS & PVC CHECK VALVES

BRASS BALL VALVES
CHROME PLATED TO RESIST CORROSION
TEFLON SEATS & VITON SEALS
RATED AT 300 PSI
LEVER OR BUTTERFLY HANDLE

BRASS BALL VALVE		
PART#	DESCRIPTION	PRICE
90FFB18	1/8" FPT x 1/8" FPT	14.89 D
90FMB18	1/4" FPT x 1/4" MPT	14.89 D
90FFB14	1/4" FPT x 1/4" FPT	12.85 D
90FFL14	1/4" FPT x 1/4" FPT	12.85 D
90FMB14	1/4" FPT x 1/4" MPT	12.85 D
90FML14	1/4" FPT x 1/4" MPT	12.85 D
90FFB38	3/8" FPT x 3/8" FPT	12.85 D
90FFL38	3/8" FPT x 3/8" FPT	12.85 D
90FMB38	3/8" FPT x 3/8" MPT	12.85 D
90FML38	3/8" FPT x 3/8" MPT	12.85 D
90FFB12	1/2" FPT x 1/2" FPT	15.90 D
90FFL12	1/2" FPT x 1/2" FPT	15.90 D
90FMB12	1/2" FPT x 1/2" MPT	15.90 D
90FML12	1/2" FPT x 1/2" MPT	15.90 D
B=BUTTERFLY L-LEVER		



STAINLESS STEEL BALL VALVES
FULL PORT 316 STAINLESS STEEL
VALVE WITH LOCKING HANDLES
RATED AT 1000 PSI



STAINLESS STEEL BALL VALVE		
PART#	SIZE	PRICE
SSBV14	1/4"	39.02 D
SSBV38	3/8"	37.92 D
SSBV12	1/2"	41.43 D
SSBV34	3/4"	50.33 D
SSBV100	1"	76.84 D
SSBV114	1-1/4"	111.29 D
SSBV112	1-1/2"	151.25 D
SSBV200	2"	231.23 D
SSBV300	3"	550.00 D

FULL PORT BRASS BALL VALVES
CHROME PLATED BRASS BALL
TEFLON SEATS & SEALS
RATED AT 600 PSI



BRASS BALL VALVE		
PART#	SIZE	PRICE
BV14BR	1/4"	12.96 D
BV38BR	3/8"	12.37 D
BV12BR	1/2"	18.18 D
BV34BR	3/4"	24.15 D
BV100BR	1"	40.21 D
BV114BR	1-1/4"	72.12 D
BV112BR	1-1/2"	98.68 D
BV200BR	2"	125.22 D
BV300BR	3"	341.63 D

PVC CHECK VALVES

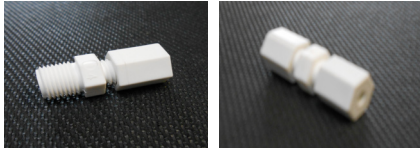


PVC CHECK VALVE			
PART#	INLET SIZE	OUTLET SIZE	PRICE
CV12	1/2" FPT	1/2" FPT	8.45 D
CV34	3/4" FPT	3/4" FPT	11.10 D
CV100	1" FPT	1" FPT	16.28 D
BCV100	1" FPT	1" FPT	29.70 D
CV114	1-1/4" FPT	1-1/4" FPT	21.63 D
CV112	1-1/2" FPT	1-1/2" FPT	22.50 D
CV200	2" FPT	2" FPT	27.98 D
BCV300	3" FPT	3" FPT	60.60 D
BCV301	3" FPT	3" FPT	59.70 D

PUSH-IN TUBING FITTINGS

1181

1182



CONNECTOR MODEL 1181		
PART#	SIZE	PRICE
1181	1/8"	5.71 A

UNION MODEL 1182		
PART#	SIZE	PRICE
1182	1/8"	8.25 A



HAND VALVE UNION			
PART#	Tube OD	Tube OD	PRICE
HVUC4	1/4"	1/4"	9.50 D
HVUC6	3/8"	3/8"	10.05 D
HVUC8	1/2"	1/2"	13.90 D



CROSS		
PART#	Tube OD	PRICE
JGCR6	3/8"	9.95 D



CHECK VALVE			
PART#	Tube OD	Tube OD	PRICE
JGCV4	1/4"	1/4"	17.68 D
JGCV5	5/16"	5/16"	17.68 D
JGCV6	3/8"	3/8"	18.10 D
JGCV8	1/2"	1/2"	19.05 D



FEMALE ADAPTER			
PART#	Tube OD	NPTF	PRICE
JGFC24	1/4"	1/8"	7.50 D
JGFC44	1/4"	1/4"	6.70 D
JGFC46	3/8"	1/4"	5.68 D
JGFC66	3/8"	3/8"	9.10 D



MALE CONNECTOR			
PART#	Tube OD	NPTF	PRICE
JGMC24	1/4"	1/8"	2.23 D
JGMC44	1/4"	1/4"	2.18 D
JGMC64	1/4"	3/8"	2.98 D
JGMC45	5/16"	1/4"	2.45 D
JGMC65	5/16"	3/8"	3.53 D
JGMC46	3/8"	1/4"	3.75 D
JGMC66	3/8"	3/8"	3.75 D
JGMC86	3/8"	1/2"	6.20 D
JGMC68	1/2"	3/8"	5.38 D
JGMC88	1/2"	1/2"	5.78 D



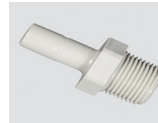
MALE ELBOW			
PART#	Tube OD	NPTF	PRICE
JGME24	1/4"	1/8"	2.95 D
JGME44	1/4"	1/4"	3.75 D
JGME64	1/4"	3/8"	4.03 D
JGME45	5/16"	1/4"	4.18 D
JGME65	5/16"	3/8"	5.65 D
JGME46	3/8"	1/4"	4.45 D
JGME66	3/8"	3/8"	4.58 D
JGME68	1/2"	3/8"	7.43 D



STEM ELBOW CONNECTOR		
PART#	Tube OD	PRICE
JGPE	3/8"	5.08 D



STEM TO REDUCER		
PART#	Tube OD	PRICE
JGRE64	3/8" to 1/4"	3.25 D



STEM ADAPTER			
PART#	Stem OD	NPTF	PRICE
JGSA24	1/4"	1/8"	1.28 D
JGSA44	1/4"	1/4"	1.15 D
JGSA45	5/16"	1/4"	1.08 D
JGSA65	5/16"	3/8"	1.85 D
JGSA46	3/8"	1/4"	1.25 D
JGSA66	3/8"	3/8"	1.70 D
JGSA68	1/2"	3/8"	2.93 D
JGSA88	1/2"	1/2"	2.63 D



TUBE BARB CONNECTOR			
PART#	Stem OD	Tube OD	PRICE
JGTBC44	1/4"	1/4"	2.00 D
JGTBC45	1/4"	5/16"	1.85 D
JGTBC54	5/16"	1/4"	2.25 D
JGTBC55	5/16"	5/16"	2.25 D
JGTBC56	5/16"	3/8"	2.85 D
JGTBC64	3/8"	1/4"	2.93 D
JGTBC66	3/8"	3/8"	3.15 D
JGTBC68	3/8"	1/2"	3.40 D
JGTBC86	1/2"	3/8"	4.28 D
JGTBC88	1/2"	1/2"	4.40 D



TUBE ELBOW BARB CONNECTOR			
PART#	Stem OD	Tube OD	PRICE
JGTBEC44	1/4"	1/4"	2.70 D
JGTBEC45	1/4"	5/16"	3.18 D
JGTBEC54	5/16"	1/4"	3.18 D
JGTBEC55	5/16"	5/16"	3.18 D
JGTBEC64	3/8"	1/4"	4.40 D
JGTBEC65	3/8"	5/16"	3.98 D

PUSH-IN TUBING FITTINGS



TUBE END STOP		
PART#	Tube OD	PRICE
JGTES4	1/4"	3.15 D
JGTES6	3/8"	2.63 D



TWO WAY DIVIDER			
PART#	Tube In	Tube Out	PRICE
JGTWD44	1/4"	1/4"	6.08 D
JGTWD55	5/16"	5/16"	5.15 D
JGTWD66	3/8"	3/8"	5.53 D
JGTWD88	1/2"	1/2"	9.78 D



TWO-WAY DIVIDER CONNECTOR		
PART#	Tube OD	PRICE
JGUD	3/8" inlet, 5/16 outlet	6.08 D



UNION CONNECTOR			
PART#	Tube OD	Tube OD	PRICE
JGUC44	1/4"	1/4"	2.93 D
JGUC45	5/16"	1/4"	6.43 D
JGUC55	5/16"	5/16"	3.38 D
JGUC46	3/8"	1/4"	4.05 D
JGUC56	3/8"	5/16"	4.35 D
JGUC66	3/8"	3/8"	3.95 D
JGUC68	1/2"	3/8"	5.45 D
JGUC88	1/2"	1/2"	4.93 D



ELBOW UNION			
PART#	Tube OD	Tube OD	PRICE
JGUL44	1/4"	1/4"	3.33 D
JGUL45	5/16"	1/4"	4.30 D
JGUL55	5/16"	5/16"	3.55 D
JGUL46	3/8"	1/4"	5.60 D
JGUL66	3/8"	3/8"	5.08 D
JGUL68	1/2"	3/8"	6.93 D
JGUL88	1/2"	1/2"	6.05 D



TEE UNION			
PART#	Run OD	Stem OD	PRICE
JGUT44	1/4"	1/4"	4.20 D
JGUT55	5/16"	5/16"	4.55 D
JGUT46	3/8"	1/4"	5.63 D
JGUT66	3/8"	3/8"	5.13 D
JGUT68	1/2"	3/8"	7.20 D
JGUT88	1/2"	1/2"	6.48 D

LINEAR GAUGE TUBING					
PART#	PRICE	DESCRIPTION	PART#	PRICE	DESCRIPTION
LGT14	0.28 D	1/4" BLACK per/Foot (135 PSI)	LGTC18	0.70 D	1/8" NATURAL per/Foot (PSI)
LGT14R	22.50 D	1/4" BLACK Roll 100'	LGTC18R	57.20 D	1/8" NATURAL Roll 100'
LGT14R5	112.50 D	1/4" BLACK Roll 500'	LGT38	0.60 D	3/8" BLACK per/Foot (120 PSI)
LGT14R1000	170.00 D	1/4" BLACK Roll 1,000'	LGT38R	55.00 D	3/8" BLACK Roll 100'
LGT14B	0.32 D	1/4" BLUE per/Foot (135 PSI)	LGT38R5	202.50 D	3/8" BLACK Roll 500'
LGT14BR	25.00 D	1/4" BLUE Roll 100'	LGTC38	0.60 D	3/8" NATURAL per/Foot (120 PSI)
LGT14BR5	122.00 D	1/4" BLUE Roll 500'	LGTC38R	55.00 D	3/8" NATURAL Roll 100'
LGT14G	0.32 D	1/4" GREEN per/Foot (135 PSI)	LGTC38R5	202.50 D	3/8" NATURAL Roll 500'
LGT14GR	25.00 D	1/4" GREEN Roll 100'	LGT12	0.60 D	1/2" BLACK per/Foot (90 PSI)
LGT14GR5	122.00 D	1/4" GREEN Roll 500'	LGT12R	55.00 D	1/2" BLACK Roll 100'
LGT14Y	0.32 D	1/4" YELLOW per/Foot (135 PSI)	LGTC12	0.60 D	1/2" NATURAL per/Foot (90 PSI)
LGT14YR	25.00 D	1/4" YELLOW Roll 100'	LGTC12R	55.00 D	1/2" NATURAL Roll 100'
LGT14YR5	122.00 D	1/4" YELLOW Roll 500'	LGTC12R5	202.50 D	1/2" NATURAL Roll 500'
LGTC14	0.32 D	1/4" NATURAL per/Foot (135 PSI)	CUTTER/REPLACEMENT BLADE		
LGTC14R	25.00 D	1/4" NATURAL Roll 100'	44103218	12.63 Y	Tube Cutter
LGTC14R5	122.00 D	1/4" NATURAL Roll 500'	44103219	3.72 Y	Replacement Blade



PART#	DESCRIPTION	PSI	SIZE	OPENING	PRICE
LVPL14V	1/4" Female NPT Micro Valve	150	1/4"	3/8"	34.90 D
LVPL38V	3/8" Female NPT Micro Valve	150	3/8"	3/8"	34.90 D



HOSE

*Add R to part number when ordering rolls.

PVC WATER SUCTION HOSE



PVC WATER SUCTION HOSE				
Part#	Size ID	PSI	Price/Ft.	Price/Roll
PVC34	3/4"	100	2.09 R	171.00 R
PVC100	1"	90	2.42 R	198.00 R
PVC114	1-1/4"	70	2.86 R	234.00 R
PVC112	1-1/2"	70	3.55 R	290.25 R
PVC200	2"	60	5.39 R	441.00 R
PVC212	2-1/2"	60	8.03 R	657.00 R
PVC300	3"	50	10.25 R	745.00 R
PVC400	4"	45		1,284.00 R
PVC500	5"	45		SPECIAL ORDER
PVC600	6"	35		SPECIAL ORDER

A PVC suction discharge hose for water, light chemicals and pumping service in the agricultural, rental, construction, marine and irrigation industries.

A smooth bore hose made of flexible abrasion resistant extruded clear PVC with a rigid PVC helix.

Standard roll length 100'.

EPDM FERTILIZER SOLUTION SUCTION HOSE (BUMBLE BEE)



EPDM FERTILIZER SOLUTION SUCTION HOSE				
Part#	Size ID	PSI	Price/Ft.	Price/Roll
BEE100	1"	80	3.52 R	282.00 R
BEE114	1-1/4"	70	3.98 R	326.25 R
BEE112	1-1/2"	60	4.25 R	350.00 R
BEE200	2"	60	6.00 R	522.00 R
BEE300	3"	50	10.25 R	922.00 R
BEE400	4"	45		SPECIAL ORDER

A EPDM with polyethylene helix reinforcement that serves as a scuff strip. A light weight, rugged, flexible suction and discharge hose for the agricultural, rental, mining and construction industries.

Hose is resistant to diluted herbicides & fertilizers and has good flexibility even in cold weather.

Standard roll length 100'.

REINFORCED EPDM FERTILIZER SUCTION HOSE (ENFORCER)



REINFORCED EPDM FERTILIZER SOLUTION SUCTION HOSE					
Part#	Size ID	PSI	Price/Ft.	Price 50' Roll	Price 100' Roll
EFSH 114	1-1/4"		6.82 R		558.00 R
EFSH112	1-1/2"	100	7.26 R	297.00 R	594.00 R
EFSH200	2"	60	10.04 R	410.63 R	821.25 R
EFSH300	3"	50	17.11 R	699.75 R	1,399.50 R
EFSH400	4"	45			3,000.00 R

A reinforced, flexible suction & discharge hose. Hose is resistant to diluted pesticides and has good flexibility even in cold weather.

Standard roll length 100'.

DUE TO THE VOLATILITY OF THE PETROLEUM MARKET, HOSE PRICES ARE SUBJECT TO CHANGE.

**Add R to part number when ordering rolls.*

CHEM-FLEX X-LINK CHEMICAL SUCTION HOSE



CHEMFLEX X-LINK CHEMICAL SUCTION HOSE			
Part#	Size ID	PSI	Price/Ft
XLINK114	1-1/4"	200	25.54 R
XLINK112	1-1/2"	200	25.69 R
XLINK200	2"	200	30.72 R
XLINK300	3"	150	51.48 R

Recommended for general undiluted chemical transfer.

Cover is EPDM that is abrasion and oil resistant. Tube is two plies of synthetic textile cord and a wire helix.

Standard roll length 100'.



RUBBER SPRAY HOSE

RUBBER SPRAY HOSE - 2 SPIRAL POLYESTER YARN				
Part#	Size ID	PSI	Price/Ft	Price/Roll
RSH14	1/4"	200	1.29 R	110.00 R
RSH38	3/8"	200	1.32 R	119.70 R
RSH12	1/2"	200	1.95 R	175.00 R
RSH58	5/8"	200	2.61 R	
RSH34	3/4"	200	2.90 R	239.25 R
RSH100	1"	200	4.04 R	328.00 R
RSH200	2"	200	16.25 R	Call for Price

RUBBER SPRAY HOSE - 4 SPIRAL POLYESTER YARN				
Part#	Size ID	PSI	Price/Ft	Price/Roll
RSH14HD	1/4"	300	1.90 R	175.00 R
RSH38HD	3/8"	300	2.00 R	175.00 R
RSH12HD	1/2"	300	2.85 R	230.00 R
RSH58HD	5/8"	300	4.00 R	350.00 R
RSH34HD	3/4"	300	3.50 R	270.00 R
RSH100HD	1"	200	5.75 R	365.00 R
RSH114HD	1-1/4"	150	8.50 R	Call for Price
RSH112HD	1-1/2"	150	10.25 R	Call for Price

Black EPDM rubber with a 2 or 4 spiral yarn reinforced tube.

General purpose, flexible pressure hose for various agricultural, construction and industrial purposes.

Standard roll length 100'.

EPDM RUBBER WIRE SUCTION HOSE



EPDM RUBBER WIRE SUCTION HOSE				
Part#	Size ID	PSI	Price/Ft	Price/Roll
RWS100	1"	150	12.29 R	Call for Price
RWS114	1-1/4"	150	11.75 R	Call for Price
RWS112	1-1/2"	150	11.85 R	Call for Price
RWS200	2"	120	15.35 R	Call for Price
RWS300	3"	85	19.53 R	Call for Price
RWS400	4"	75		Call for Price

A lightweight and flexible hose for the agricultural and industrial industries.

The smooth EPDM tube is adaptable as a material handling, vacuum or ducting hose.

Spiral helix wire adds flexibility and crush resistance.

EPDM cover is resistant to abrasion and rough handling conditions.

Standard roll length 100'.

DUE TO THE VOLATILITY OF THE PETROLEUM MARKET, HOSE PRICES ARE SUBJECT TO CHANGE.

HOSE

**Add R to part number when ordering rolls.*

PVC SIGHT GAUGE HOSE



Clear, flexible and lightweight tubing that provides full-flow viewing.
 Temperature range: -20F to 150F.
Standard roll length 100' for 1/4" to 1"
50' for 1-1/4" to 2".

PVC SIGHT GAUGE HOSE				
Part#	Size ID	PSI	Price/Ft	Price/Roll
SGH14	1/4"	70	.88 R	69.00 R
SGH38	3/8"	60	1.16 R	75.00 R
SGH12	1/2"	45	1.71 R	139.50 R
SGH58	5/8"	40	2.20 R	180.00 R
SGH34	3/4"	35	2.20 R	180.00 R
SGH100	1"	25	2.90 R	240.75 R
SGH114	1-1/4"	40	9.19 R	375.75 R
SGH112	1-1/2"	35	15.15 R	619.88 R
SGH200	2"	30	CALL FOR PRICING	

BRAIDED VINYL TUBING



PVC sight gauge tubing with braided reinforcing. Use when a clear hose needing higher working pressure and reinforcement is required.

Standard roll length: 100' for 1/4" to 3/4"
100' for 1".

BRAIDED VINYL TUBING				
Part#	Size ID	PSI	Price/Ft	Price/Roll
BSGH14	1/4"	250	.74 R	162.00 R/300'
BSGH38	3/8"	225	1.13 R	92.63 R
BSGH12	1/2"	200	1.57 R	128.81 R
BSGH58	5/8"	200	1.79 R	145.37 R
BSGH34	3/4"	150	2.39 R	195.23 R
BSGH100	1"	125	3.22 R	263.12 R
BSGH114	1-1/4"		5.84 R	
BSGH112	1-1/2"		6.66 R	

Profile formulated to comply with FDA requirements.
 Clear Polyvinyl Chloride reinforced with a synthetic cord.
 Temperature range: -20F to 150F.

EVA TUBING



Used in agricultural, lawn and chemical transfer. Handles common herbicides and insecticide solutions. Used for the application of anhydrous ammonia, aqua ammonia, herbicides, phosphates and all liquid fertilizers.

Standard roll length: 500' for 1/4" to 1/2"
300' for 1/2"
250' for 5/8" to 3/4"
100' for 1"

Ethyl vinyl acetate plastic tubing.
 Good chemical and weather resistance.
 Temperature range: -50F to 125F.

EVA TUBING				
Part#	Size ID	PSI	Price/Ft	Price/Roll
EVA14	1/4"		.72 R	
EVA14R5 (500')	1/4"			292.50 R
EVA38	3/8"	75	.96 R	
EVA38R5 (500')	3/8"	75		390.00 R
EVA38B (Black)	3/8"		.96 R	
EVA38BR5 (Black 500')				390.00 R
EVA12	1/2"	75	1.07 R	
EVA12R5 (500')	1/2"	75		438.75 R
EVA12B (Black)	1/2"		1.12 R	
EVA12BR5 (Black 500')	1/2"			461.25 R
EVA58	5/8"	75	1.43 R	
EVA58R1 (100')	5/8"	75		111.17 R
EVA34	3/4"	60	1.75 R	
EVA34R2.5 (250')	3/4"	60		365.00 R
EVA100	1"	60	2.30 R	
EVA100R (100')	1"	60		189.86 R

DUE TO THE VOLATILITY OF THE PETROLEUM MARKET, HOSE PRICES ARE SUBJECT TO CHANGE.

**Add R to part number when ordering rolls.*

BRAIDED EVA TUBING



Used in agricultural, lawn and chemical transfer. Handles common herbicides and insecticide solutions. Used for the application of anhydrous ammonia, aqua ammonia, herbicides, phosphates and all liquid fertilizers.
Standard roll length: 300' for 1/4" to 3/4" 200' for 1"

BRAIDED EVA TUBING				
Part#	Size ID	PSI	Price/Ft	Price/Roll
BEVA14	1/4"	250	1.35 R	330.75 R
BEVA38	3/8"	225	1.98 R	486.00 R
BEVA12	1/2"	200	2.26 R	553.50 R
BEVA58	5/8"	200	3.30 R	810.00 R
BEVA34	3/4"	150	2.50 R	400.50 R
BEVA100	1"	125	4.25 R	693.00 R

Ethyl vinyl acetate plastic tubing. Good chemical and weather resistance.
 Temperature range: -50F to 125F.

PVC DISCHARGE HOSE



Discharge hose for water, light chemicals and the pumping service in the agricultural, rental, construction, marine and irrigation industries. Strong, lightweight, non-water-absorbing and mildew-proof hose that rolls up flat for easy storage.
Standard roll length 300'.

PVC DISCHARGE HOSE				
Part#	Size ID	PSI	Price/Ft	Price/Roll
PVCD114	1-1/4"	80	1.98 R	438.45 R
PVCD112	1-1/2"	75	1.07 R	263.25 R
PVCD200	2"	70	1.35 R	330.67 R
PVCD212	2-1/2"	60	2.78R	681.75 R
PVCD300	3"	55	2.00 R	500.00 R
PVCD400	4"	45	3.00 R	825.00 R
PVCD600	6"	40	5.50 R	1,400.00 R
PVCD800	8"	35	SPECIAL ORDER	

Tube and cover are PVC reinforced with 3 ply polyester yarns.
 Temperature range: -5F to 130F.

PVC HEAVY-DUTY DISCHARGE HOSE



Discharge hose for water, light chemicals and the pumping service in the agricultural, rental, construction, marine and irrigation industries. Strong, lightweight, non-water-absorbing and mildew-proof hose that rolls up flat for easy storage.
Standard roll length 300'.

PVC HEAVY-DUTY DISCHARGE HOSE				
Part#	Size ID	PSI	Price/Ft	Price/Roll
PVCDHD112	1-1/2"	150	1.80 R	475.00 R
PVCDHD200	2"	150	3.25 R	775.00 R
PVCDHD300	3"	150	6.25 R	1,400.00 R
PVCDHD400	4"	150	6.25 R	1,400.00 R
PVCDHD600	6"	150	SPECIAL ORDER	
PVCDHD800	8"	115	SPECIAL ORDER	

Tube and cover are PVC reinforced with 3 ply polyester yarns.
 Temperature range: -5F to 130F

DUE TO THE VOLATILITY OF THE PETROLEUM MARKET, HOSE PRICES ARE SUBJECT TO CHANGE.

HOSE

**Add R to part number when ordering rolls.*

PVC SPRAY HOSE



PVC SPRAY HOSE				
Part#	Size ID	PSI	Price/Ft	Price/Roll
YPVC38	3/8"	600	1.55 R	345.00 R
YPVC12	1/2"	600	2.00 R	475.00 R
YPVC58	5/8"	600	5.23 R	1,282.50 R
YPVC34	3/4"	600	3.75 R	787.50 R

PVC high pressure spray hose for use with fertilizer, herbicides and insecticides in both agricultural, lawn spray service, carpet cleaning and roof cleaning industries.

Standard roll length 300'.

PVC Tube and cover, co-extrude with single braided synthetic cord. Black tube and yellow ribbed nonmarking cover, lightweight, flexible abrasion resistant hose.

620 WD DUCT HOSE



620 WD DUCT HOSE		
Part#	Size ID	Working PSI
620WD3	3"	12
620WD4	4"	9
620WD5	5"	7
620WD6	6"	6
620WD7	7"	5
620WD8	8"	4
620WD10	10"	3
620WD12	12"	3

CALL FOR PRICE

General ducting and blower applications.

For use with lightweight abrasives.

Construction : EPDM rubber, metal wire helix, smooth bore, slightly corrugated OD.

Rated for -40 to 220 degrees. Abrasion resistant yet very flexible.

100% rubber sidewall (no fabric).

DUE TO THE VOLATILITY OF THE PETROLEUM MARKET, HOSE PRICES ARE SUBJECT TO CHANGE.

UNIVERSAL HOSE REEL

ELECTRIC:

PART# HR200ESS (2") \$1,949.00 Y

PART# HR300ESS (3") \$2,999.00 Y

FEATURES:

SPECIAL SEALED SWIVEL
 SWIVEL 2" FULL PORT
 POSITIVE TRANSPORT LOCK
 LARGE HOSE CAPACITY
 (65' - 2" OR 105' - 1-1/2")
 EASY RETRIEVE (3-1 REDUCTION)
 MOUNTS IN MINUTES
 STAINLESS STEEL SWIVEL

MANUAL:

PART# HR200SS (2") \$1,325.00 Y

ADVANTAGES:

CRANK MOUNTS ON EITHER SIDE
 LOAD FROM THE ROAD
 DOUBLE OR TRIPLE HOSE LIFE
 EXCELLENT HOSE STORAGE
 REDUCE OPERATOR FATIGUE
 STAINLESS STEEL SWIVEL



HOSE CLAMPS



T-BOLT HOSE CLAMPS				
Part#	Min Dia	Max Dia	Size	Price
TBC120	1.20"	1.34"	75 in-lbs	9.15 D
TBC150	1-3/8"	1-9/16"	1-1/2"	6.18 R
TBC175	1-5/8"	1-13/16"	1-3/4"	6.18 R
TBC188	1-3/4"	1-15/16"	1-7/8"	9.25 R
TBC200	1-7/8"	2-1/16"	2"	6.18 R
TBC225	2-1/8"	2-5/16"	2-1/4"	6.18 R
TBC238	2-1/4"	2-7/16"	2-3/8"	6.18 R
TBC250	2-3/8"	2-9/16"	2-1/2"	6.18 R
TBC256	2-11/32"	2-5/8"	2-9/16"	6.18 R
TBC263	2-13/16"	2-11/16"	2-5/8"	6.18 R
TBC275	2-17/32"	2-13/16"	2-13/16"	6.18 R
TBC300	2-25/32"	3-1/16"	3"	6.18 R
TBC312	2-29/32"	3-3/16"	3-1/8"	6.18 R
TBC325	3-1/32"	3-5/16"	3-1/4"	6.18 R
TBC350	3-9/32"	3-9/16"	3-1/2"	6.18 R
TBC375	3-17/32"	3-13/16"	3-3/4"	6.18 R
TBC400	3-25/32"	4-1/16"	4"	6.18 R
TBC450	4-9/32"	4-9/16"	4-1/2"	6.18 R
TBC475	4-17/32"	4-13/16"	4-3/4"	6.18 R

WORM GEAR HOSE CLAMPS			
Part#	Min Dia	Max Dia	Price
HCSS006	3/8"	7/8"	1.33 D
HCSS008	7/16"	1"	1.45 D
HCSS010	9/16"	1-1/16"	1.45 D
HCSS012	9/16"	1-1/4"	1.45 D
HCSS016	11/16"	1-1/2"	1.48 D
HCSS020	3/4"	1-3/4"	1.48 D
HCSS024	1-1/16"	2"	1.48 D
HCSS028	1-5/16"	2-1/4"	1.48 D
HCSS036	1-13/16"	2-3/4"	1.55 D
HCSS048	2-9/16"	3-1/2"	1.55 D
HCSS052	1-7/8"	3-3/4"	1.78 D
HCSS056	3-1/16"	4"	1.65 D
HCSS064	2-1/2"	4-1/2"	1.70 D
HCSS072	3-1/8"	5"	1.90 D
HCSS096	4-3/4"	6-1/2"	4.43 D
HCSS104	4"	7"	4.60 D



Micro Worm Gear Hose Clamps			
Part#	Min Dia	Max Dia	Price
HCSS5S	7/16"	11/16"	0.96 D
HCSS6S	1/4"	5/8"	0.96 D
HCSS8S	7/16"	1"	0.96 D

PRESSURE SEAL HD CLAMP			
Part#	Min Dia	Max Dia	Price
PC238	1.62"	2.12"	6.25 D
PC275	2.00"	2.50"	6.25 D
PC288	2.12"	2.62"	6.25 D
PC300	2.25"	2.75"	6.25 D
PC325	2.50"	3.00"	6.50 D
PC350	2.75"	3.25"	6.50 D
PC375	2.88"	3.50"	6.50 D
PC400	3.12"	3.75"	6.50 D
PC425	3.31"	4.00"	7.50 D
PC450	3.44"	4.25"	7.50 D
PC512	4.06"	4.87"	7.50 D

Skin Saver

Protect users from cuts and scrapes.



SKIN SAVER			
PART#	USE ON	BAG QTY	PRICE
KSS500-10	Hose Clamp 1/2" Band Width	10	2.20 D
KSS625-10	Hose Clamp 5/8" Band Width	10	2.20 D
KSS562-100	Flange Clamp	10	2.20 D

INSPECTION AND CARE OF ANHYDROUS AMMONIA HOSE

IMPORTANT - READ CAREFULLY

Anhydrous Ammonia hose has a limited life and the user must be alert to signs of impending failure. Periodic inspection and testing, as described in Rubber Manufacturers Association (RMA) publication IP-11-12, is recommended to detect signs indicating hose deterioration or loss of performance before conditions leading to malfunction or failure are reached.

All new hose assemblies should be inspected prior to use to determine if they have been damaged in storage or shipment. Hose subjected to severe usage - for example, dragged over sharp rock surfaces, or sharply bent in storage or continually exposed to weather - will deteriorate more rapidly than carefully handled hose. The hose should be visually inspected each day before use.

INSPECTION PROCEDURE:

Lay out the full length of the hose in a clean and preferably dry area. Inspect the outside cover of the hose for blistering, excessive abrasion or cuts, and coupling slippage. This inspection will be made when the hose is not under pressure.

#1

Cuts in hose cover which expose or damage the reinforcement are **cause for immediate replacement**.

Small cuts, nicks or gouges in the cover which do not go completely through the cover are not cause for replacement of the hose. Hose strength is controlled by plies of reinforcement, and for this reason, damage in this area cannot be tolerated.

Note: Pricking the hose cover is necessary for satisfactory hose performance. A uniformly pricked cover should not be viewed with alarm.

#2

Damaged to the textile or wire braid is cause for immediate hose replacement. Wire braid reinforced hose that has been kinked or flattened, so as to permanently deform the wire braid in the depressurized state, **shall be removed from service**.

#3

Blistered or loose outer cover is **cause for immediate hose replacement**.

#4

Examine couplings for slippage. **Only permanently attached fittings are to be used with anhydrous ammonia hose. Bolt on or clamp on type fittings must not be used.**

WARNING:

A failure in service can result in injury to personnel or damage to property. Do not use at temperatures or pressures above those recommended by Parker Dayco. Anhydrous ammonia is extremely volatile - and poisonous - in both liquid and gaseous (vapor) states. Contact with either state of anhydrous ammonia will burn skin and is especially damaging to the eyes and lungs. Improper hose applications or failure to inspect the hose may lead to life-threatening situations, poisonous gas leakages, fires or explosions. Do not use anhydrous ammonia hose for LP gas, natural gas or refrigeration applications. Do not use with male swivel couplings. Do not use LP gas hose for anhydrous ammonia applications.

NOTE: See price sheet for factory coupled assemblies.

ASSEMBLIES ARE AVAILABLE WITH STAINLESS STEEL OR NYLON REINFORCEMENT WITH TWO M X M CRIMP-ON FITTINGS. APACHE COUPLED HOSES CARRY A PRORATED WARRANTY.

NOTE: Warranty on bulk anhydrous ammonia hose is valid **ONLY** when coupled by a Parker Dayco certified coupler, using Parker Dayco specified couplings.

ANHYDROUS AMMONIA HOSE

Anhydrous ammonia hose designed to handle NH3 to 350psi working pressure with 5:1 safety factor (175psi minimum burst).

Degradation resistant nylon reinforcement provided flexibility with high tensile strength.

Synthetic cover provides excellent ozone and abrasion resistance.

Compatible with N-Serve when used in recommended concentrations.

Meets or exceeds RMA/TFI/ANSI.

Warning:

For anhydrous ammonia use only. DO NOT use LP, natural gas or refrigeration applications. DO NOT use with male swivel couplings.

Tube: Permeation resistant synthetic compound.

Cover: Perforated with green stripe.

Reinforcement: Multiple nylon braids.

Branding: (Side 1 embossed) Dayco USA 7262 Nylon Anhydrous Ammonia - (mfg year) - Remove no later than (year) - 350psi MAXWP RMA (s/n) - Caution Anhydrous Ammonia Use Only. (Side 2) Green identification stripe.



NH3 HOSE ASSEMBLIES

NH3 HOSE ASSEMBLIES				NH3 HOSE ASSEMBLIES			
1" NH3 HOSE w/CRIMPED 1" MPT END				1-1/4" NH3 HOSE w/CRIMPED 1-1/4" MPT ENDS			
Part#	Size ID	Length	PSI	Part#	Size ID	Length	PSI
AAHA100-3	1"	3'	350	AAHA114-3	1-1/4"	3'	350
AAHA100-5	1"	5'	350	AAHA114-5	1-1/4"	5'	350
AAHA100-8	1"	8'	350	AAHA114-8	1-1/4"	8'	350
AAHA100-10	1"	10'	350	AAHA114-10	1-1/4"	10'	350
AAHA100-12	1"	12'	350	AAHA114-12	1-1/4"	12'	350
AAHA100-15	1"	15'	350	AAHA114-15	1-1/4"	15'	350
AAHA100-18	1"	18'	350	AAHA114-20	1-1/4"	20'	350
				AAHA114-25	1-1/4"	25'	350

**Custom sizes available: 1" , 1-1/4" & 1-1/2".
NH3 hose w/crimped male pipe thread ends.
Call for pricing.**

DUE TO THE VOLATILITY OF THE PETROLEUM MARKET, HOSE PRICES ARE SUBJECT TO CHANGE.

PRESSURE GAUGES & ACCESSORIES

ANHYDROUS AMMONIA GAUGE			
Part#	Range	Dial Size	Price
AAG60-212	0-60 PSI	2-1/2"	21.29 D
AAG60-400	0-60 PSI	4"	41.85 D
AAG160-212	0-160 PSI	2-1/2"	21.29 D
AAG160-400	0-160 PSI	4"	41.85 D
AAG400-212	0-400 PSI	2-1/2"	21.29 D
AAG400-400	0-400 PSI	4"	41.85 D



ANHYDROUS AMMONIA

BACK MOUNT GAUGE			
Part#	Range	Dial Size	Price
BMSG30-112	0-30 PSI	1-1/2"	9.09 D
BMSG60-200	0-60 PSI	2"	9.84 D
BMSG60-212	0-60 PSI	2-1/2"	12.25 D
BMSG100-200	0-100 PSI	2"	9.84 D
BMSG100-212	0-100 PSI	2-1/2"	12.25 D
BMSG160-200	0-160 PSI	2"	9.84 D



BACK MOUNT GAUGE

GLYCERIN FILLED GAUGE			
Part#	Range	Dial Size	Price
GSG15-400SS	15 PSI	4"	65.25 D
GSG60-212	60 PSI	2-1/2"	20.58 D
GSG60-400	60 PSI	4"	65.25 D
GSG60SS-212	60 PSI	2-1/2"	54.20 D
GSG60SS-400	60 PSI	4"	100.47 D
GSG100-212	100 PSI	2-1/2"	20.58 D
GSG100-400	100 PSI	4"	65.25 D
GSG100SS-212	100 PSI	2-1/2"	54.20 D
GSG100SS-400	100 PSI	4"	100.47 D
GSG150SS-212	150 PSI	2-1/2"	54.20 D
GBMSG160-400*	160 PSI	4"	65.27 D
GSG160-212	160 PSI	2-1/2"	20.58 D
GSG160-400	160 PSI	4"	65.25 D
GSG160SS-212	160 PSI	2-1/2"	54.20 D
GSG200-212	200 PSI	2-1/2"	20.58 D
GSG200-400	200 PSI	4"	65.25 D
GSG300-212	300 PSI	2-1/2"	20.58 D
GSG300SS-212	300 PSI	2-1/2"	54.20 D
GSG300SS-400	300 PSI	4"	100.47 D
GSG400-212	400 PSI	2-1/2"	20.58 D
GSG400-400	400 PSI	4"	65.25 D
GSG400SS-212	400 PSI	2-1/2"	54.20 D
GSG1000-212	1000 PSI	2-1/2"	20.58 D
GSG1500SS-212	1500 PSI	2-1/2"	54.20 D
GSG3000-212	3000 PSI	2-1/2"	20.58 D

* Back Mount Gauge



GLYCERIN FILLED



SPRAYER GAUGE

SPRAYER GAUGE			
Part#	Range	Dial Size	Price
SG30-212	30 PSI	2-1/2"	11.53 D
SG60-200	60 PSI	2"	9.26 D
SG60-212	60 PSI	2-1/2"	11.53 D
SG60-400	60 PSI	4"	23.96 D
SG100-200	100 PSI	2"	9.26 D
SG100-212	100 PSI	2-1/2"	11.53 D
SG100-400	100 PSI	4"	23.96 D
SG160-112	160 PSI	1-1/2"	9.09 D
SG160-200	160 PSI	2"	9.26 D
SG160-212	160 PSI	2-1/2"	11.53 D
SG160-400	160 PSI	4"	30.73 D
SG200-212	200 PSI	2-1/2"	11.53 D
SG200-400	200 PSI	4"	23.96 D
SG300-200	300 PSI	2"	9.26 D
SG300-212	300 PSI	2-1/2"	11.53 D
SG400-212	400 PSI	2-1/2"	11.53 D
SG400-400	400 PSI	4"	30.73 D



VACUUM GAUGE

VACUUM GAUGE			
Part#	Range	Dial Size	Price
VG30-400	30 PSI	4"	30.73 D

REDUCING COUPLER			
Part#	FPT	MPT	Price
MF1814B	1/4"	1/8"	6.10 D



HYPRO LINE STRAINERS

**HYPRO POLYPROPYLENE STRAINERS
HAVE A STAINLESS STEEL SCREEN AND EPDM GASKETS.
POLYPROPYLENE IS MOST RESISTANT TO ACIDS.
RATING: 80 PSI @ 70 DEGREES F.**



HYPRO POLYPROPYLENE LINE STRAINERS			
Part#	NPT Thread	Mesh	Price
3350-0085A	1/4"F & 1/2"M	20ss	22.61 R
3350-0079A	1/4"F & 1/2"M	50ss	16.69 R
3350-0082A	1/4"F & 1/2"M	80ss	16.69 R
3350-0056A	1/2"	20ss	25.44 R
3350-0046A	1/2"	50ss	25.44 R
3350-0043A	1/2"	80 on 20ss	27.42 R
3350-0040A	3/4"	20ss	27.42 R
3350-0034A	3/4"	50ss	27.42 R
3350-0035A	3/4"	80 on 20ss	29.41 R
3350-0057A	1"	20ss	37.35 R
3350-0058A	1"	50ss	37.35 R
3350-0059A	1"	80 on 20ss	41.74 R
3350-0071A	1-1/4"	20ss	41.74 R
3350-0072A	1-1/4"	50ss	41.74 R
3350-0073A	1-1/4"	80 on 20ss	53.58 R
3350-0112A	1-1/2"	20ss	45.43 R
3350-0113A	1-1/2"	50ss	45.43 R
3350-0114A	1-1/2"	80 on 20ss	54.63 R

REPLACEMENT SCREENS	
Part#	Price
3800-0048 (20 Mesh)	8.59 R
3800-0046 (50 Mesh)	4.23 R
3800-0047 (80 Mesh)	8.36 R
3800-0029 (20 Mesh)	12.44 R
3800-0025 (50 Mesh)	10.52 R
3800-0026 (80/20 Mesh)	16.87 R
3800-0029 (20 Mesh)	12.44 R
3800-0025 (50 Mesh)	10.52 R
3800-0026 (80/20 Mesh)	16.87 R
3800-0040 (20 Mesh)	15.55 R
3800-0041 (50 Mesh)	15.55 R
3800-0042 (80/20 Mesh)	26.17 R
3800-0043 (20 Mesh)	15.55 R
3800-0044 (50 Mesh)	15.55 R
3800-0045 (80/20 Mesh)	29.60 R
3800-0065 (20 Mesh)	25.79 R
3800-0066 (50 Mesh)	22.78 R
3800-0067 (80/20 Mesh)	36.78 R

REPLACEMENT PARTS						
ITEM	SIZE AND DESCRIPTION					
	1/4"F & 1/8"M	1/2"	3/4"	1"	1-1/4"	1-1/2"
Cap						
PART#	3351-0035	3351-0037	3351-0038	3351-0040	3351-0041	3351-0042
PRICE	4.47 R	11.34 R	11.80 R	20.67 R	24.57 R	29.11 R
Bowl						
PART#	3351-0036	3351-0039	3351-0039	3351-0043	3351-0043	3351-0043
PRICE	4.13 R	7.72 R	7.72 R	30.35 R	30.35 R	30.35 R
Gasket						
PART#	1700-0090			1700-0092	1700-0092	1700-0092
PRICE	1.51 A			2.60 A	2.60 A	2.60 A

Y-STRAINERS & SCREENS



BANJO Y-LINE STRAINER FEATURES:

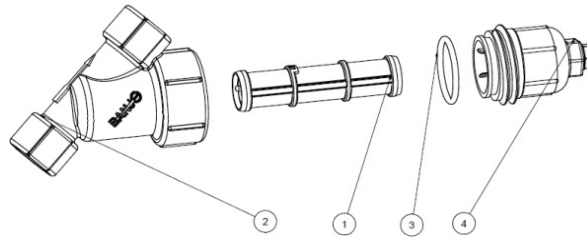
- *MANUFACTURED FROM GLASS REINFORCED POLYPROPYLENE
- *PRECISION MOLDED
- *CORROSION RESISTANT
- *SIZES FROM 1/2" TO 3"
- *6 TO 80 MESH SCREENS
- *CLEAN OUT PLUG ON 1-1/2", 2" & 3"
- *EPDM GASKETS STANDARD
- *PRESSURE RATINGS:
 1/2" TO 1-1/4" - 75 PSI
 1-1/2" TO 2" - 150 PSI
 3" - 75 PSI (SUCTION SIDE ONLY)

Y-LINE STRAINERS		
Part#	Size	Price
BLS50B/C1	1/2"	23.78 D
BLS75B/C1	3/4"	23.78 D
BLS100B/C1	1"	23.78 D
BLS125B/C1	1-1/4"	23.78 D
BLS150B/C	1-1/2"	53.30 D
BLS200B/C	2"	53.30 D
BLSM300BC	3"	455.00 D



Y-LINE STRAINER REPLACEMENT SCREENS							
ITEM	SIZE & DESCRIPTION						
	1/2"	3/4"	1"	1-1/4"	1-1/2"	2"	3"
6 MESH (WHITE)							
PART#					BLS206	BLS206	
PRICE					58.95 D	58.95 D	
8 MESH							
PART#							BLS308
PRICE							177.44 D
12 MESH (BLACK)							
PART#					BLS212	BLS212	BLS312
PRICE					53.57 D	53.57 D	177.44 D
20 MESH (BEIGE)							
PART#	BLS720	BLS720	BLS120	BLS120			BLS320
PRICE	29.79 D	29.79 D	29.79 D	29.79 D			161.28 D
30 MESH (YELLOW) ***NEW COLOR - FLAME RED							
PART#					BLS230	BLS230	
PRICE					53.57 D	53.57 D	
40 MESH (BROWN)							
PART#	BLS740	BLS740	BLS140	BLS140			
PRICE	27.09 D	27.09 D	29.79 D	29.79 D			
50 MESH (RED) ***NEW COLOR - GENETIAN BLUE							
PART#			BLS150	BLS150	BLS250	BLS250	BLS350
PRICE			29.79 D	29.79 D	53.57 D	53.57 D	161.28 D
80 MESH (BLUE) ***NEW COLOR - ZINC YELLOW							
PART#	BLS780	BLS780	BLS180	BLS180	BLS280	BLS280	
PRICE	29.79 D	29.79 D	27.09 D	27.09 D	53.57 D	53.57 D	
100 MESH (GREEN)							
PART#					BLS2100	BLS2100	
PRICE					58.95 D	58.95 D	
120 MESH (BLACK)							
PART#					BLS2120	BLS2120	
PRICE					58.95 D	58.95 D	

Y-STRAINER PARTS, SUCTION BASKET & KLEEN FLO LAKE STRAINER



Y-LINE STRAINER REPLACEMENT PARTS						
ITEM	SIZE & DESCRIPTION					
	1/2"	3/4"	1"	1-1/4"	1-1/2"	2"
Gasket						
PART#	BLS75-G	BLS75-G	BLS100-G	BLS100-G	BLS150-G	BLS150-G
PRICE	3.90 D	3.90 D	5.13 D	5.13 D	5.13 D	5.13 D
Gasket - Viton						
PART#	BLS75-GV	BLS75-GV	BLS100-GV	BLS100-GV	BLS150-GV	BLS150-GV
PRICE	8.13 D	8.13 D	9.38 D	9.38 D	18.58 D	18.58 D
Body, Cap & Gasket						
PART#		BLS75B/C1	BLS100B/C1	BLS125B/C1	BLS150B/C	BLS200B/C
PRICE		23.78 D	23.78 D	23.78 D	53.30 D	53.30 D
Body						
PART#						
PRICE						
End Cap						
PART#			BLS100-C1	BLS100-C1	BLS150-C	BLS150-C
PRICE			20.13 D	20.13 D	34.98 D	34.98 D
Drain Plug						
PART#	12723	12723	12777	12777	BLSQ200-PL	BLSQ200-PL
PRICE	2.68 D	2.68 D	3.78 D	3.78 D	4.40 D	4.40 D
EPDM O-ring for Drain Plug						
PART#	12724	12724	UV15163	UV15163	BLSQ200-R	BLSQ200-R
PRICE	1.23 D	1.23 D	1.33 D	1.33 D	1.38 D	1.38 D
Viton O-ring for Drain Plug						
PART#			UV15163V	UV15163V	BLSQ200-RV	BLSQ200-RV
PRICE			5.18 D	5.18 D	2.23 D	2.23 D

KLEEN FLO LAKE STRAINER



THE KLEEN FLO LAKE STRAINER OUTLET IS 2" MNPT, THE SCREEN IS MADE OF RUSTPROOF FIBERGLASS NETTING. HOOKS BUILT IN TO MAIN FRAME ALLOW SUSPENDING OFF BOTTOM. GREAT FOR LAKES, SLOUGHS & RIVERS.

PART#	DESCRIPTION	PRICE
KLEENFLO1	2" KLEEN FLO LAKE STRAINER	86.00 Y
KLEENFLO2	REPLACEMENT SCREEN	28.75 Y

SUCTION BASKET



SUCTION BASKET STRAINER		
PART#	DESCRIPTION	PRICE
200SBS	2" Female Thread Poly	27.45 D
200SBSS	2" Female Thread Plated Steel	31.65 R
300SBS	3" Female Thread Poly	61.83 D
300SBSS	3" Female Thread Plated Steel	46.98 R



T-STRAINER & REPLACEMENT PARTS

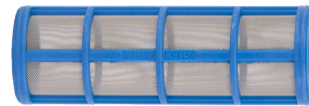


BANJO T-LINE STRAINER FEATURES:

- *MANUFACTURED FROM GLASS REINFORCED POLYPROPYLENE
- *CORROSION RESISTANT
- *SIZES FROM 3/4" TO 1-1/2"
- *CLEAN-OUT PLUG
- *304 STAINLESS STEEL SCREENS
- *EPDM GASKETS STANDARD, VITON AVAILABLE
- *RATED TO 150 PSI @ 70F

T-LINE STRAINERS			
Part#	Size	Mesh	Price
BLST75-16	3/4"	16	48.08 D
BLST75-30	3/4"	30	48.08 D
BLST75-50	3/4"	50	43.72 D
BLST75-80	3/4"	80	48.08 D
BLST75-100	3/4"	100	48.08 D
BLST100-16	1"	16	48.08 D
BLST100-30	1"	30	48.08 D
BLST100-50	1"	50	43.72 D
BLST100-80	1"	80	48.08 D
BLST100-100	1"	100	48.08 D
BLST125-16	1-1/4"	16	95.78 D
BLST125-30	1-1/4"	30	95.78 D
BLST125-50	1-1/4"	50	95.78 D
BLST125-80	1-1/4"	80	95.78 D
BLST150-30	1-1/2"	30	95.78 D
BLST150-50	1-1/2"	50	87.08 D
BLST150-80	1-1/2"	80	95.78 D
BLST150-100	1-1/2"	100	95.78 D

T-LINE REPLACEMENT PARTS				
ITEM	SIZE & DESCRIPTION			
	3/4"	1"	1-1/4"	1-1/2"
Head, Bowl & Gasket				
PART#	BLST75-HB	BLST100-HB	BLST125-HB	BLST150-HB
PRICE	30.20 D	30.20 D	66.18 D	66.17 D
Head				
PART#	BLST75-H	BLST100-H		
PRICE	16.95 D	16.95 D		
Bowl				
PART#	BLST100-B	BLST100-B	BLST150-B	BLST150-B
PRICE	20.13 D	20.13 D	32.48 D	32.48 D
Gasket				
PART#	BLST100-G	BLST100-G	BLST150-G	BLST150-G
PRICE	5.13 D	5.13 D	5.13 D	5.13 D
Viton Gasket				
PART#	BLST100-GV	BLST100-GV	BLST150-GV	BLST150-GV
PRICE	10.65 D	10.65 D	11.90 D	11.90 D
EPDM O-ring for Clean-Out Plug				
PART#	UV15163	UV15163	BLSQ200-R	BLSQ200-R
PRICE	1.33 D	1.33 D	1.38 D	1.38 D
Clean-Out Plug				
PART#	12777	12777	BLSQ200-PL	BLSQ200-PL
PRICE	3.78 D	3.78 D	4.40 D	4.40 D
Viton O-ring for Clean-Out Plug				
PART#	UV15163V	UV15163V	BLSQ200-RV	BLSQ200-RV
PRICE	5.18 D	5.18 D	2.23 D	2.23 D
Screen O-ring				
PART#	13778	13778		
PRICE	2.55 D	2.55 D		



T-LINE STRAINER REPLACEMENT SCREEN				
ITEM	SIZE & DESCRIPTION			
	3/4"	1"	1-1/4"	1-1/2"
16 MESH (GRAY) *** NEW COLOR - BROWN RED				
PART#	BLST116	BLST116	BLST1516	BLST1516
PRICE	25.99 D	25.99 D	39.92 D	39.92 D
30 MESH (YELLOW) ***NEW COLOR - FLAME RED				
PART#	BLST130	BLST130	BLST1530	BLST1530
PRICE	25.99 D	25.99 D	39.92 D	39.92 D
50 MESH (RED) ***NEW COLOR - GENETIAN BLUE				
PART#	BLST150	BLST150	BLST1550	BLST1550
PRICE	23.63 D	23.63 D	39.92 D	39.92 D
80 MESH (BLUE) ***NEW COLOR - ZINC YELLOW				
PART#	BLST180	BLST180	BLST1580	BLST1580
PRICE	23.63 D	23.63 D	39.92 D	39.92 D
100 MESH (GREEN) ***NEW COLOR - TRAFFIC GREEN				
PART#	BLST1100	BLST1100	BLST15100	BLST15100
PRICE	25.38 D	25.38 D	39.92 D	39.92 D



FLUSH-OUT LINE STRAINER

& REPLACEMENT PARTS

AA126ML STRAINER			
PART#	SIZE	MESH	PRICE
AA126ML-3-30	3/4"	30	41.55 D
AA126ML-3-50	3/4"	50	41.55 D
AA126ML-3-80	3/4"	80	41.55 D
AA126ML-3-100	3/4"	100	41.55 D
AA126ML-4-30	1"	30	41.55 D
AA126ML-4-50	1"	50	41.55 D
AA126ML-4-80	1"	80	41.55 D
AA126ML-4-100	1"	100	41.55 D
AA126ML-5-30	1-1/4"	30	85.03 D
AA126ML-5-50	1-1/4"	50	85.03 D
AA126ML-5-80	1-1/4"	80	85.03 D
AA126ML-5-100	1-1/4"	100	85.03 D
AA126ML-6-30	1-1/2"	30	85.03 D
AA126ML-6-50	1-1/2"	50	85.03 D
AA126ML-6-80	1-1/2"	80	85.03 D
AA126ML-6-100	1-1/2"	100	85.03 D

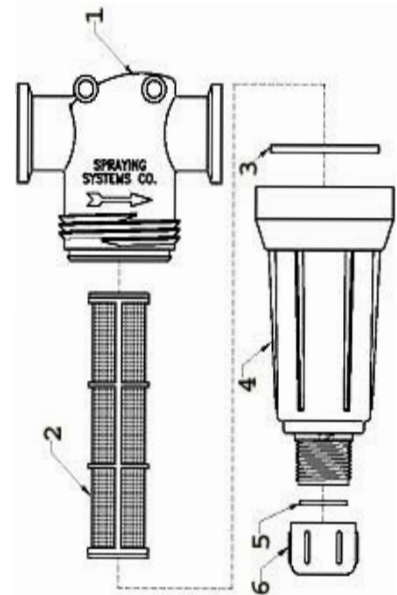
AA126 Flush-out Line Strainer

Features:

- *200 PSI maxium pressure
- *Glass-filled polypropylene with EPDM gasket
- *Screens made of 304SS are removable for cleaning
- *Removable cap & o-ring for flush-out or self-cleaning
- *Replaces AA124



REPLACEMENT PARTS				
ITEM	SIZE & DESCRIPTION			
	3/4"	1"	1-1/4"	1-1/2"
#1	Head			
PART#	CP50492-3/4-PP	CP50492-1-PP	CP63065-1-1/4-PP	CP63066-1-1/2-PP
PRICE	15.28 D	15.28 D	31.15 D	31.15 D
#2	Screen 30 Yellow - NEW COLOR - FLAME RED			
PART#	CP16903-3-SSPP	CP16903-3-SSPP	CP15941-2-SSPP	CP15941-2-SSPP
PRICE	16.70 D	16.70 D	23.53 D	23.53 D
#2	Screen 50 Red - NEW COLOR - GENTIAN BLUE			
PART#	CP16903-4-SSPP	CP16903-4-SSPP	CP15941-3-SSPP	CP15941-3-SSPP
PRICE	16.70 D	16.70 D	23.53 D	23.53 D
#2	Screen 80 Blue - NEW COLOR - ZINC YELLOW			
PART#	CP16903-5-SSPP	CP16903-5-SSPP	CP15941-4-SSPP	CP15941-4-SSPP
PRICE	16.70 D	16.70 D	23.53 D	23.53 D
#2	Screen 100 Green - NEW COLOR - TRAFFIC GREEN			
PART#	CP16903-6-SSPP	CP16903-6-SSPP	CP15941-5-SSPP	CP15941-5-SSPP
PRICE	16.70 D	16.70 D	23.53 D	23.53 D
#3	Gasket - Bowl			
PART#	CP50494-EPR	CP50494-EPR	CP48656-EPR	CP48656-EPR
PRICE	2.83 D	2.83 D	5.68 D	5.68 D
#4	Bowl			
PART#	CP50493-PP	CP50493-PP	CP48654-PP	CP48654-PP
PRICE	15.08 D	15.08 D	30.83 D	30.83 D
#5	Gasket - Cap			
PART#	CP63150-EPR	CP63150-EPR	CP63150-EPR	CP63150-EPR
PRICE	3.73 D	3.73 D	3.73 D	3.73 D
#6	Cap			
PART#	CP48655-PP	CP48655-PP	CP48655-PP	CP48655-PP
PRICE	5.50 D	5.50 D	5.50 D	5.50 D



PRESSURE RELIEF & THROTTLING VALVES

DIAPHRAGM-TYPE PRESSURE RELIEF/REGULATING VALVE

BYPASSES EXCESS LIQUID. CHOICE OF 1/2" AND 3/4" NPT SIZES. CHEMICAL RESISTANT DIAPHRAGM SEALS OFF OPERATING PARTS FROM CONTACT WITH CHEMICALS AND REMAINS RESILIENT FOR CHATTER-FREE, RESPONSIVE PRESSURE CONTROL.



8460 FEATURES:
 STAINLESS SPRINGS
 FULL FLOW
 NYLON & ALUMINUM CONSTRUCTION

DIAPHRAGM RELIEF MODEL 8460			
PART#	SIZE	RATING PSI	PRICE
8460-1/2	1/2"	300	80.35 D
8460-3/4	3/4"	300	80.35 D

PISTON-TYPE PRESSURE RELIEF/REGULATING VALVES

PISTON STYLE VALVES BYPASS EXCESS LIQUID. ADJUSTABLE TO MAINTAIN CONTROL OF LINE PRESSURE AT ANY PRESSURE WITHIN THE VALVE'S OPERATING RANGE. SELECTED PRESSURE SETTING FIRMLY HELD IN PLACE BY LOCK-NUT. EXTRA LARGE VALVE PASSAGES TO HANDLE LARGE FLOW.



110 FEATURES:
 REMOVABLE BONNET FOR SERVICING WITHOUT VALVE REMOVAL
 DUCTILE IRON, ALUMINUM OR BRASS CONSTRUCTION

PISTON TYPE RELIEF MODEL 110			
PART#	SIZE	RATING PSI	PRICE
AA110-114	1-1/4"	150	318.98 D
AA110-112	1-1/2"	150	318.98 D
AA110-114DI	1-1/4"	150	249.55 D
AA110-112DI	1-1/2"	150	249.55 D
AA110-114AL	1-1/4"	150	216.20 D
AA110-112AL	1-1/2"	150	216.20 D



23520 FEATURES:
 POLYPROPYLENE CONSTRUCTION
 PRESSURE TO 150 PSI (10 BAR)
 10 PSI PRESSURE DROP AT 6 GPM 1/2"
 10 PSI PRESSURE DROP AT 18 GPM 3/4"

PISTON STYLE THROTTLE VALVE MODEL 23520			
PART#	SIZE	RATING PSI	PRICE
23520-1/2-PP	1/2"	150	37.95 D
23520-3/4-PP	3/4"	150	37.95 D

23120 FEATURES:
 STAINLESS SPRING
 EXCELLENT CHEMICAL RESISTANCE
 1/4" PORT FOR PRESSURE GAUGE

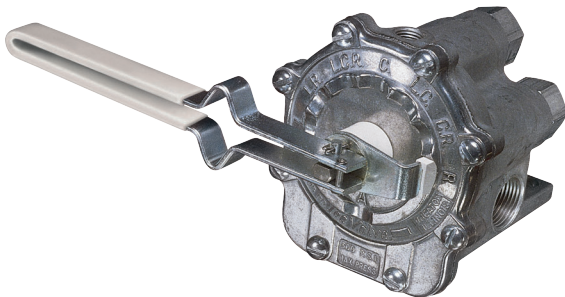
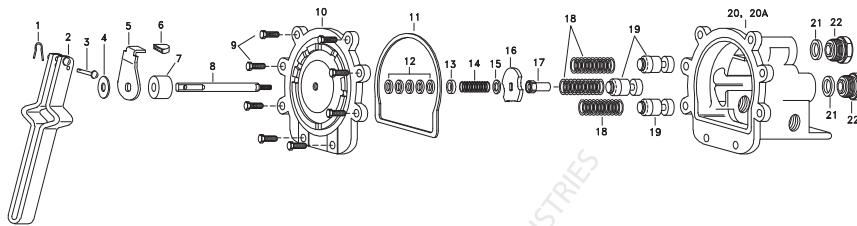


PISTON STYLE RELIEF MODEL 23120			
PART#	SIZE	RATING PSI	PRICE
23120-1/2-PP	1/2"	150	43.80 D
23120-3/4-PP	3/4"	150	43.80 D

BOOM CONTROL VALVE

TeeJet Control Valve for the selective control of three-section boom sprayers at pressures up to 300 PSI.

TEEVALVE BOOM CONTROL VALVE				
PART#	INLET	OUTLET	XTRA OUTLET	PRICE
AA17L	3/4" NPT	3/4" NPT	3/4" NPT	164.10 D
AA17Y	1" NPT	3/4" NPT	3/4" NPT	164.10 D



USE TO OPEN ANY OF THREE BOOM LINES IN ANY COMBINATION.

RAISE LEVER TO OPEN, LOWER TO CLOSE WITHOUT CHANGING THE INDEXED POSITION.

ALUMINUM CONSTRUCTION WITH STAINLESS STEEL AND PLASTIC INTERNAL PARTS FOR MAXIMUM CORROSION RESISTANCE.

AA17 PARTS			
REF#	PART#	DESCRIPTION	PRICE
1	CP8012-1/2SS	COTTER KEY	2.00 D
2	CP6849-1-IZP	HANDLE	11.65 D
3	CP7206-IZP	RIVET	6.95 D
4	CP6976-IZP	WASHER SPRING	4.98 D
5	CP12128-IZP	SHIELD	7.70 D
6	CP12127-CE	SHIELD TIP	5.13 D
7	CP12129-CE	SPACER	6.88 D
8	CP6972-SS	STEM	13.73 D
9	CP20607-IZP	SCREW (REQ 8)	2.88 D
10	CP12126-AL	COVER PLATE	64.08 D
11	CP6975-BU	GASKET BUNA-N	11.10 D
12	CP5809-LEA	PACKING (REQ 5)	2.00 D
13	CP12130-SS	PACKING GLAND	9.83 D
14		MAIN SPRING	
15		WASHER SS	
16	CP6971-AL	SELECTOR CAM	5.58 D
17		GUIDE NUT	
18	CP6959-SS	VALVE SPRING (REQ 3)	4.18 D
19	CP6956-CE	VALVE STEM (REQ 3)	5.15 D
20	CP6934-34-AL	BODY	74.63 D
21	CP6958-POL	SEAT PLATE (REQ 3)	8.50 D
22	CP7902-AL	OUTLET ADAPTER (REQ 3)	12.48 D

12 VOLT CONTROL VALVES

12 VOLT SOLENOID VALVES



THESE VALVES ARE DIRECT ACTING WITH LARGE INTERNAL FLOW CHAMBERS WITHOUT PILOT HOLES WHICH REDUCE THE CHANCES OF PLUGGING. STAINLESS STEEL WETTED PARTS PROVIDE ADDITIONAL CORROSION RESISTANCE.

OPERATES ON 12VDC.

144A ENCAPSULATED SOLENOID CAN BE CHANGED WITHOUT REMOVING VALVE FROM SYSTEM.



144A ELECTRIC VALVE

145 & 146 ELECTRIC VALVE

SPRAYING SYSTEMS SOLENOID VALVE					
PART#	INLET	OUTLET	MAX PSI	GPM	PRICE
AA144A-1	3/4"	1/2"	100	10	157.16 A
AA144A-2	3/4"	1/2"	100	10	318.36 A
AA144A-3	3/4"	1/2"	100	10	479.58 A
AA145H-1	1"	1"	100	15	359.80 A

VALVE REPAIR KITS		
VALVE#	KIT#	PRICE
144-1	AB144-1-KIT	35.33 D
144A-1	AB144A-1-KIT	35.33 D
144A-1	AB144A-1-VI-KIT	52.80 D
145H-1	AB145H-KIT	63.58 D
244C	AB244C-KIT	19.21 A

344B SHUT-OFF AND REGULATING BALL VALVES



- *2 & 3 WAY VALVES AVAILABLE
- *3/4" & 1" FNPT CONNECTIONS
- *12 VOLT OPERATION
- *WETTED PARTS ARE NYLON, POLYPROPYLENE, STAINLESS STEEL, TEFLON & VITON



SPRAYING SYSTEMS 12 VOLT SHUTOFF AND CONTROL VALVES							
PART#	OLD PART#	PORT SIZE	FLOW RATE	MAX PSI	TIME	TYPE	PRICE
344BEC-23-C	AA344AEC-2-3/4	3/4"	32 GPM	300	0.6 SEC	SHUTOFF	311.16 A
344BEC-24-C	AA344AEC-2-1	1"	32 GPM	300	0.6 SEC	SHUTOFF	311.16 A
344BEC-33-C	AA344AEC-3-3/4	3/4"	24 GPM	300	0.6 SEC	3-WAY	380.78 A
344BEC-34-C	AA344AEC-3-1	1"	24 GPM	300	0.6 SEC	3-WAY	380.78 A
344BRL-23-01C	AA344AE-2PR-34	3/4"	27 GPM	300	18 SEC	REGULATING	319.78 A
344BRL-24-01C	AA344AE-2PR-1	1"	27 GPM	300	18 SEC	REGULATING	319.78 A
344BRL-23-03C		3/4"	27 GPM	300	6 SEC	REGULATING	319.78 A
344BRL-24-03C		1"	27 GPM	300	6 SEC	REGULATING	319.78 A

ELECTRIC VALVES

MINI ELECTRIC VALVES

PART#	DESCRIPTION	PSI	SIZE	OPENING	PRICE
LEV038	3/8" Full Port Electric Valve	200	3/8"	3/8"	169.90 A
LEV050	1/2" Full Port Electric Valve	200	1/2"	15/32"	169.90 A



FEATURES:

- *12 Volt DC
- * Stationary current draw: less than 0.04 amps
- * Rotating current draw: less than 0.04 amps
- * Stall current: 0.75 amps
- * Response time: 1/3 sec open to close
- * TFM seats
- *EPDM seals
- * Fiberglass reinforced polypropylene
- * Integrated mounting slot
- * Standard 3 wire configuration
- *Max Pressure =200 PSI @ 70°F



MINI MANIFOLD ELECTRIC VALVE

PART#	DESCRIPTION	PSI	SIZE	OPENING	PRICE
MLEV100	1" Electric Valve	200	1"	1/2"	181.36 A

LEV SERIES ELECTRIC PUSH LOCK VALVES

FEATURES:

- *12 Volt DC
- * Stationary current draw: less than 0.04 amps
- * Rotating current draw: less than 0.04 amps
- * Stall current: 0.75 amps
- * Response time: 1/3 sec open to close
- * TFM seats
- *EPDM seals
- * Fiberglass reinforced polypropylene
- * Integrated mounting slot
- * Standard 3 wire configuration
- *Max Pressure 150 PSI

PART#	DESCRIPTION	PSI	SIZE	OPENING	PRICE
LEV38PL	3/8" FP Electric Valve	150	3/8"	3/8"	190.48 A





*12-volt DC operated
 *316 stainless steel ball & stem
 *Fiberglass reinforced polypropylene

*Open/Closed indicator
 *stainless steel hardware



ON/OFF & REGULATING

EVX ON/OFF WELDED/BOLTED ELECTRIC VALVE								
WELDED		DESCRIPTION	MAX PSI	PIPE SIZE	OPENING THRU BALL	RESPONSE TIME IN SECONDS	BOLTED	
PART#	PRICE						PART#	PRICE
		3/4" VALVE	300	3/4"	1"	3/4	EVX071	435.76 A
		1" FP VALVE	300	1"	1"	3/4	EVX101	446.66 A
		1-1/4" STD VALVE	300	1-1/4"	1"	3/4	EVX121	435.76 A
		1-1/2" FP VALVE	300	1-1/2"	1-1/2"	1-1/2	EVX151	638.76 A
		2" STD VALVE	300	2"	1-1/2"	1-1/2	EVX201	633.76 A
		2" FP VALVE	250	2"	2"	1-1/2	EVX221	691.10 A
EVX300	1,256.70 A	3" FP VALVE	150	3"	3"	3		

EVX REGULATING WELDED/BOLTED ELECTRIC VALVE								
WELDED		DESCRIPTION	MAX PSI	PIPE SIZE	OPENING THRU BALL	RESPONSE TIME IN SECONDS	BOLTED	
PART#	PRICE						PART#	PRICE
		3/4" VALVE	300	3/4"	1"	3/4	EVXR071	446.64 A
		1" FP VALVE	300	1"	1"	3/4	EVXR101	435.76 A
	S	1-1/4" STD VALVE	300	1-1/4"	1"	3/4	EVXR121	COMING SOON
		1-1/2" FP VALVE	300	1-1/2"	1-1/2"	1-1/2	EVXR151	638.76 A
	S	2" STD VALVE	300	2"	1-1/2"	1-1/2	EVXR201	654.72 A
	S	2" FP VALVE	250	2"	2"	1-1/2	EVXR221	691.10 A
		3" FP VALVE	150	3"	3"	4	EVXR300	1,256.70 A

BOTTOM & SIDE LOAD

EVX WELDED BOTTOM/SIDE LOAD ELECTRIC VALVE								
BOTTOM LOAD		DESCRIPTION	MAX PSI	PIPE SIZE	OPENING THRU BALL	RESPONSE TIME IN SECONDS	SIDE LOAD	
PART#	PRICE						PART#	PRICE
EVX075BL	501.94 A	3/4" FP VALVE	300	3/4"	1"	3/4	EVX075SL	510.00 A
EVX100BL	489.70 A	1" FP VALVE	300	1"	1"	3/4	EVX100SL	489.70 A
EVX125BL	501.94 A	1-1/4" FP VALVE	250	1-1/4"	1"	3/4	EVX125SL	489.70 A
EVX150BL	706.88 A	1-1/2" FP VALVE	250	1-1/2"	1-1/2"	1-1/2	EVX150SL	706.88 A
EVX200BL	706.88 A	2" STD VALVE	250	2"	1-1/2"	1-1/2	EVX200SL	706.88 A
EVX220BL	759.42 A	2" FP VALVE	150	2"	2"	1-1/2	EVX220SL	759.42 A

EVX BOLTED BOTTOM/SIDE LOAD REGULATING ELECTRIC VALVE								
BOTTOM LOAD		DESCRIPTION	MAX PSI	PIPE SIZE	OPENING THRU BALL	RESPONSE TIME IN SECONDS	SIDE LOAD	
PART#	PRICE						PART#	PRICE
EVXR075BL	COMING SOON	3/4" FP VALVE	300	3/4"	1"	3/4	EVXR075SL	COMING SOON
EVXR100BL	COMING SOON	1" FP VALVE	300	1"	1"	3/4	EVXR100SL	COMING SOON
EVXR125BL	COMING SOON	1-1/4" FP VALVE	300	1-1/4"	1"	3/4	EVXR125SL	COMING SOON
EVXR150BL	COMING SOON	1-1/2" FP VALVE	300	1-1/2"	1-1/2"	1-1/2	EVXR150SL	COMING SOON
EVXR200BL	COMING SOON	2" STD VALVE	250	2"	1-1/2"	1-1/2	EVXR200SL	COMING SOON
EVXR220BL	COMING SOON	2" FP VALVE	150	2"	2"	1-1/2	EVXR220SL	COMING SOON

ELECTRIC BALL VALVES



- *12-volt DC operated
- *316 stainless steel ball & stem
- *Fiberglass reinforced polypropylene

- *Open/Closed indicator
- *stainless steel hardware



ON/OFF & REGULATING

MEVX ON/OFF WELDED/BOLTED ELECTRIC VALVE								
WELDED		DESCRIPTION	MAX PSI	PIPE SIZE	OPENING THRU BALL	RESPONSE TIME IN SECONDS	BOLTED	
PART#	PRICE						PART#	PRICE
MEVX100	446.66 A	1" FP VALVE	300	1"	1"	3/4	MEVX101	446.66 A
MEVX200	654.72 A	2" STD VALVE	300/250	2"	1-1/2"	1-1/2	MEVX201	654.72 A
MEVX220	691.10 A	2" FP VALVE	250/150	2"	2"	1-1/2	MEVX221	691.10 A
MEVX300	1,256.70 A	3" FP VALVE	150	3"	3"	3		

MEVX REGULATING WELDED/BOLTED ELECTRIC VALVE								
WELDED		DESCRIPTION	MAX PSI	PIPE SIZE	OPENING THRU BALL	RESPONSE TIME IN SECONDS	BOLTED	
PART#	PRICE						PART#	PRICE
MEVXR100	440.92 A	1" FP VALVE	300	1"	1"	4	MEVXR101	446.64 A
MEVXR200	646.32 A	2" STD VALVE	300/250	2"	1-1/2"	4	MEVXR201	COMING SOON
MEVXR220	682.22 A	2" FP VALVE	250/150	2"	2"	4	MEVXR221	656.92 A
MEVXR300	1,240.56 A	3" FP VALVE	150	3"	3"	4		

BOTTOM & SIDE LOAD

MEVX BOTTOM/SIDE LOAD ELECTRIC VALVE								
BOTTOM LOAD		DESCRIPTION	MAX PSI	PIPE SIZE	OPENING THRU BALL	RESPONSE TIME IN SECONDS	SIDE LOAD	
PART#	PRICE						PART#	PRICE
MEVX100BL	501.94 A	1" FP VALVE	300	1"	1"	3/4	MEVX100SL	501.94 A
MEVX200BL	724.54 A	2" STD VALVE	250	2"	1-1/2"	1-1/2	MEVX200SL	724.54 A
MEVX220BL	778.40 A	2" FP VALVE	125	2"	2"	1-1/2	MEVX220SL	778.40 A
MEVX300BL	1,382.36 A	3" FP VALVE	200	3"	3"	3		

MEVX BOTTOM/SIDE LOAD REGULATING ELECTRIC VALVE								
BOTTOM LOAD		DESCRIPTION	MAX PSI	PIPE SIZE	OPENING THRU BALL	RESPONSE TIME IN SECONDS	SIDE LOAD	
PART#	PRICE						PART#	PRICE
MEVXR100BL	COMING SOON	1" FP VALVE	300	1"	1"	3/4	MEVXR100SL	501.94 A
MEVXR200BL	COMING SOON	2" STD VALVE	300	2"	1-1/2"	1-1/2	MEVXR200SL	706.88 A
MEVXR220BL	COMING SOON	2" FP VALVE	250	2"	2"	1-1/2	MEVXR220SL	759.42 A
MEVXR300BL	COMING SOON	3" STD VALVE	150	3"	3"	3		

MEVX 1" ON/OFF WELDED/BOLTED BANKED ELECTRIC VALVES

WELDED		DESCRIPTION	MAX PSI	FLANGE INLET SIZE	FLANGE OUTLET SIZE	BOLTED	
PART#	PRICE					PART#	PRICE
MEVX102	975.40 A	1" FP 2 BANK	300	2"	1"	MEVX1012	952.48 A
MEVX103	1,463.10 A	1" FP 3 BANK	300	2"	1"	MEVX1013	1,427.40 A



QUICK TEEJET CAPS & GASKETS



	PART#		COMPATIBLE TIPS	PRICE
	TOP CAP & GASKET			
	OLD	CURRENT		
	25612-X-NYR	114441-X-CELR	TP Standard (0067-01), XR (01-08)	1.35 D
	CP25611-X-NY	CP114440-X-CE	DG, TT, TTJ60, AIXR, OC	0.95 D
		25610-X-NYR	TP Standard (10-20), XR (10-15)	1.53 D
		CP25609-X-NY		1.10 D
	25598-X-NYR	114443-X-CELR	TJ60, AI & AIUB, SJ3, DG TwinJet)	1.53 D
	CP25597-X-NY	CP114442-X-CE	TTI, AITTJ60 (02-06)	1.10 D
		98579-1-NYR	AI3070 & AITTJ60 (08-15)	2.50 D
		CP98578-1-NY		1.80 D
		25600-X-NYR	Tube FloodJet, TK-VS FloodJet	1.53 D
		CP25599-X-NY	TK-VP FloodJet	1.10 D
	25608-X-NYR	114445-X-CELR	TK FloodJet, FLFullJet, TX/TXA ConeJet	1.53 D
	CP25607-X-NY	CP114444-X-CE	TG Full Cone, Hose Shank, AITXA ConeJet, Disc/Core	1.10 D
		QJ4676-45-1/4-NYR	45* Quick TeeJet Cap with 1/4" NPT female thread outlet	5.65 D
		QJ4676-90-1/4-NYR	90* Quick TeeJet Cap with 1/8" NPT female thread outlet	5.65 D
		QJ4676-1/8-NYR	1/8" NPT female thread outlet	3.00 D
		QJ4676-1/4-NYR	1/4" NPT female thread outlet	3.00 D
	19843-NYR	114447-1-CELR	Shutoff Cap	2.38 D
		CP19438-EPR	Gasket (EPDM)	0.68 D
		CP19438-VI	Gasket (Viton)	2.68 D
		CP18999-EPR	Gasket (EPDM) Disc/Core	1.43 D
		CP18999-VI	Gasket (Viton) Disc/Core	8.48 D

NUMBER	COLOR
1	BLACK
2	WHITE
3	RED
4	BLUE
5	GREEN
6	YELLOW
7	BROWN
8	ORANGE
10	VIOLET

**ADD THE FOLLOWING
NUMBER TO THE END OF THE
CAP & GASKET PART NUMBER
TO SPECIFY
COLOR NEEDED.**

**EXAMPLE:
CAP & GASKET IN RED
25612-3**

**QUICK
TEE-JET CAP**



QUICK TEE-JET CAP & GASKET SET

**SEAT GASKET
CP19438-EPR
(EPDM STANDARD)
CP19438-VI
(VITON OPTIONAL)**



QJ-VR & PTC-VR

VARIABLE RATE FERTILIZER ASSEMBLIES

FEATURES:

- * Both QJ-VR and PTC-VR are ideal for installation on planters and toolbars for liquid fertilizer metering and applications.
- * PTC-VR - nylon construction for excellent strength and chemical resistance.
- * QJ-VR - acetal and nylon construction with choice of nylon or stainless steel hose barbs for strength and excellent chemical resistance.
- * Simple, elastomer (EPDM) variable orifice for reliable, long-term operation.
- * Recommended operating pressure: 10-100 PSI (0.7-7.0 bar).

SIZE OPTIONS

Model	Hose Size (I.D.)				Tubing Size (O.D.)		
	1/4"	5/16"	3/8"	1/2"	1/4"	5/16"	3/8"
QJ-VR-X0.5	X	X	X				
QJ-VR-X1.0	X	X	X				
QJ-VR-X2.0			X	X			
PTC-VR-X0.5					X	X	X
PTC-VR-X1.0					X	X	X
PTC-VR-X2.0						X	X

Note: 1/4" and 5/16" hose barb sizes offered in stainless steel only.
 3/8" and 1/2" hose barbs offered in choice of stainless steel or nylon.



PTC-VR PUSH-TO-CONNECT METERING ASSEMBLY
\$30.47 D

Assembly	Liquid Pressure in PSI	Capacity 1 Nozzle in GPM	GPA for 20" Spacing (water)							
			4 MPH	5 MPH	6 MPH	8 MPH	10 MPH	12 MPH	16 MPH	20 MPH
QJ-VR-X0.5 & PTC-VR-X0.5	10	0.09	6.7	5.3	4.5	3.3	2.7	2.2	1.7	1.3
	20	0.13	9.7	7.7	6.4	4.8	3.9	3.2	2.4	1.9
	30	0.17	12.6	10.1	8.4	6.3	5.0	4.2	3.2	2.5
	40	0.21	15.6	12.5	10.4	7.8	6.2	5.2	3.9	3.1
	50	0.24	17.8	14.3	11.9	8.9	7.1	5.9	4.5	3.6
	60	0.29	22	17.2	14.4	10.8	8.6	7.2	5.4	4.3
	70	0.34	25	20	16.8	12.6	10.1	8.4	6.3	5.0
	80	0.40	30	24	19.8	14.9	11.9	9.9	7.4	5.9
	90	0.46	34	27	23	17.1	13.7	11.4	8.5	6.8
	100	0.54	40	32	27	20	16.0	13.4	10.0	8.0
QJ-VR-X1.0 & PTC-VR-X1.0	10	0.13	9.7	7.7	6.4	4.8	3.9	3.2	2.4	1.9
	20	0.21	15.6	12.5	10.4	7.8	6.2	5.2	3.9	3.1
	30	0.28	21	16.6	13.9	10.4	8.3	6.9	5.2	4.2
	40	0.35	26	21	17.3	13.0	10.4	8.7	6.5	5.2
	50	0.44	33	26	22	16.3	13.1	10.9	8.2	6.5
	60	0.53	39	31	26	19.7	15.7	13.1	9.8	7.9
	70	0.64	48	38	32	24	19.0	15.8	11.9	9.5
	80	0.77	57	46	38	29	23	19.1	14.3	11.4
	90	0.90	67	53	45	33	27	22	16.7	13.4
	100	1.03	76	61	51	38	31	25	19.1	15.3
QJ-VR-X2.0 & PTC-VR-X2.0	10	0.38	28	23	18.8	14.1	11.3	9.4	7.1	5.6
	20	0.57	42	34	28	21	16.9	14.1	10.6	8.5
	30	0.73	54	43	36	27	22	18.1	13.6	10.8
	40	0.87	65	52	43	32	26	22	16.1	12.9
	50	1.03	76	61	51	38	31	25	19.1	15.3
	60	1.20	89	71	59	45	36	30	22	17.8
	70	1.40	104	83	69	52	42	35	26	21
	80	1.61	120	96	80	60	48	40	30	24
	90	1.84	137	109	91	68	55	46	34	27
	100	2.07	154	123	102	77	61	51	38	31



QJ-VR METERING ASSEMBLY
Less Hose Barb \$26.21 D



QJ-VR HOSE BARB METERING ASSEMBLY
Stainless Hose Barb \$42.48 D
Nylon Hose Barb \$31.46 D

SPRAY TIPS

VISIFLO FLAT SPRAY TIP

****Always verify tips or orifices you received are the size which you require before using with chemical.
Chemical rates need to be obtained from your chemical dealer.****

USE A MINIMUM OF 30 PSI SPRAY PRESSURE FOR UNIFORM DISTRIBUTION. THIS PROVIDES MEDIUM SIZE DROPLETS FOR GOOD SOIL COVERAGE AS A PRE-EMERGE SURFACE APPLICATION. FOR POST-EMERGE CONTACT HERBICIDES USE 40 PSI AND HIGHER PRESSURE TO PROVIDE GOOD CANOPY PENETRATION AND SMALLER DROPLETS FOR FOLIAR COVERAGE. ADJUST HEIGHT FOR 30% OVERLAP.

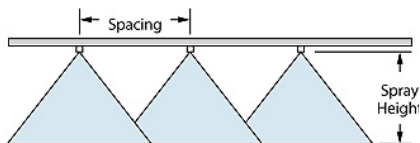


**GOOD SPRAY PENETRATION
UNIFORM COVERAGE
SPRAY PRESSURE 30 TO 60 PSI**

MATERIAL		
CODE	DESCRIPTION	PRICE
VS	VISIFLO SS	7.09 D
VP	VISIFLO POLY	1.06 D
HSS	HARDENED SS	16.79 D
SS	SS	12.20 D
	BRASS	4.77 D

HOW TO ORDER:

- TP8002VS - Stainless Steel with VisiFlo color-coding
- TP11002-VP - Polymer with VisiFlo color-coding
- TP11002-HSS - Hardened Stainless Steel
- TP8002-SS - Stainless Steel
- TP8002 - Brass



OPTIMUM	
SPRAY HEIGHT	
65"	35"
80"	30"
110"	20"

*AVAILABLE IN: BRASS, STAINLESS STEEL
& HARDENED STAINLESS ONLY

	PSI	GPM	GPA 20" SPACING AT MPH							
			4	5	6	8	10	12	15	20
TP650050*	30	0.043	3.2	2.6	2.1	1.6	1.3	1.1	0.85	0.64
TP800050*	35	0.047	3.5	2.8	2.3	1.7	1.4	1.2	0.93	0.7
TP1100050*	40	0.050	3.7	3	2.5	1.9	1.5	1.2	0.99	0.74
(100)	50	0.056	4.2	3.3	2.8	2.1	1.7	1.4	1.1	0.83
	60	0.061	4.5	3.6	3	2.3	1.8	1.5	1.2	0.91
TP650067*	30	0.058	4.3	3.4	2.9	2.2	1.7	1.4	1.1	0.9
TP800067*	35	0.063	4.7	3.7	3.1	2.3	1.9	1.6	1.2	0.9
TP1100067*	40	0.067	5.0	4.0	3.3	2.5	2.0	1.7	1.3	1.0
(100)	50	0.075	5.6	4.5	3.7	2.8	2.2	1.9	1.5	1.1
	60	0.082	6.1	4.9	4.1	3.0	2.4	2.0	1.6	1.2
TP6501*	30	0.087	6.5	5.2	4.3	3.2	2.6	2.2	1.7	1.3
TP8001	35	0.094	7.0	5.6	4.7	3.5	2.8	2.3	1.9	1.4
TP11001	40	0.10	7.4	5.9	5.0	3.7	3.0	2.5	2.0	1.5
(100)	50	0.11	8.2	6.5	5.4	4.1	3.3	2.7	2.2	1.6
ORANGE	60	0.12	8.9	7.1	5.9	4.5	3.6	3.0	2.4	1.8
TP65015*	30	0.13	9.7	7.7	6.4	4.8	3.9	3.2	2.6	1.9
TP80015	35	0.14	10.4	8.3	6.9	5.2	4.2	3.5	2.8	2.1
TP110015	40	0.15	11.1	8.9	7.4	5.6	4.5	3.7	3.0	2.2
(100)	50	0.17	12.6	10.1	8.4	6.3	5.0	4.2	3.4	2.5
GREEN	60	0.18	13.4	10.7	8.9	6.7	5.3	4.5	3.6	2.7
TP6502*	30	0.17	12.6	10.1	8.4	6.3	5.0	4.2	3.4	2.5
TP8002	35	0.19	14.1	11.3	9.4	7.1	5.6	4.7	3.8	2.8
TP11002	40	0.2	14.9	11.9	9.9	7.4	5.9	5.0	4.0	3.0
(50)	50	0.22	16.3	13.1	10.9	8.2	6.5	5.4	4.4	3.3
YELLOW	60	0.24	17.8	14.3	11.9	8.9	7.1	5.9	4.8	3.6
TP6503*	30	0.26	19.3	15.4	12.9	9.7	7.7	6.4	5.1	3.9
TP8003	35	0.28	21	16.6	13.9	10.4	8.3	6.9	5.5	4.2
TP11003	40	0.3	22	17.8	14.9	11.1	8.9	7.4	5.9	4.5
(50)	50	0.34	25	20	16.8	12.6	10.1	8.4	6.7	5.0
BLUE	60	0.37	27	22	18.3	13.7	11.0	9.2	7.3	5.5
TP6504*	30	0.35	26	21	17.3	13.0	10.4	8.7	6.9	5.2
TP8004	35	0.37	27	22	18.3	13.7	11.0	9.2	7.3	5.5
TP11004	40	0.4	30	24	19.8	14.9	11.9	9.9	7.9	5.9
(50)	50	0.45	33	27	22	16.7	13.4	11.1	8.9	6.7
RED	60	0.49	36	29	24	18.2	14.6	12.1	9.7	7.3
TP6505*	30	0.43	32	26	21	16.0	12.8	10.6	8.5	6.4
TP8005	35	0.47	35	28	23	17.4	14.0	11.6	9.3	7.0
TP11005	40	0.5	37	30	25	18.6	14.9	12.4	9.9	7.4
(50)	50	0.56	42	33	28	21	16.6	13.9	11.1	8.3
BROWN	60	0.61	45	36	30	23	18.1	15.1	12.1	9.1
TP6506*	30	0.52	39	31	26	19.3	15.4	12.9	10.3	7.7
TP8006	35	0.56	42	33	28	21	16.6	13.9	11.1	8.3
TP11006	40	0.6	45	36	30	22	17.8	14.9	11.9	8.9
(50)	50	0.67	50	40	33	25	19.9	16.6	13.3	9.9
GRAY	60	0.73	54	43	36	27	22	18.1	14.5	10.8
TP6508*	30	0.69	51	41	34	26	20	17.1	13.7	10.2
TP8008	35	0.75	56	45	37	28	22	18.6	14.9	11.1
TP11008	40	0.8	59	48	40	30	24	19.8	15.8	11.9
(50)	50	0.89	66	53	44	33	26	22	17.6	13.2
WHITE	60	0.98	73	58	49	36	29	24	19.4	14.6
	30	0.87	65	52	43	32	26	22	17.2	12.9
TP6510*	35	0.94	70	56	47	35	28	23	18.6	14
TP8010*	40	1	74	59	50	37	30	25	19.8	14.9
TP11010*	50	1.12	83	67	55	42	33	28	22	16.6
	60	1.22	91	72	60	45	36	30	24	18.1
	30	1.3	97	77	64	48	39	32	26	19.3
TP6515*	35	1.4	104	83	69	52	42	35	28	21
TP8015*	40	1.5	111	89	74	56	45	37	30	22
TP11015*	50	1.68	125	100	83	62	50	42	33	25
	60	1.84	137	109	91	68	55	46	36	27
	30	1.73	128	103	86	64	51	43	34	26
TP6520*	35	1.87	139	111	93	69	56	46	37	28
TP8020*	40	2	149	119	99	74	59	50	40	30
TP11020*	50	2.24	166	133	111	83	67	55	44	33
	60	2.45	182	146	121	91	73	61	49	36

XR EXTENDED RANGE FLAT SPRAY TIP



****Always verify tips or orifices you received are the size which you require before using with chemical.
Chemical rates need to be obtained from your chemical dealer.****

AN EXCELLENT TIP FOR PRE-EMERGE SURFACE APPLIED CHEMICALS.
AT MEDIUM PRESSURE (20-30 PSI) THE XR PRODUCES A MEDIUM SIZE DROPLET
FOR GOOD SURFACE COVERAGE. EXCELLENT FOR POST-EMERGE SYSTEMIC
HERBICIDES. AT LOWER PRESSURES (15-20 PSI) THE XR PRODUCES A LARGER
DROPLET FOR LESS DRIFT.

MATERIAL		XR	XRC
CODE	DESCRIPTION	PRICE	PRICE
VS	VISIFLO SS	7.92 D	9.11 D
SS	STAINLESS	9.41 D	N/A
VP	POLYMER	3.60 D	4.25 D
VK	CERAMIC VISIFLO	6.14 D	7.43 D

PART #	80 DEGREE	110 DEGREE	PSI	XR GPM	XRC GPM	GPA 20" SPACING AT MPH							
						4	5	6	8	10	12	15	20
			15	0.061		4.5	3.6	3	2.3	1.8	1.5	1.2	0.91
			20	0.071		5.3	4.2	3.5	2.6	2.1	1.8	1.4	1.1
XR8001	XR11001		30	0.087		6.5	5.2	4.3	3.2	2.6	2.2	1.7	1.3
(100)	(100)		40	0.1		7.4	5.9	5	3.7	3	2.5	2	1.5
ORANGE	ORANGE		50	0.11		8.2	6.5	5.4	4.1	3.3	2.7	2.2	1.6
			60	0.12		8.9	7.1	5.9	4.5	3.6	3	2.4	1.8
			15	0.092	0.092	6.8	5.5	4.6	3.4	2.7	2.3	1.8	1.4
XR80015	XR110015		20	0.11	0.11	8.2	6.5	5.4	4.1	3.3	2.7	2.2	1.6
XRC80015	XRC110015		30	0.13	0.13	9.7	7.7	6.4	4.8	3.9	3.2	2.6	1.9
(100)	(100)		40	0.15	0.15	11.1	8.9	7.4	5.6	4.5	3.7	3	2.2
GREEN	GREEN		50	0.17	0.17	12.6	10.1	8.4	6.3	5	4.2	3.4	2.5
			60	0.18	0.18	13.4	10.7	8.9	6.7	5.3	4.5	3.6	2.7
			15	0.12	0.12	8.9	7.1	5.9	4.5	3.6	3	2.4	1.8
XR8002	XR11002		20	0.14	0.14	10.4	8.3	6.9	5.2	4.2	3.5	2.8	2.1
XRC8002	XRC11002		30	0.17	0.17	12.6	10.1	8.4	6.3	5	4.2	3.4	2.5
(50)	(50)		40	0.2	0.2	14.9	11.9	9.9	7.4	5.9	5	4.1	3
YELLOW	YELLOW		50	0.22	0.22	16.3	13.1	10.9	8.2	6.5	5.4	4.4	3.3
			60	0.24	0.24	17.8	14.3	11.9	8.9	7.1	5.9	4.8	3.6
			15	0.15	0.15	11.1	8.9	7.4	5.6	4.5	3.7	3	2.2
	XR110025		20	0.18	0.18	13.4	10.7	8.9	6.7	5.3	4.5	3.6	2.7
	XRC110025		30	0.22	0.22	16.3	13.1	10.9	8.2	6.5	5.4	4.4	3.3
(50)	(50)		40	0.25	0.25	18.6	14.9	12.4	9.3	7.4	6.2	5	3.7
	VIOLET		50	0.28	0.28	21	16.6	13.9	10.4	8.3	6.9	5.5	4.2
			60	0.31	0.31	23	18.4	15.3	11.5	9.2	7.7	6.1	4.6
			15	0.18	0.18	13.4	10.7	8.9	6.7	5.3	4.5	3.6	2.7
XR8003	XR11003		20	0.21	0.21	15.6	12.5	10.4	7.8	6.2	5.2	4.2	3.1
XRC8003	XRC11003		30	0.26	0.26	19.3	15.4	12.9	9.7	7.7	6.4	5.1	3.9
(50)	(50)		40	0.3	0.3	22	17.8	14.9	11.1	8.9	7.4	5.9	4.5
BLUE	BLUE		50	0.34	0.34	25	20	16.8	12.6	10.1	8.4	6.7	5
			60	0.37	0.37	27	22	18.3	13.7	11	9.2	7.3	5.5
			15	0.24	0.24	17.8	14.3	11.9	8.9	7.1	5.9	4.8	3.6
XR8004	XR11004		20	0.28	0.28	21	16.6	13.9	10.4	8.3	6.9	5.5	4.2
XRC8004	XRC11004		30	0.35	0.35	26	21	17.3	13	10.4	8.7	6.9	5.2
(50)	(50)		40	0.4	0.4	30	24	19.8	14.9	11.9	9.9	7.9	5.9
RED	RED		50	0.45	0.45	33	27	22	16.7	13.4	11.1	8.9	6.7
			60	0.49	0.49	36	29	24	18.2	14.6	12.1	9.7	7.3
			15	0.31	0.31	23	18.4	15.3	11.5	9.2	7.7	6.1	4.6
XR8005	XR11005		20	0.35	0.35	26	21	17.3	13	10.4	8.7	6.9	5.2
XRC8005	XRC11005		30	0.43	0.43	32	26	21	16	12.8	10.6	8.5	6.4
(50)	(50)		40	0.5	0.5	37	30	25	18.6	14.9	12.4	9.9	7.4
BROWN	BROWN		50	0.56	0.56	42	33	28	21	16.6	13.9	11.1	8.3
			60	0.61	0.61	45	36	30	23	18.1	15.1	12.1	9.1
			15	0.37	0.37	27	22	18.3	13.7	11	9.2	7.3	5.5
XR8006	XR11006		20	0.42	0.42	31	25	21	15.6	12.5	10.4	8.3	6.2
XRC8006	XRC11006		30	0.52	0.52	39	31	26	19.3	15.4	12.9	10.3	7.7
(50)	(50)		40	0.6	0.6	45	36	30	22	17.8	14.9	11.9	8.9
GRAY	GRAY		50	0.67	0.67	50	40	33	25	19.9	16.6	13.3	9.9
			60	0.73	0.73	54	43	36	27	22	18.1	14.5	10.8
			15	0.49	0.49	36	29	24	18.2	14.6	12.1	9.7	7.3
XR8008	XR11008		20	0.57	0.57	42	34	28	21	16.9	14.1	11.3	8.5
XRC8008	XRC11008		30	0.69	0.69	51	41	34	26	20	17.1	13.7	10.2
(50)	(50)		40	0.8	0.8	59	48	40	30	24	19.8	15.8	11.9
WHITE	WHITE		50	0.89	0.89	66	53	44	33	26	22	17.6	13.2
			60	0.98	0.98	73	58	49	36	29	24	19.4	14.6
			15	0.61		45	36	30	23	18.1	15.1	12.1	9.1
			20	0.71		53	42	35	26	21	17.6	14.1	10.5
XR8010SS	XR11010SS		30	0.87		65	52	43	32	26	22	17.2	12.9
			40	1		74	59	50	37	30	25	19.8	14.9
			50	1.12		83	67	55	42	33	28	22	16.6
			60	1.22		91	72	60	45	36	30	24	18.1
			15	0.92		68	55	46	34	27	23	18.2	13.7
			20	1.06		79	63	52	39	31	26	21	15.7
XR8015SS	XR11015SS		30	1.3		97	77	64	48	39	32	26	19.3
			40	1.5		111	89	74	56	45	37	30	22
			50	1.68		125	100	83	62	50	42	33	25
			60	1.84		137	109	91	68	55	46	36	27



XR



XRC

AIXR AIR INDUCTION XR FLAT SPRAY TIP

****Always verify tips or orifices you received are the size which you require before using with chemical.
Chemical rates need to be obtained from your chemical dealer.****

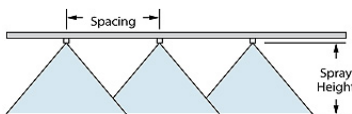
Tapered flat spray angle with air induction technology offers better drift management. Made of two-piece UHMWPE polymer construction providing excellent chemical resistance, including acids, as well as exceptional wear life. Depending on the chemical, produces large air-filled drops through a Venturi air aspirator. Removable pre-orifice.



**AIXR110XXVP
\$8.26 D**



OPTIMUM SPRAY HEIGHT	
110°	20"



PART# 110 DEGREE	PSI	GPM	GPA 20" SPACING AT MPH							
			4	5	6	8	10	12	15	20
AIXR110015 (100) GREEN	15	0.092	6.8	5.5	4.6	3.4	2.7	2.3	1.8	1.4
	20	0.11	8.2	6.5	5.4	4.1	3.3	2.7	2.2	1.6
	30	0.13	9.7	7.7	6.4	4.8	3.9	3.2	2.6	1.9
	40	0.15	11.1	8.9	7.4	5.6	4.5	3.7	3	2.2
	40	0.17	12.6	10.1	8.4	6.3	5	4.2	3.4	2.5
	60	0.18	13.4	10.7	8.9	6.7	5.3	4.5	3.6	2.7
	75	0.21	15.6	12.5	10.4	7.8	6.2	5.2	4.2	3.1
AIXR11002 (50) YELLOW	15	0.12	8.9	7.1	5.9	4.5	3.6	3	2.4	1.8
	20	0.14	10.4	8.3	6.9	5.2	4.2	3.5	2.8	2.1
	30	0.17	12.6	10.1	8.4	6.3	5	4.2	3.4	2.5
	40	0.20	14.9	11.9	9.9	7.4	5.9	5	4	3
	50	0.22	16.3	13.1	10.9	8.2	6.5	5.4	4.4	3.3
	60	0.24	17.8	14.3	11.9	8.9	7.1	5.9	4.8	3.6
	75	0.27	20	16	13.4	10	8	6.7	5.3	4
AIXR110025 (50) PURPLE	15	0.15	11.1	8.9	7.4	5.6	4.5	3.7	3	2.2
	20	0.18	13.4	10.7	8.9	6.7	5.3	4.5	3.6	2.7
	30	0.22	16.3	13.1	10.9	8.2	6.5	5.4	4.4	3.3
	40	0.25	18.6	14.9	12.4	9.3	7.4	6.2	5	3.7
	50	0.28	21	16.6	13.9	10.4	8.3	6.9	5.5	4.2
	60	0.31	23	18.4	15.3	11.5	9.2	7.7	6.1	4.6
	75	0.34	25	20	16.8	12.6	10.4	8.4	6.7	5
AIXR11003 (50) BLUE	15	0.18	13.4	10.7	8.9	6.7	5.3	4.5	3.6	2.7
	20	0.21	15.6	12.5	10.4	7.8	6.2	5.2	4.2	3.1
	30	0.26	19.3	15.4	12.9	9.7	7.7	6.4	5.1	3.9
	40	0.30	22	17.8	14.9	11.1	8.9	7.4	5.9	4.5
	50	0.34	25	20	16.8	12.6	10.1	8.4	6.7	5
	60	0.37	27	22	18.3	13.7	11	9.2	7.3	5.5
	75	0.41	30	24	20	15.2	12.2	10.1	8.1	6.1
AIXR11004 (50) RED	15	0.24	17.8	14.3	11.9	8.9	7.1	5.9	4.8	3.6
	20	0.28	21	16.6	13.9	10.4	8.3	6.9	5.5	4.2
	30	0.35	26	21	17.3	13	10.4	8.7	6.9	5.2
	40	0.40	30	24	19.8	14.9	11.9	9.9	7.9	5.9
	50	0.45	33	27	22	16.7	13.4	11.1	8.9	6.7
	60	0.49	36	29	24	18.2	14.6	12.1	9.7	7.3
	75	0.55	41	33	27	20	16.3	13.6	10.9	8.2
AIXR11005 (50) BROWN	15	0.31	23	18.4	15.3	11.5	9.2	7.7	6.1	4.6
	20	0.35	26	21	17.3	13	10.4	8.7	6.9	5.2
	30	0.43	32	26	21	16	12.8	10.6	8.5	6.4
	40	0.50	37	30	25	18.6	14.9	12.4	9.9	7.4
	50	0.56	42	33	28	21	16.6	13.9	11.1	8.3
	60	0.61	45	36	30	23	18.1	15.1	12.1	9.1
	75	0.68	50	40	34	25	20	16.8	13.5	10.1
AIXR11006 (50) GRAY	15	0.37	27	22	18.3	13.7	11	9.2	7.3	5.5
	20	0.42	31	25	21	15.6	12.5	10.4	8.3	6.2
	30	0.52	39	31	26	19.3	15.4	12.9	10.3	7.7
	40	0.60	45	36	30	22	17.8	14.9	11.9	8.9
	50	0.67	50	40	33	25	19.9	16.6	13.3	9.9
	60	0.73	54	43	36	27	22	18.1	14.5	1.8
	75	0.82	61	49	41	30	24	20	16.2	12.2
90	0.90	67	53	45	33	27	22	17.8	13.4	

TURBO, TURBO INDUCTION



& TURBO TWINJET

****Always verify tips or orifices you received are the size which you require before using with chemical.
Chemical rates need to be obtained from your chemical dealer.****

TURBO TEEJET: TAPERED EDGE WIDE ANGLE FLAT SPRAY PATTERN FOR UNIFORM COVERAGE IN BROADCAST SPRAYING. BLOCKAGE-FREE PASSAGE MEANS LESS CLOGGING.

TURBO INDUCTION: AIR INDUCTION, TAPERED FLAT SPRAY TIP PATTERN, MINIMAL PLUGGING. IDEAL FOR USE WITH AUTOMATIC SPRAYER CONTROLLERS.

TURBO TWINJET: BEST SUITED FOR BROADCAST SPRAYING WHERE SUPERIOR LEAF COVERAGE AND CANOPY PENETRATION IS IMPORTANT.

110 DEGREE	PSI	TT GPM	TTI GPM	TTJ60 GPM	GPA 20" SPACING AT MPG							
					4	5	6	8	10	12	15	20
	15	0.061			4.5	3.6	3	2.3	1.8	1.5	1.2	0.91
	20	0.071			5.3	4.2	3.5	2.6	2.1	1.8	1.4	1.1
TT11001	30	0.087			6.5	5.2	4.3	3.2	2.6	2.2	1.7	1.3
(100)	40	0.1			7.4	5.9	5	3.7	3	2.5	2	1.5
ORANGE	50	0.11			8.2	6.5	5.4	4.1	3.3	2.7	2.2	1.6
	60	0.12			8.9	7.1	5.9	4.5	3.6	3	2.4	1.8
	15	0.092	0.092		6.8	5.5	4.6	3.4	2.7	2.3	1.8	1.4
TT110015	20	0.11	0.11		8.2	6.5	5.4	4.1	3.3	2.7	2.2	1.6
TTI110015	30	0.13	0.13		9.7	7.7	6.4	4.8	3.9	3.2	2.6	1.9
(100)	40	0.15	0.15		11.1	8.9	7.4	5.6	4.5	3.7	3	2.2
GREEN	50	0.17	0.17		12.6	10.1	8.4	6.3	5	4.2	3.4	2.5
	60	0.18	0.18		13.4	10.7	8.9	6.7	5.3	4.5	3.6	2.7
TT11002	15	0.12	0.12		8.9	7.1	5.9	4.5	3.6	3	2.4	1.8
TTI11002	20	0.14	0.14	0.14	10.4	8.3	6.9	5.2	4.2	3.5	2.8	2.1
(50)	30	0.17	0.17	0.17	12.6	10.1	8.4	6.3	5	4.2	3.4	2.5
TTJ60-11002	40	0.20	0.2	0.2	14.9	11.9	9.9	7.4	5.9	5	4	3
(100)	50	0.22	0.22	0.22	16.3	13.1	10.9	8.2	6.5	5.4	4.4	3.3
YELLOW	60	0.24	0.24	0.24	17.8	14.3	11.9	8.9	7.1	5.9	4.8	3.6
TT110025	15	0.15	0.15		11.1	8.9	7.4	5.6	4.5	3.7	3	2.2
TTI110025	20	0.18	0.18	0.18	13.4	10.7	8.9	6.7	5.3	4.5	3.6	2.7
(50)	30	0.22	0.22	0.22	16.3	13.1	10.9	8.2	6.5	5.4	4.4	3.3
TTJ60-110025	40	0.25	0.25	0.25	18.6	14.9	12.4	9.3	7.4	6.2	5	3.7
(100)	50	0.28	0.28	0.28	21	16.6	13.9	10.4	8.3	6.9	5.5	4.2
VIOLET	60	0.31	0.31	0.31	23	18.4	15.3	11.5	9.2	7.7	6.1	4.6
TT11003	15	0.18	0.18		13.4	10.7	8.9	6.7	5.3	4.5	3.6	2.7
TTI11003	20	0.21	0.21	0.21	15.6	12.5	10.4	7.8	6.2	5.2	4.2	3.1
(50)	30	0.26	0.26	0.26	19.3	15.4	12.9	9.7	7.7	6.4	5.1	3.9
TTJ60-11003	40	0.30	0.3	0.3	22	17.8	14.9	11.1	8.9	7.4	5.9	4.5
(100)	50	0.34	0.34	0.34	25	20	16.8	12.6	10.1	8.4	6.7	5
BLUE	60	0.37	0.37	0.37	27	22	18.3	13.7	11	9.2	7.3	5.5
TT11004	15	0.24	0.24		17.8	14.3	11.9	8.9	7.1	5.9	4.8	3.6
TTI11004	20	0.28	0.28	0.28	21	16.6	13.9	10.4	8.3	6.9	5.5	4.2
(50)	30	0.35	0.35	0.35	26	21	17.3	13	10.4	8.7	6.9	5.2
TTJ60-11004	40	0.40	0.4	0.4	30	24	19.8	14.9	11.9	9.9	7.9	5.9
(100)	50	0.45	0.45	0.45	33	27	22	16.7	13.4	11.1	8.9	6.7
RED	60	0.49	0.49	0.49	36	29	24	18.2	14.6	12.1	9.7	7.3
TT11005	15	0.31	0.31		23	18.4	15.3	11.5	9.2	7.7	6.1	4.6
TTI11005	20	0.35	0.35	0.35	26	21	17.3	13	10.4	8.7	6.9	5.2
(50)	30	0.43	0.43	0.43	32	26	21	16	12.8	10.6	8.5	6.4
TTJ60-11005	40	0.50	0.5	0.5	37	30	25	18.6	14.9	12.4	9.9	7.4
(100)	50	0.56	0.56	0.56	42	33	28	21	16.6	13.9	11.1	8.3
BROWN	60	0.61	0.61	0.61	45	36	30	23	18.1	15.1	12.1	9.1
TT11006	15	0.37	0.37		27	22	18.3	13.7	11	9.2	7.3	5.5
TTI11006	20	0.42	0.42	0.42	31	25	21	15.6	12.5	10.4	8.3	6.2
(50)	30	0.52	0.52	0.52	39	31	26	19.3	15.4	12.9	10.3	7.7
TTJ60-11006	40	0.60	0.6	0.6	45	36	30	22	17.8	14.9	11.9	8.9
(100)	50	0.67	0.67	0.67	50	40	33	25	19.9	16.6	13.3	9.9
GRAY	60	0.73	0.73	0.73	54	43	36	27	22	18.1	14.5	10.8
	15	0.49			36	29	24	18.2	14.6	12.1	9.7	7.3
TT11008	20	0.57			42	34	28	21	16.9	14.1	11.3	8.5
(50)	30	0.69			51	41	34	26	20	17.1	13.7	10.2
WHITE	40	0.80			59	48	40	30	24	19.8	15.8	11.9
	50	0.89			66	53	44	33	26	22	17.6	13.2
	60	0.98			73	58	49	36	29	24	19.4	14.6



(TT)
WIDE ANGLE
FLAT SPRAY
\$7.47 D



(TTI)
FLAT SPRAY
(015-06) \$12.78 D
(08-10) \$12.78 D



(TTJ60)
TWIN FLAT SPRAY
\$8.96 D

****Always verify tips or orifices you received are the size which you require before using with chemical.
Chemical rates need to be obtained from your chemical dealer.****

STAINLESS STEEL INSERT PRODUCES TAPERED EDGE FLAT SPRAY PATTERN FOR UNIFORM COVERAGE IN BROADCAST SPRAYING. POLYMER INSERT HOLDER AND PRE-ORIFICE WITH VISIFLO COLOR-CODING. LARGER DROPLETS FOR LESS DRIFT. DEPENDING ON CHEMICAL, PRODUCES LARGE AIR-FILLED DROPS THROUGH THE USE OF A VENTURI AIR ASPIRATOR.



AI

MATERIAL		AI	AIC
CODE	DESCRIPTION	PRICE	PRICE
VS	VISIFLO SS	15.14 D	16.43 D
VP	POLYMER	N/A	7.61 D
VK	CERAMIC VISIFLO	N/A	13.37 D

AIC



110 DEGREE	PSI	GPM	SPACING AT MPH											
			4	5	6	7	8	9	10	12	14	16	18	20
	30	0.13	9.7	7.7	6.4	5.5	4.8	4.3	3.9	3.2	2.8	2.4	2.1	1.9
AII10015	40	0.15	11.1	8.9	7.4	6.4	5.6	5	4.5	3.7	3.2	2.8	2.5	2.2
AIC110015	50	0.17	12.6	10.1	8.4	7.2	6.3	5.6	5	4.2	3.6	3.2	2.8	2.5
(100)	60	0.18	13.4	10.7	8.9	7.6	6.7	5.9	5.3	4.5	3.8	3.3	3	2.7
GREEN	75	0.21	15.6	12.5	10.4	8.9	7.8	6.9	6.2	5.2	4.5	3.9	3.5	3.1
	90	0.23	17.1	13.7	11.4	9.8	8.5	7.6	6.8	5.7	4.9	4.3	3.8	3.4
	30	0.17	12.6	10.1	8.4	7.2	6.3	5.6	5	4.2	3.6	3.2	2.8	2.5
AII1002	40	0.2	14.9	11.9	9.9	8.5	7.4	6.6	5.9	5	4.2	3.7	3.3	3
AIC11002	50	0.22	16.3	13.1	10.9	9.3	8.2	7.3	6.5	5.4	4.7	4.1	3.6	3.3
(50)	60	0.24	17.8	14.3	11.9	10.2	8.9	7.9	7.1	5.9	5.1	4.5	4	3.6
YELLOW	75	0.27	20	16	13.4	11.5	10	8.9	8	6.7	5.7	5	4.5	4
	90	0.3	22	17.8	14.9	12.7	11.1	9.9	8.9	7.4	6.4	5.6	5	4.5
	30	0.22	16.3	13.1	10.9	9.3	8.2	7.3	6.5	5.4	4.7	4.1	3.6	3.3
AII10025	40	0.25	18.6	14.9	12.4	10.6	9.3	8.3	7.4	6.2	5.3	4.6	4.1	3.7
AIC110025	50	0.28	21	16.6	13.9	11.9	10.4	9.2	8.3	6.9	5.9	5.2	4.6	4.2
(50)	60	0.31	23	18.4	15.3	13.2	11.5	10.2	9.2	7.7	6.6	5.8	5.1	4.6
VIOLET	75	0.34	25	20	16.8	14.4	12.6	11.2	10.1	8.4	7.2	6.3	5.6	5
	90	0.36	28	23	18.8	16.1	14.1	12.5	11.3	9.4	8.1	7.1	6.3	5.6
	30	0.26	19.3	15.4	12.9	11	9.7	8.6	7.7	6.4	5.5	4.8	4.3	3.9
AII1003	40	0.3	22	17.8	14.9	12.7	11.1	9.9	8.9	7.4	6.4	5.6	5	4.5
AIC11003	50	0.34	25	20	16.8	14.4	12.6	11.2	10.1	8.4	7.2	6.3	5.6	5
(50)	60	0.37	27	2	18.3	15.7	13.7	12.2	11	9.2	7.8	6.9	6.1	5.5
BLUE	75	0.41	30	24	20	17.4	15.2	13.5	12.2	10.1	8.7	7.6	6.8	6.1
	90	0.45	33	27	22	19.1	16.7	14.9	13.4	11.1	9.5	8.4	7.4	6.7
	30	0.35	26	21	17.3	14.9	13	11.6	10.4	8.7	7.4	6.5	5.8	5.2
AII1004	40	0.4	30	24	19.8	17	14.9	13.2	11.9	9.9	8.5	7.4	6.6	5.9
AIC11004	50	0.45	33	27	22	19.1	16.7	14.9	13.4	11.1	9.5	8.4	7.4	6.7
(50)	60	0.49	36	29	24	21	18.2	16.2	14.6	12.1	10.4	9.1	8.1	7.3
RED	75	0.55	41	33	27	23	20	18.2	16.3	13.6	11.7	10.2	9.1	8.2
	90	0.6	45	36	30	25	22	19.8	17.8	14.9	12.7	11.1	9.9	8.9
	30	0.43	32	26	21	18.2	16	14.2	12.8	10.6	9.1	8	7.1	6.4
AII1005	40	0.5	37	30	25	21	18.6	16.5	14.9	12.4	10.6	9.3	8.3	7.4
AIC11005	50	0.56	42	33	28	24	21	18.5	16.6	13.9	11.9	10.4	9.2	8.3
(50)	60	0.61	45	36	30	26	23	20	18.1	15.1	12.9	11.3	10.1	9.1
BROWN	75	0.68	50	40	34	29	25	22	20	16.8	14.4	12.6	11.2	10.1
	90	0.75	56	45	37	32	28	25	22	18.6	15.9	13.9	12.4	11.1
	30	0.52	39	31	26	22	19.3	17.2	15.4	12.9	11	9.7	8.6	7.7
AII1006	40	0.6	45	36	30	25	22	19.8	17.8	14.9	12.7	11.1	9.9	8.9
AIC11006	50	0.67	50	40	33	28	25	22	19.9	16.6	14.2	12.4	11.1	9.9
(50)	60	0.73	54	43	36	31	27	24	22	18.1	15.5	13.6	12	10.8
GRAY	75	0.82	61	49	41	35	30	27	24	20	17.4	15.2	13.5	12.2
	90	0.9	67	53	45	38	33	30	27	22	19.1	16.7	14.9	13.4
	30	0.69	51	41	34	29	26	23	20	17.1	14.6	12.8	11.4	10.2
AII1008	40	0.8	59	48	40	34	30	26	24	19.8	17	14.9	13.2	11.9
AIC11008	50	0.89	66	53	44	38	33	29	26	22	18.9	16.5	14.7	13.2
(50)	60	0.98	73	58	49	42	36	32	29	24	21	18.2	16.2	14.6
WHITE	75	1.1	82	65	54	47	41	36	33	27	23	20	18.2	16.3
	90	1.2	89	71	59	51	45	40	36	30	25	22	19.8	17.8
	30	0.87	65	52	43	37	32	29	26	22	18.5	16.1	14.4	12.9
AII1010	40	1	74	59	50	42	37	33	30	25	21	18.6	16.5	14.9
AIC11010	50	1.12	83	67	55	48	42	37	33	28	24	21	18.5	16.6
(50)	60	1.22	91	72	60	52	45	40	36	30	26	23	20	18.1
LT BLUE	75	1.37	102	81	68	58	51	45	41	34	29	25	23	20
	90	1.5	111	89	74	64	56	50	45	37	32	28	25	22

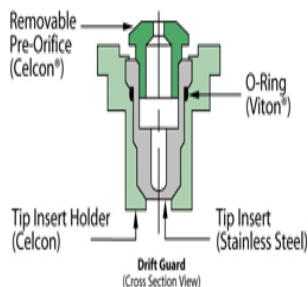
DRIFT GUARD FLAT SPRAY TIP



****Always verify tips or orifices you received are the size which you require before using with chemical.
Chemical rates need to be obtained from your chemical dealer.****

FEATURES:

PRE-ORIFICE DESIGN PRODUCES LARGER DROPLETS AND REDUCES THE SMALL DRIFT PRONE DROPLETS, MINIMIZING OFF-TARGET SPRAY CONTAMINATION. TAPERED EDGE FLAT SPRAY PATTERN PROVIDES UNIFORM COVERAGE WHEN ADJACENT NOZZLE PATTERN ARE OVERLAPPED IN BROADCAST SPRAYING THE COLOR-CODED PRE-ORIFICE IS REMOVABLE FOR ANY NECESSARY CLEANING. AVAILABLE IN BOTH 80 AND 110 DEGREE SPRAY ANGLES WITH DURABLE STAINLESS STEEL ORIFICES.



OPTIMUM SPRAY HEIGHT	
80°	30"
110°	20"



MATERIAL		
CODE	DESCRIPTION	PRICE
VS	VISIFLO SS	10.96 D
VP	POLYMER	6.55 D

80 DEGREE	110 DEGREE	PSI	GPM	GPA 20" SPACING AT MPH										
				4	5	6	7	8	9	10	12	14	16	18
DG80015 (100) GREEN	DG110015 (100) GREEN	30	0.13	9.7	7.7	6.4	5.5	4.8	4.3	3.9	3.2	2.8	2.4	2.1
		35	0.14	10.4	8.3	6.9	5.9	5.2	4.6	4.2	3.5	3	2.6	2.3
		40	0.15	11.1	8.9	7.4	6.4	5.6	5	4.5	3.7	3.2	2.8	2.5
		50	0.17	12.6	10.1	8.4	7.2	6.3	5.6	5	4.2	3.6	3.2	2.8
		60	0.18	13.4	10.7	8.9	7.6	6.7	5.9	5.3	4.5	3.8	3.3	3
DG8002 (50) YELLOW	DG11002 (50) YELLOW	30	0.17	12.6	10.1	8.4	7.2	6.3	5.6	5	4.2	3.6	3.2	2.8
		35	0.19	14.1	11.3	9.4	8.1	7.1	6.3	5.6	4.7	4	3.5	3.1
		40	0.2	14.9	11.9	9.9	8.5	7.4	6.6	5.9	5	4.2	3.7	3.3
		50	0.22	16.3	13.1	10.9	9.3	8.2	7.3	6.5	5.4	4.7	4.1	3.6
		60	0.24	17.8	14.3	11.9	10.2	8.9	7.9	7.1	5.9	5.1	4.5	4
DG8003 (50) BLUE	DG11003 (50) BLUE	30	0.26	19.3	15.4	12.9	11	9.7	8.6	7.7	6.4	5.5	4.8	4.3
		35	0.28	21	16.6	13.9	11.9	10.4	9.2	8.3	6.9	5.9	5.2	4.6
		40	0.3	22	17.8	14.9	12.7	11.1	9.9	8.9	7.4	6.4	5.6	5
		50	0.34	25	20	16.8	14.4	12.6	11.2	10.1	8.4	7.2	6.3	5.6
		60	0.37	27	2	18.3	15.7	13.7	12.2	11	9.2	7.8	6.9	6.1
DG8004 (50) RED	DG11004 (50) RED	30	0.35	26	21	17.3	14.9	13	11.6	10.4	8.7	7.4	6.5	5.8
		35	0.37	27	22	18.3	15.7	13.7	12.2	11	9.2	7.8	6.9	6.1
		40	0.4	30	24	19.8	17	14.9	13.2	11.9	9.9	8.5	7.4	6.6
		50	0.45	33	27	22	19.1	16.7	14.9	13.4	11.1	9.5	8.4	7.4
		60	0.49	36	29	24	21	18.2	16.2	14.6	12.1	10.4	9.1	8.1
DG8005 (50) BROWN	DG11005 (50) BROWN	30	0.43	32	26	21	18.2	16	14.2	12.8	10.6	9.1	8	7.1
		35	0.47	35	28	23	19.9	17.4	15.5	14	11.6	10	8.7	7.8
		40	0.5	37	30	25	21	18.6	16.5	14.9	12.4	10.6	9.3	8.3
		50	0.56	42	33	28	24	21	18.5	16.6	13.9	11.9	10.4	9.2
		60	0.61	45	36	30	26	23	20	18.1	15.1	12.9	11.3	10.1

TURBO TEEJET® DUO

****Always verify tips or orifices you received are the size which you require before using with chemical.
Chemical rates need to be obtained from your chemical dealer.****

Excellent for both contact and systemic fungicides and insecticides - typical pressure 40 PSI and higher.
Excellent for spraying post-emergence contact herbicides - typical pressure 40 PSI and higher.
Very good for post-emerge systemic herbicide applications at lower end of optimum operating pressure range.
Offers improved penetration and coverage as compared to a single flat spray tip of equal capacity.
Offers larger droplet size and improved drift control.

Features:

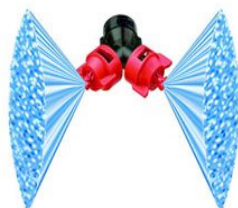
Dual angled spray patterns help to better penetrate crop canopy. Provides thorough leaf coverage.
QJ90-2-NYR adapter utilizes Quick TeeJet inlet and outlet connections for fast and easy installation.
Body and caps constructed of Nylon.
Turbo TeeJet tip made of acetal for excellent wear life and chemical resistance.
Quick TeeJet caps are color coded to match VisiFlo color coding of spray tip.



**DUAL OULET ONLY
QJ90-2-NYR
\$5.65 D**



**DUAL OULET
W/CAP & TIPS
\$24.63 D**



110 DEGREE	PSI	GPM	GPA 20" SPACING AT MPH							
			4	5	6	8	10	12	15	20
	15	0.12	8.9	7.1	5.9	4.5	3.6	3	2.4	1.8
QJ90-	20	0.14	10.4	8.3	6.9	5.2	4.2	3.5	2.8	2.1
2XTT11001-VP	30	0.17	12.6	10.1	8.4	6.3	5	4.2	3.4	2.5
(100)	40	0.2	14.9	11.9	9.9	7.4	5.9	5	4	3
ORANGE	50	0.22	16.3	13.1	10.9	8.2	6.5	5.4	4.4	3.3
	60	0.24	17.8	14.3	11.9	8.9	7.1	5.9	4.8	3.6
	15	0.18	13.4	10.7	8.9	6.7	5.3	4.5	3.6	2.7
QJ90-	20	0.21	15.6	12.5	10.4	7.8	6.2	5.2	4.2	3.1
2XTT110015-VP	30	0.26	19.3	15.4	12.9	9.7	7.7	6.4	5.1	3.9
(100)	40	0.3	22	17.8	14.9	11.1	8.9	7.4	5.9	4.5
GREEN	50	0.34	25	20	16.8	12.6	10	8.4	6.7	5
	60	0.37	27	22	18.3	13.7	11	9.2	7.3	5.5
	15	0.24	17.8	14.3	11.9	8.9	7.1	5.9	4.8	3.6
QJ90-	20	0.28	21	16.6	13.9	10.4	8.3	6.9	5.5	4.2
2XTT11002-VP	30	0.35	26	21	17.3	13	10.4	8.7	6.9	5.2
(50)	40	0.4	30	24	19.8	14.9	11.9	9.9	7.9	5.9
YELLOW	50	0.45	33	27	22	16.7	13.4	11.1	8.9	6.7
	60	0.49	36	29	24	18.2	14.6	12.1	9.7	7.3
	15	0.31	23	18.4	15.3	11.5	9.2	7.7	6.1	4.6
QJ90-	20	0.35	26	21	17.3	13	10.4	8.7	6.9	5.2
2XTT110025-VP	30	0.43	32	26	21	16	12.8	10.6	8.5	6.4
(50)	40	0.5	37	30	25	18.6	14.9	12.4	9.9	7.4
VIOLET	50	0.56	42	33	28	21	16.6	13.9	11.1	8.3
	60	0.61	45	36	30	23	18.1	15.1	12.1	9.1
	15	0.37	27	22	18.3	13.7	11	9.2	7.3	5.5
QJ90-	20	0.42	31	25	21	15.6	12.5	10.4	8.3	6.2
2XTT11003-VP	30	0.52	39	31	26	19.3	15.4	12.9	10.3	7.7
(50)	40	0.6	45	36	30	22	17.8	14.9	11.9	8.9
BLUE	50	0.67	50	40	33	25	19.9	16.6	13.3	9.9
	60	0.73	54	43	36	27	22	18.1	14.5	10.8
	15	0.49	36	29	24	18.2	14.6	12.1	9.7	7.3
QJ90-	20	0.57	42	34	28	21	16.9	14.1	11.3	8.5
2XTT11004-VP	30	0.69	51	41	34	26	20	17.1	13.7	10.2
(50)	40	0.8	59	48	40	30	24	19.8	15.8	11.9
RED	50	0.89	66	53	44	33	26	22	17.6	13.2
	60	0.98	73	58	49	36	29	24	19.4	14.6
	15	0.61	45	36	30	23	18.1	15.1	12.1	9.1
QJ90-	20	0.71	53	42	35	26	21	17.6	14.1	10.5
2XTT11005-VP	30	0.87	65	52	43	32	26	22	17.2	12.9
(50)	40	1	74	59	50	37	30	25	19.8	14.9
BROWN	50	1.12	83	67	55	42	33	28	22	16.6
	60	1.22	91	72	60	45	36	30	24	18.1
	15	0.73	54	43	36	27	22	18.1	14.5	10.8
QJ90-	20	0.85	63	50	42	32	25	21	16.8	12.6
2XTT11006-VP	30	1.04	77	62	51	39	31	26	21	15.4
(50)	40	1.2	89	71	59	45	36	30	24	17.8
GRAY	50	1.34	99	80	66	50	40	33	27	19.9
	60	1.47	109	87	73	55	44	36	29	22
	15	0.98	73	58	49	36	29	24	19.4	14.6
QJ90-	20	1.13	84	67	56	42	34	28	22	16.8
2XTT11008-VP	30	1.39	103	83	69	52	41	34	28	21
(50)	40	1.6	119	95	79	59	48	40	32	24
WHITE	50	1.79	133	106	89	66	53	44	35	27
	60	1.96	146	116	97	73	58	49	39	29

STREAMJET SJ-7



****Always verify tips or orifices you received are the size which you require before using with chemical.
Chemical rates need to be obtained from your chemical dealer.****

Excellent for application of liquid fertilizer.

Features:

- Creates seven identical fluid streams of equal velocity and capacity.
- Excellent spray distribution quality.
- Removable metering orifice for easy cleaning.
- Offered in a variety of sizes for a wide range of application rates.
- VisiFlo® color-coding for easy capacity identification.
- All acetal construction for excellent chemical resistance.
- Recommended operating pressure: 20 - 60 PSI (1.5-4bar).

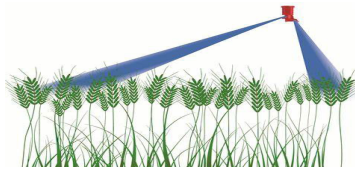


PRICE: \$12.89 D

	PSI	GPM										
			3	4	5	6	8	10	12	14	16	18
	20	0.1	9.9	7.4	5.9	5	3.7	3	2.5	2.1	1.9	1.7
SJ7-015-VP	30	0.12	11.9	8.9	7.1	5.9	4.5	3.6	3	2.5	2.2	2
(100)	40	0.15	14.9	11.1	8.9	7.4	5.6	4.5	3.7	3.2	2.8	2.5
GREEN	50	0.16	15.8	11.9	9.5	7.9	5.9	4.8	4	3.4	3	2.6
	60	0.18	17.8	13.4	10.7	8.9	6.7	5.3	4.5	3.8	3.3	3
	20	0.14	13.9	10.4	8.3	6.9	5.2	4.2	3.5	3	2.6	2.3
SJ7-02-VP	30	0.17	16.8	12.6	10	8.4	6.3	5	4.2	3.6	3.2	2.8
(50)	40	0.2	19.8	14.9	11.9	9.9	7.4	5.9	5	4.2	3.7	3.3
YELLOW	50	0.23	23	17.1	13.7	11.4	8.5	6.8	5.7	4.9	4.3	3.8
	60	0.25	25	18.6	14.9	12.4	9.3	7.4	6.2	5.3	4.6	4.1
	20	0.22	22	16.3	13.1	10.9	8.2	6.5	5.4	4.7	4.1	3.6
SJ7-03-VP	30	0.27	27	20	16	13.4	10	8	6.7	5.7	5	4.5
(50)	40	0.3	30	22	17.8	14.9	11.1	8.9	7.4	6.4	5.6	5
BLUE	50	0.33	33	25	19.6	16.3	12.3	9.8	8.2	7	6.1	5.4
	60	0.35	35	26	21	17.3	13	10.4	8.7	7.4	6.5	5.8
	20	0.3	30	22	17.8	14.9	11.1	8.9	7.4	6.4	5.6	5
SJ7-04-VP	30	0.35	35	26	21	17.3	13	10.4	8.7	7.4	6.5	5.8
(50)	40	0.4	40	30	24	19.8	14.9	11.9	9.9	8.5	7.4	6.6
RED	50	0.43	43	32	26	21	16	12.8	10.6	9.1	8	7.1
	60	0.46	46	34	27	23	17.1	13.7	11.4	9.8	8.5	7.6
	20	0.38	38	28	23	18.8	14.1	11.3	9.4	8.1	7.1	6.3
SJ7-05-VP	30	0.45	45	33	27	22	16.7	13.4	11.1	9.5	8.4	7.4
(50)	40	0.5	50	37	30	25	18.6	14.9	12.4	10.6	9.3	8.3
BROWN	50	0.54	53	40	32	27	20	16	13.4	11.5	10	8.9
	60	0.58	57	43	34	29	22	17.2	14.4	12.3	10.8	9.6
	20	0.45	45	33	27	22	16.7	13.4	11.1	9.5	8.4	7.4
SJ7-06-VP	30	0.54	53	40	32	27	20	16	13.4	11.5	10	8.9
(50)	40	0.6	59	45	36	30	22	17.8	14.9	12.7	11.1	9.9
GRAY	50	0.65	64	48	39	32	24	19.3	16.1	13.8	12.1	10.7
	60	0.7	69	52	42	35	26	21	17.3	14.9	13	11.6
	20	0.57	56	42	34	28	21	16.9	14.1	12.1	10.6	9.4
SJ7-08-VP	30	0.72	71	53	43	36	27	21	17.8	15.3	13.4	11.9
	40	0.8	79	59	48	40	30	24	19.8	17	14.9	13.2
WHITE	50	0.87	86	65	52	43	32	26	22	18.5	16.1	14.4
	60	0.93	92	69	55	46	35	28	23	19.7	17.3	15.3
	20	0.71	70	53	42	35	26	21	17.6	15.1	13.2	11.7
SJ7-10-VP	30	0.9	89	67	53	45	33	27	22	19.1	16.7	14.9
	40	1	99	74	59	50	37	30	25	21	18.6	16.5
LT BLUE	50	1.09	108	81	65	54	40	32	27	23	20	18
	60	1.16	115	86	69	57	43	34	29	25	22	19.1
	20	1.03	102	76	61	51	38	31	25	22	19.1	17
SJ7-15-VP	30	1.29	128	96	77	64	48	38	32	27	24	21
	40	1.5	149	111	89	74	56	45	37	32	28	25
LT GREEN	50	1.65	162	122	97	81	61	49	41	35	30	27
	60	1.76	174	131	105	87	65	52	44	37	33	29

AIR INDUCTION DUAL PATTERN FLAT SPRAY

AI3070



PART#	DESCRIPTION	PRICE
AI3070-XXVP	Tip	11.68 D

The AI3070 TeeJet dual spray, utilizing a patent-pending design, provides two spray patterns at complementary angles of 30* and 70* from vertical. The leading pattern provides canopy penetration while the trailing pattern provides thorough coverage across the top of crop canopy.

	PSI	GPM	GPA 20" SPACING AT MPH					
			4	5	6	8	10	12
	20	0.11	8.2	6.5	5.4	4.1	3.3	2.7
	30	0.13	9.7	7.7	6.4	4.8	3.9	3.2
AI3070-015VP	40	0.15	11.1	8.9	7.4	5.6	4.5	3.7
(100)	50	0.17	12.6	10.1	8.4	6.3	5	4.2
	60	0.18	13.4	10.7	8.9	6.7	5.3	4.5
	75	0.21	15.6	12.5	10.4	7.8	6.2	5.2
	90	0.23	17.1	13.7	11.4	8.5	6.8	5.7
	20	0.14	10.4	8.3	6.9	5.2	4.2	3.5
	30	0.17	12.6	10.1	8.4	6.3	5	4.2
AI3070-02VP	40	0.20	14.9	11.9	9.9	7.4	5.9	5
(100)	50	0.22	16.3	13.1	10.9	8.2	6.5	5.4
	60	0.24	17.8	14.3	11.9	8.9	7.1	5.9
	75	0.27	20	16	13.4	10	8	6.7
	90	0.30	22	17.8	14.9	11.1	8.9	7.4
	20	0.18	13.4	10.7	8.9	6.7	5.3	4.5
	30	0.22	16.3	13.1	10.9	8.2	6.5	5.4
AI3070-025VP	40	0.25	18.6	14.9	12.4	9.3	7.4	6.2
(100)	50	0.28	21	16.6	13.9	10.4	8.3	6.9
	60	0.31	23	18.4	15.3	11.5	9.2	7.7
	75	0.34	25	20	16.8	12.6	10.1	8.4
	90	0.38	28	23	18.8	14.1	11.3	9.4
	20	0.21	15.6	12.5	10.4	7.8	6.2	5.2
	30	0.26	19.3	15.4	12.9	9.7	7.7	6.4
AI3070-03VP	40	0.30	22	17.8	14.9	11.1	8.9	7.4
(50)	50	0.34	25	20	16.8	12.6	10.1	8.4
	60	0.37	27	22	18.3	13.7	11	9.2
	75	0.41	30	24	20	15.2	12.2	10.1
	90	0.45	33	27	22	16.7	13.4	11.1
	20	0.28	21	16.6	13.9	10.4	8.3	6.9
	30	0.35	26	21	17.3	13	10.4	8.7
AI3070-04VP	40	0.40	30	24	19.8	14.9	11.9	9.9
(50)	50	0.45	33	27	22	16.7	13.4	11.1
	60	0.49	36	29	24	18.2	14.6	12.1
	75	0.55	41	33	27	20	16.3	13.6
	90	0.60	45	36	30	22	17.8	14.9
	20	0.35	26	21	17.3	13	10.4	8.7
	30	0.43	32	26	21	16	12.8	10.6
AI3070-05VP	40	0.50	37	30	25	18.6	14.9	12.4
(50)	50	0.56	42	33	28	21	16.6	13.9
	60	0.61	45	36	30	23	18.1	15.1
	75	0.68	50	40	34	25	20	16.8
	90	0.75	56	45	37	28	22	18.6

TWIN JET FLAT & FULL JET CONE SPRAY TIP



FEATURES:

PENETRATES CROP RESIDUE OR DENSE FOLIAGE.
SMALLER DROPLETS FOR THOROUGH COVERAGE.
BETTER SPRAY DISTRIBUTION ALONG BOOM
THAN WITH HOLLOW CONE NOZZLES.



ALL VS TWINJET \$13.79 D

DEGREE	OPTIMUM SPRAY HEIGHT
80°	30"
110°	20"

PART #	80 DEGREE	110 DEGREE	PSI	GPM	GPA 20" SPACING AT MPH										
					4	5	6	7	8	9	10	12	14	16	18
TJ60-8002VS	TJ60-11002VS	30	0.17	12.6	10.1	8.4	7.2	6.3	5.6	5	4.2	3.6	3.2	2.8	2.5
(100)	(100)	40	0.2	14.9	11.9	9.9	8.5	7.4	6.6	5.9	5	4.2	3.7	3.3	3
YELLOW	YELLOW	50	0.22	16.3	13.1	10.9	9.3	8.2	7.3	6.5	5.4	4.7	4.1	3.6	3.3
		60	0.24	17.8	14.3	11.9	10.2	8.9	7.9	7.1	5.9	5.1	4.5	4	3.6
TJ60-8003VS	TJ60-11003VS	30	0.26	19.3	15.4	12.9	11	9.7	8.6	7.7	6.4	5.5	4.8	4.3	3.9
(100)	(100)	40	0.3	22	17.8	14.9	12.7	11.1	9.9	8.9	7.4	6.4	5.6	5	4.5
BLUE	BLUE	50	0.34	25	20	16.8	14.4	12.6	11.2	10.1	8.4	7.2	6.3	5.6	5
		60	0.37	27	22	18.3	15.7	13.7	12.2	11	9.2	7.8	6.9	6.1	5.5
TJ60-8004VS	TJ60-11004VS	30	0.35	26	21	17.3	14.9	13	11.6	10.4	8.7	7.4	6.5	5.8	5.2
(50)	(50)	40	0.4	30	24	19.8	17	14.9	13.2	11.9	9.9	8.5	7.4	6.6	5.9
RED	RED	50	0.45	33	27	22	19.1	16.7	14.9	13.4	11.1	9.5	8.4	7.4	6.7
		60	0.49	36	29	24	21	18.2	16.2	14.6	12.1	10.4	9.1	8.1	7.3
TJ60-8006VS	TJ60-11006VS	30	0.52	39	31	26	22	19.3	17.2	15.4	12.9	11	9.7	8.6	7.7
(50)	(50)	40	0.6	45	36	30	25	22	19.8	17.8	14.9	12.7	11.1	9.9	8.9
GRAY	GRAY	50	0.67	50	40	33	28	25	22	19.9	16.6	14.2	12.4	11.1	9.9
		60	0.73	54	43	36	31	27	24	22	18.1	15.5	13.6	12	10.8
TJ60-8008VS	TJ60-11008VS	30	0.69	51	41	34	29	26	23	20	17.1	14.6	12.8	11.4	10.2
(50)	(50)	40	0.8	59	48	40	34	30	26	24	19.8	17	14.9	13.2	11.9
WHITE	WHITE	50	0.89	66	53	44	38	33	29	26	22	18.9	16.5	14.7	13.2
		60	0.98	73	58	49	42	36	32	29	24	21	18.2	16.2	14.6

	PSI	GPM	GPA 40" SPACING AT MPH					
			3	4	5	6	7	7.5
BROWN	15	0.34	16.8	12.6	10.1	8.4	7.2	6.7
FL-5VS	20	0.38	18.8	14.1	11.3	9.4	8.1	7.5
FL-5VC	30	0.46	23	17.1	13.7	11.4	9.8	9.1
	40	0.52	26	19.3	15.4	12.9	11.0	10.3
GRAY	15	0.42	21	15.6	12.5	10.4	8.9	8.3
FL-6.5VS	20	0.48	24	17.8	14.3	11.9	10.2	9.5
FL-6.5VC	30	0.57	28	21	16.9	14.1	12.1	11.3
	40	0.65	32	24	19.3	16.1	13.8	12.9
WHITE	15	0.51	25	18.9	15.1	12.6	10.8	10.1
FL-8VS	20	0.58	29	22	17.2	14.4	12.3	11.5
FL-8VC	30	0.70	35	26	21	17.3	14.9	13.9
	40	0.79	39	29	23	19.6	16.8	15.6
BLUE	15	0.67	33	25	19.9	16.6	14.2	13.3
FL-10VS	20	0.76	38	28	23	18.8	16.1	15.0
FL-10VC	30	0.91	45	34	27	23	19.3	18.0
	40	1.00	50	37	30	25	21	19.8
GREEN	15	0.97	48	36	29	24	21	19.2
FL-15VS	20	1.11	55	41	33	27	24	22
FL-15VC	30	1.32	65	49	39	33	28	26
	40	1.50	74	56	45	37	32	30

FULLJET WIDE ANGLE FULL CONE SPRAY TIP

FEATURES:

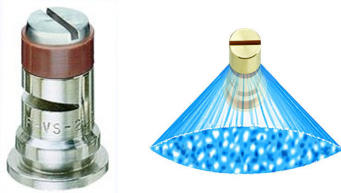
LARGE DROPLETS TO REDUCE DRIFT
DISTRIBUTION OVER A RANGE OF PRESSURES (15 - 40 PSI)
WIDE SPRAY ANGLE ALLOWS USE OF 40" SPACING



MATERIAL	DESCRIPTION	PRICE
VS	VISIFLO SS	13.50 D
VC	VISIFLO CELCON	8.60 D

TURBO FLOODJET WIDE ANGLE FLAT SPRAY TIP

****Always verify tips or orifices you received are the size which you require before using with chemical.
Chemical rates need to be obtained from your chemical dealer.****

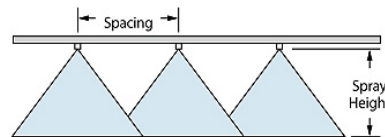


**EXCELLENT CHOICE FOR:
PRE-EMERGE & SYSTEMIC HERBICIDES.
SYSTEMIC FUNGICIDES & INSECTICIDES.**

FEATURES:

- **EXCELLENT SPRAY DISTRIBUTION FOR UNIFORM COVERAGE ALONG THE BOOM.
- **NOZZLE DESIGN INCORPORATES A PRE-ORIFICE TO PRODUCE LARGER DROPLETS FOR LESS DRIFT.
- **LARGER ROUND ORIFICE REDUCES CLOGGING.
- **STAINLESS STEEL WITH VISIFLO COLOR-CODING FOR EASY SIZE IDENTIFICATION.

MATERIAL	PRICE
CODE	PRICE
VS	14.99 D
VP	3.42 D



SPACING	OPTIMUM HEIGHT
20"	24"*
30"	30"*
40"	39"*

*Wide angle spray nozzle height is influenced by nozzle orientation. The critical factor is to achieve a minimum 30% overlap.

	PSI	GPM	GPA 40" SPACING AT MPH										
			4	5	6	7	8	9	10	12	14	16	18
	10	0.20	7.4	5.9	5.0	4.2	3.7	3.3	3.0	2.5	2.1	1.9	1.7
TF-VS2	20	0.28	10.4	8.3	6.9	5.9	5.2	4.6	4.2	3.5	3.0	2.6	2.3
TF-VP2	30	0.35	13.0	10.4	8.7	7.4	6.5	5.8	5.2	4.3	3.7	3.2	2.9
RED	40	0.40	14.9	11.9	9.9	8.5	7.4	6.6	5.9	5.0	4.2	3.7	3.3
	10	0.25	9.3	7.4	6.2	5.3	4.6	4.1	3.7	3.1	2.7	2.3	2.1
TF-VS2.5	20	0.35	13.0	10.4	8.7	7.4	6.5	5.8	5.2	4.3	3.7	3.2	2.9
TF-VP2.5	30	0.43	16.0	12.8	10.6	9.1	8.0	7.1	6.4	5.3	4.6	4.0	3.5
BROWN	40	0.50	18.6	14.9	12.4	10.6	9.3	8.3	7.4	6.2	5.3	4.6	4.1
	10	0.30	11.1	8.9	7.4	6.4	5.6	5.0	4.5	3.7	3.2	2.8	2.5
TF-VS3	20	0.42	15.6	12.5	10.4	8.9	7.8	6.9	6.2	5.2	4.5	3.9	3.5
TF-VP3	30	0.52	19.3	15.4	12.9	11.0	9.7	8.6	7.7	6.4	5.5	4.8	4.3
GRAY	40	0.60	22	17.8	14.9	12.7	11.1	9.9	8.9	7.4	6.4	5.6	5.0
	10	0.40	14.9	11.9	9.9	8.5	7.4	6.6	5.9	5.0	4.2	3.7	3.3
TF-VS4	20	0.57	21	16.9	14.1	12.1	10.6	9.4	8.5	7.1	6.0	5.3	4.7
TF-VP4	30	0.69	26	20	17.1	14.6	12.8	11.4	10.2	8.5	7.3	6.4	5.7
WHITE	40	0.80	30	24	19.8	17.0	14.9	13.2	11.9	9.9	8.5	7.4	6.6
	10	0.50	18.6	14.9	12.4	10.6	9.3	8.3	7.4	6.2	5.3	4.6	4.1
TF-VS5	20	0.71	26	21	17.6	15.1	13.2	11.7	10.5	8.8	7.5	6.6	5.9
TF-VP5	30	0.87	32	26	22	18.5	16.1	14.4	12.9	10.8	9.2	8.1	7.2
BLUE	40	1.00	37	30	25	21	18.6	16.5	14.9	12.4	10.6	9.3	8.3
	10	0.75	28	22	18.6	15.9	13.9	12.4	11.1	9.3	8.0	7.0	6.2
TF-VS7.5	20	1.06	39	31	26	22	19.7	17.5	15.7	13.1	11.2	9.8	8.7
TF-VP7.5	30	1.30	48	39	32	28	24	21	19.3	16.1	13.8	12.1	10.7
GREEN	40	1.50	56	45	37	32	28	25	22	18.6	15.9	13.9	12.4
	10	1.00	37	30	25	21	18.6	16.5	14.9	12.4	10.6	9.3	8.3
TF-VS10	20	1.41	52	42	35	30	26	23	21	17.4	15.0	13.1	11.6
TF-VP10	30	1.73	64	51	43	37	32	29	26	21	18.4	16.1	14.3
BLACK	40	2.00	74	59	50	42	37	33	30	25	21	18.6	16.5

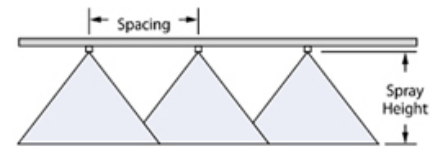
FLOODJET WIDE ANGLE FLAT SPRAY TIPS & NOZZLES

****Always verify tips or orifices you received are the size which you require before using with chemical.
Chemical rates need to be obtained from your chemical dealer.****

THE FLOODJET TIPS AND NOZZLES PRODUCE A VERY WIDE DEFLECTOR TYPE FLAT SPRAY PATTERN. ROUND ORIFICE MINIMIZES CLOGGING.

Style	Description	PSI	GPM	GPA														
				4	5	6	8	10	12	14	16	18	20					
				mph	mph	mph	mph	mph	mph	mph	mph	mph	mph	mph				
TK-*.50	1/8K-*.50	10	0.05															
		20	0.07	2.6	2.1	1.7	1.3	1.0	0.87	0.74	0.65	0.58	0.52					
		30	0.09	3.3	2.7	2.2	1.7	1.3	1.11	0.95	0.84	0.74	0.67					
		40	0.10	3.7	3.0	2.5	1.9	1.5	1.2	1.1	0.93	0.83	0.74					
		10	0.08	3.0	2.4	2.0	1.5	1.2	0.99	0.85	0.74	0.66	0.59					
TK-*.75	1/8K-*.75	20	0.11	4.1	3.3	2.7	2.0	1.6	1.4	1.2	1.0	0.91	0.82					
		30	0.13	4.8	3.9	3.2	2.4	1.9	1.6	1.4	1.2	1.1	0.97					
		40	0.15	5.6	4.5	3.7	2.8	2.2	1.9	1.6	1.4	1.2	1.1					
		10	0.10	3.7	3.0	2.5	1.9	1.5	1.2	1.1	0.93	0.83	0.74					
TK-*1	1/8K-*1	20	0.14	5.2	4.2	3.5	2.6	2.1	1.7	1.5	1.3	1.2	1.0					
		30	0.17	6.3	5.0	4.2	3.2	2.5	2.1	1.8	1.6	1.4	1.3					
		40	0.20	7.4	5.9	5.0	3.7	3.0	2.5	2.1	1.9	1.7	1.5					
		10	0.15	5.6	4.5	3.7	2.8	2.2	1.9	1.6	1.4	1.2	1.1					
TK-*1.5	1/8K-*1.5	20	0.21	7.8	6.2	5.2	3.9	3.1	2.6	2.2	1.9	1.7	1.6					
		30	0.26	9.7	7.7	6.4	4.8	3.9	3.2	2.8	2.4	2.1	1.9					
		40	0.30	11.1	8.9	7.4	5.6	4.5	3.7	3.2	2.8	2.5	2.2					
		10	0.20	7.4	5.9	5.0	3.7	3.0	2.5	2.1	1.9	1.7	1.5					
TK-VS2		20	0.28	10.4	8.3	6.9	5.2	4.2	3.5	3.0	2.6	2.3	2.1					
TK-*2	1/8K-*2	30	0.35	13.0	10.4	8.7	6.5	5.2	4.3	3.7	3.2	2.9	2.6					
		40	0.40	14.9	11.9	9.9	7.4	5.9	5.0	4.2	3.7	3.3	3.0					
		10	0.25	9.3	7.4	6.2	4.6	3.7	3.1	2.7	2.3	2.1	1.9					
TK-VS2.5		20	0.35	13.0	10.4	8.7	6.5	5.2	4.3	3.7	3.2	2.9	2.6					
TK-*2.5	1/8K-*2.5	30	0.43	16.0	12.8	10.6	8.0	6.4	5.3	4.6	4.0	3.5	3.2					
		40	0.50	18.6	14.9	12.4	9.3	7.4	6.2	5.3	4.6	4.1	3.7					
		10	0.30	11.1	8.9	7.4	5.6	4.5	3.7	3.2	2.8	2.5	2.2					
TK-VS3		20	0.42	15.6	12.5	10.4	7.8	6.2	5.2	4.5	3.9	3.5	3.1					
TK-*3	1/8K-*3	30	0.52	19.3	15.4	12.9	9.7	7.7	6.4	5.5	4.8	4.3	3.9					
		40	0.60	22	17.8	14.9	11.1	8.9	7.4	6.4	5.6	5.0	4.5					
		10	0.40	14.9	11.9	9.9	7.4	5.9	5	4.2	3.7	3.3	3.0					
TK-VS4		20	0.57	21	16.9	14.1	10.6	8.5	7.1	6	5.3	4.7	4.2					
TK-*4	1/8K-*4	30	0.69	26	20	17.1	12.8	10.2	8.5	7.3	6.4	5.7	5.1					
		40	0.80	30	24	19.8	14.9	11.9	9.9	8.5	7.4	6.6	5.9					
		10	0.50	18.6	14.9	12.4	9.3	7.4	6.2	5.3	4.6	4.1	3.7					
TK-VS5		20	0.71	26	21	17.6	13.2	10.5	8.8	7.5	6.6	5.9	5.3					
TK-*5	1/8K-*5	30	0.87	32	26	22	16.1	12.9	10.8	9.2	8.1	7.2	6.5					
		40	1.00	37	30	25	18.6	14.9	12.4	10.6	9.3	8.3	7.4					
		10	0.75	28	22	18.6	13.9	11.1	9.3	8.0	7.0	6.2	5.6					
TK-VS7.5		20	1.06	39	31	26	19.7	15.7	13.1	11.2	9.8	8.7	7.9					
TK-*7.5	1/8K-*7.5	30	1.30	48	39	32	24	19.3	16.1	13.8	12.1	10.7	9.7					
		40	1.50	56	45	37	28	22	18.6	15.9	13.9	12.4	11.1					
		10	1.00	37	30	25	18.6	14.9	12.4	10.6	9.3	8.3	7.4					
TK-VS10		20	1.41	52	42	35	26	21	17.4	15.0	13.1	11.6	10.5					
TK-*10	1/8K-*10	30	1.73	64	51	43	32	26	21	18.4	16.1	14.3	12.8					
		40	2.00	74	59	50	37	30	25	21	18.6	16.5	14.9					
		10	1.20	45	36	30	22	17.8	14.9	12.7	11.1	9.9	8.9					
		20	1.70	63	50	42	32	25	21	18.0	15.8	14.0	12.6					
	1/8K-*12	30	2.08	77	62	51	39	31	26	22	19.3	17.2	15.4					
		40	2.40	89	71	59	45	36	30	25	22	19.8	17.8					
		10	1.50	56	45	37	28	22	18.6	15.9	13.9	12.4	11.1					
TK-*15	1/8K-*15	20	2.12	79	63	52	39	31	26	22	19.7	17.5	15.7					
		30	2.60	97	77	64	48	39	32	28	24	21	19.3					
		40	3.00	111	89	74	56	45	37	32	28	25	22					
		10	1.80	67	53	45	33	27	22	19.1	16.7	14.9	13.4					
		20	2.55	95	76	63	47	38	32	27	24	21	18.9					
	1/8K-*18	30	3.12	116	93	77	58	46	39	33	29	26	23					
		40	3.60	134	107	89	67	53	45	38	33	30	27					
		10	2.00	74	59	50	37	30	25	21	18.6	16.5	14.9					
TK-*20	1/8K-*20	20	2.83	105	84	70	53	42	35	30	26	23	21					
	QCK-SS20	30	3.46	128	103	86	64	51	43	37	32	29	26					
		40	4.00	149	119	99	74	59	50	42	37	33	30					
		10	2.20	82	65	54	41	33	27	23	20	18.2	16.3					
		20	3.11	115	92	77	58	46	38	33	29	26	23					
	1/4K*22	30	3.81	141	113	94	71	57	47	40	35	31	28					
		40	4.40	163	131	109	82	65	54	47	41	36	33					
		10	2.40	89	71	59	45	36	30	25	22	19.8	17.8					
		20	3.39	126	101	84	63	50	42	36	31	28	25					
	1/4K*24	30	4.16	154	124	103	77	62	51	44	39	34	31					
		40	4.80	178	143	119	89	71	59	51	45	40	36					

STYLE	DESCRIPTION	SIZE	PRICE
TKSS	ALL STAINLESS	5-40	14.20 D
TKVS	STAINLESS-VISIFLO		13.50 D
1/4KSS	THREADED SS	1/4"	21.86 D
3/8KSS	THREADED SS	3/8"	29.30 D
1/8KSS	THREADED SS	1/8"	18.09 D
QCK-SS	STAINLESS-VISIFLO	20-40	42.61 D
QCK-SS	STAINLESS-VISIFLO	50-80	46.60 D
QCK-SS	STAINLESS-VISIFLO	100-120	55.12 D
QCK-SS	STAINLESS-VISIFLO	150-200	91.87 D



THERE IS NO RECOMMENDED SPRAY HEIGHT FOR STANDARD FLOOD JET TIPS. RAISE OR LOWER SPRAY BOOM OR ROTATE NOZZLE BODIES TO DOUBLE OVERLAP SPRAY PATTERNS AND PROVIDE OPTIMUM COVERAGE ALONG BOOM.

FLOODJET WIDE ANGLE FLAT SPRAY TIPS & NOZZLES



		PSI	GPM	GPA									
				4 mph	5 mph	6 mph	8 mph	10 mph	12 mph	14 mph	16 mph	18 mph	20 mph
	10	2.7	67	53	45	33	27	22	19.1	16.7	14.9	13.4	
	20	3.8	94	75	63	47	38	31	27	24	21	18.8	
	30	4.7	116	93	78	58	47	39	33	29	26	23	
	40	5.4	134	107	89	67	53	45	38	33	30	27	
	10	3.0	74	59	50	37	30	25	21	18.6	16.5	14.9	
TK-*30	3/8K-*30	20	4.2	104	83	69	52	42	35	30	26	23	21
	QCK-SS30	30	5.2	129	103	86	64	51	43	37	32	29	26
	40	6.0	149	119	99	74	59	50	42	37	33	30	
	10	3.5	87	69	58	43	35	29	25	22	19.3	17.3	
	3/8K-*35	20	4.9	121	97	81	61	49	40	35	30	27	24
	30	6.1	151	121	101	75	60	50	43	38	34	30	
	40	7.0	173	139	116	87	69	58	50	43	39	35	
	10	4.0	99	79	66	50	40	33	28	25	22	19.8	
	3/8K-*40	20	5.7	141	113	94	71	56	47	40	35	31	28
	QCK-SS40	30	6.9	171	137	114	85	68	57	49	43	38	34
	40	8.0	198	158	132	99	79	66	57	50	44	40	
	10	4.5	111	89	74	56	45	37	32	28	25	22	
	3/8K-*45	20	6.4	158	127	106	79	63	53	45	40	35	32
	30	7.8	193	154	129	97	77	64	55	48	43	39	
	40	9.0	223	178	149	111	89	74	64	56	50	45	
	10	5.0	124	99	83	62	50	41	35	31	28	25	
	1/2K-*50	20	7.1	176	141	117	88	70	59	50	44	39	35
	QCK-SS50	30	8.7	215	172	144	108	86	72	62	54	48	43
	40	10.0	248	198	165	124	99	83	71	62	55	50	
	10	6.0	149	119	99	74	59	50	42	37	33	30	
	1/2K-*60	20	8.5	210	168	140	105	84	70	60	53	47	42
	QCK-SS60	30	10.4	257	206	172	129	103	86	74	64	57	51
	40	12.0	297	238	198	149	119	99	85	74	66	59	
	10	7.0	173	139	116	87	69	58	50	43	39	35	
	1/2K-*70	20	9.9	245	196	163	123	98	82	70	61	54	49
	30	12.1	299	240	200	150	120	100	86	75	67	60	
	40	14.0	347	277	231	172	139	116	99	87	77	69	
	10	8.0	198	158	132	99	79	66	57	50	44	40	
	1/2K-*80	20	11.3	280	224	186	140	112	93	80	70	62	56
	QCK-SS80	30	13.9	244	275	229	172	138	115	98	86	76	69
	40	16.0	396	317	264	198	158	132	113	99	88	79	
	10	9.0	223	178	149	111	89	74	64	56	50	45	
	3/4K-*90	20	12.7	314	251	210	157	126	105	90	79	70	63
	30	15.6	386	309	257	193	154	129	110	97	86	77	
	40	18.0	446	356	297	223	178	149	127	111	99	89	
	10	10.0	248	198	165	124	99	83	70	62	55	50	
	3/4K-*100	20	14.1	349	279	233	174	140	116	100	87	78	70
	QCK-SS100	30	17.3	428	343	285	214	171	143	122	107	95	86
	40	20.0	495	396	330	248	198	165	141	124	110	99	
	10	11.0	272	218	182	136	109	91	78	68	61	54	
	3/4K-*110	20	15.6	386	309	257	193	154	129	110	97	86	77
	30	19.1	473	378	315	236	189	158	135	118	105	95	
	40	22.0	545	436	363	272	218	182	156	136	121	109	
	10	12.0	297	238	198	149	119	99	85	74	66	59	
	3/4K-*120	20	17.0	421	337	281	210	168	140	120	105	94	84
	QCK-SS120	30	20.8	515	412	343	257	206	172	147	129	114	103
	40	24.0	594	475	396	297	238	198	170	149	132	119	
	10	14.0	347	277	231	173	139	116	99	87	77	69	
	3/4K-*140	20	19.8	490	392	327	245	196	163	140	123	109	98
	30	24.2	599	479	399	299	240	200	171	150	133	120	
	40	28.0	693	554	462	347	277	231	198	173	154	139	
	10	15.0	371	297	248	186	149	124	106	93	83	74	
	QCK-SS150	20	21.2	525	420	350	262	210	175	150	131	117	105
	30	26.0	644	515	429	322	257	215	184	161	143	129	
	40	30.0	743	594	495	371	297	248	212	186	165	149	
	10	16.0	396	317	264	198	158	132	113	99	88	79	
	3/4K-*160	20	22.6	559	447	373	280	224	186	160	140	124	112
	30	27.7	686	548	457	343	274	229	196	171	152	137	
	40	32.0	792	634	528	396	317	264	226	198	176	158	
	10	18.0	446	356	297	223	178	149	127	111	99	89	
	3/4K-*180	20	25.5	631	505	421	316	252	210	180	158	140	126
	QCK-SS180	30	31.2	772	618	515	386	309	257	221	193	172	154
	40	36.0	891	713	594	446	356	297	255	223	198	178	
	10	21.0	520	416	347	260	208	173	149	130	116	104	
	3/4K-*210	20	29.7	735	588	490	368	294	245	210	184	163	147
	QCK-SS210	30	36.4	901	721	601	450	360	300	257	225	200	180
	40	42.0	1040	832	693	520	416	347	297	260	231	208	

STYLE	DESCRIPTION	SIZE	PRICE
TKSS	ALL STAINLESS	.5-40	14.20 D
TKVS	STAINLESS-VISIFLO		13.50 D
1/4KSS	THREADED SS	1/4"	21.86 D
3/8KSS	THREADED SS	3/8"	29.30 D
1/8KSS	THREADED SS	1/8"	18.09 D
QCK-SS	STAINLESS-VISIFLO	20-40	42.61 D
QCK-SS	STAINLESS-VISIFLO	50-80	46.60 D
QCK-SS	STAINLESS-VISIFLO	100-120	55.12 D
QCK-SS	STAINLESS-VISIFLO	150-200	91.87 D

DISC-CORE TYPE FULL CONE SPRAY TIP



****Always verify tips or orifices you received are the size which you require before using with chemical.
Chemical rates need to be obtained from your chemical dealer.****

ORIFICE DISCS:

AVAILABLE IN A VARIETY OF SIZES AND MATERIALS, CERAMIC FOR INCREASED WEAR LIFE, HARDENED STAINLESS STEEL, STAINLESS STEEL AND POLYMER.



CORES:

STANDARD CORES ARE MADE OF BRASS, ALSO AVAILABLE IN CERAMIC, HARDENED STAINLESS STEEL, ALUMINUM AND NYLON. ALL CORES EXCEPT CERAMIC ARE MADE WITH READ "NIBS", BE SURE CORE IS ALWAYS PLACED WITH THE NIB FACING THE NOZZLE BODY.

PART #	DISC DESCRIPTION	PRICE
DCER-2	CERAMIC	4.68 D
D2	HARDENED STAINLESS	1.71 D
DE-2	STAINLESS	1.55 D
DVP-2	POLYMER	1.10 D

PART #	CORE DESCRIPTION	PRICE
DC-XX-CER	CERAMIC	7.11 D
DC-XX-HSS	HARDENED STAINLESS	7.07 D
DC-XX	BRASS	2.97 D
DC-XX-NY	NYLON	1.55 D

DISC	CORE	SIZE	GPM										SPRAY ANGLE		
			10	20	30	40	60	80	100	150	200	300	20	40	80
			PSI	PSI	PSI	PSI	PSI	PSI	PSI	PSI	PSI	PSI	PSI	PSI	PSI
DI	DC31	.031"	0.08	0.11	0.13	0.15	0.18	0.20	0.23	0.27	0.31	0.37	49°	47°	43°
D1.5	DC31	.036"	0.10	0.14	0.17	0.19	0.23	0.26	0.29	0.35	0.40	0.48	57°	65°	53°
D2	DC31	.041"	0.12	0.16	0.19	0.22	0.26	0.30	0.33	0.40	0.45	0.55	62°	63°	61°
D3	DC31	.047"	0.13	0.18	0.21	0.24	0.29	0.33	0.37	0.44	0.50	0.60	63°	65°	63°
D1.5	DC33	.031"	0.09	0.11	0.12	0.14	0.17	0.20	0.22	0.26	0.30	0.37	27°	32°	35°
D1.5	DC33	.036"	0.12	0.15	0.17	0.19	0.23	0.26	0.30	0.36	0.41	0.50	37°	43°	45°
D2	DC33	.041"	0.13	0.17	0.21	0.24	0.29	0.33	0.37	0.45	0.52	0.63	45°	52°	55°
D3	DC33	.047"	0.15	0.21	0.25	0.29	0.36	0.41	0.45	0.55	0.63	0.76	48°	54°	57°
D4	DC33	.063"	0.20	0.28	0.34	0.39	0.47	0.54	0.60	0.73	0.83	1.02	50°	56°	61°
D1.5	DC35	.031"	0.08	0.11	0.13	0.14	0.17	0.20	0.22	0.26	0.29	0.35	19°	23°	26°
D1.5	DC35	.036"	0.10	0.14	0.17	0.19	0.23	0.26	0.29	0.34	0.39	0.46	23°	27°	29°
D2	DC35	.041"	0.14	0.18	0.24	0.25	0.30	0.34	0.37	0.45	0.51	0.60	40°	44°	47°
D3	DC35	.047"	0.16	0.22	0.26	0.30	0.36	0.41	0.45	0.55	0.62	0.74	45°	50°	52°
D4	DC35	.063"	0.27	0.37	0.44	0.50	0.60	0.70	0.79	0.93	1.10	1.30	68°	70°	71°
D5	DC35	.078"	0.34	0.48	0.58	0.66	0.80	0.92	1.00	1.20	1.40	1.70	67°	69°	71°
D2	DC56	.041"			0.21	0.25	0.30	0.35	0.39	0.47	0.55	0.67		14°	17°
D3	DC56	.047"			0.29	0.34	0.41	0.48	0.53	0.65	0.75	0.92		20°	23°
D4	DC56	.063"		0.39	0.48	0.55	0.67	0.78	0.87	1.06	1.23	1.51	20°	26°	29°
D5	DC56	.078"	0.38	0.54	0.66	0.76	0.93	1.08	1.20	1.47	1.69	2.08	26°	32°	34°
D6	DC56	.094"	0.55	0.78	0.95	1.10	1.35	1.55	1.74	2.13	2.46	3.02	34°	39°	41°
D7	DC56	.109"	0.76	1.07	1.32	1.52	1.86	2.15	2.40	2.94	3.40	4.16	45°	52°	54°
D8	DC56	.125"	0.96	1.36	1.67	1.93	2.36	2.73	3.05	3.73	4.32	5.28	52°	57°	59°
D10	DC56	.156"	1.35	1.91	2.34	2.70	3.31	3.82	4.26	5.22	6.03	7.39	62°	65°	67°

DISC-CORE TYPE HOLLOW CONE SPRAY TIP

****Always verify tips or orifices you received are the size which you require before using with chemical.
Chemical rates need to be obtained from your chemical dealer.****

TYPICAL ASSEMBLY W/CERAMIC DISC & CORE



PART #	DISC DESCRIPTION	PRICE
DCER-2	CERAMIC	4.68 D
D2	HARDENED STAINLESS	1.71 D
DE-2	STAINLESS	1.55 D
DVP-2	POLYMER	1.10 D

PART #	CORE DESCRIPTION	PRICE
DC-XX-CER	CERAMIC	7.11 D
DC-XX-HSS	HARDENED STAINLESS	7.07 D
DC-XX	BRASS	2.97 D
DC-XX-NY	NYLON	1.55 D

DISC	CORE	SIZE	GPM										SPRAY ANGLE		
			10 PSI	20 PSI	30 PSI	40 PSI	60 PSI	80 PSI	100 PSI	150 PSI	200 PSI	300 PSI	20 PSI	40 PSI	80 PSI
D1	DC13	.031"			0.059	0.066	0.078	0.088	0.097	0.115	0.128	0.152		51°	62°
D1.5	DC13	.036"		0.057	0.067	0.075	0.088	0.098	0.110	0.127	0.142	0.167	38°	55°	66°
D2	DC13	.041"		0.064	0.075	0.08	0.10	0.11	0.12	0.14	0.16	0.18	49°	67°	72°
D3	DC13	.047"		0.071	0.08	0.09	0.11	0.12	0.13	0.16	0.18	0.20	53°	70°	75°
D4	DC13	.063"	0.070	0.09	0.11	0.12	0.14	0.16	0.17	0.20	0.23	0.27	69°	79°	83°
D1.5	DC23	.031"			0.064	0.072	0.080	0.096	0.107	0.124	0.139	0.164		47°	58°
D1.5	DC23	.036"		0.640	0.076	0.086	0.103	0.117	0.130	0.155	0.175	0.210	34°	51°	62°
D2	DC23	.041"		0.078	0.092	0.10	0.13	0.14	0.16	0.19	0.21	0.25	51°	63°	70°
D3	DC23	.047"	0.065	0.087	0.10	0.12	0.14	0.16	0.18	0.21	0.24	0.28	58°	69°	75°
D4	DC23	.063"	0.082	0.113	0.14	0.15	0.19	0.21	0.23	0.28	0.32	0.38	68°	82°	87°
D5	DC23	.078"	0.095	0.13	0.16	0.18	0.22	0.25	0.28	0.34	0.38	0.46	79°	89°	94°
D6	DC23	.094"	0.112	0.15	0.19	0.21	0.26	0.29	0.32	0.39	0.45	0.54	84°	93°	98°
D1.5	DC25	.031"			0.088	0.101	0.122	0.138	0.156	0.185	0.210	0.255		27°	43°
D1.5	DC25	.036"			0.118	0.135	0.162	0.185	0.205	0.245	0.280	0.33		38°	49°
D2	DC25	.041"		0.12	0.14	0.16	0.19	0.22	0.25	0.29	0.34	0.41	39°	51°	58°
D3	DC25	.047"	0.10	0.14	0.17	0.19	0.23	0.26	0.29	0.35	0.40	0.48	52°	61°	67°
D4	DC25	.063"	0.15	0.21	0.25	0.29	0.35	0.40	0.45	0.54	0.62	0.75	67°	74°	80°
D5	DC25	.078"	0.18	0.25	0.30	0.35	0.42	0.48	0.54	0.65	0.75	0.90	73°	79°	84°
D6	DC25	.094"	0.23	0.32	0.39	0.44	0.54	0.62	0.70	0.85	0.97	1.19	79°	85°	89°
D7	DC25	.109"	0.26	0.37	0.45	0.52	0.63	0.73	0.81	0.98	1.18	1.37	85°	91°	93°
D8	DC25	.125"	0.31	0.43	0.53	0.61	0.75	0.89	0.97	1.19	1.36	1.68	91°	96°	97°
D10	DC25	.156"	0.38	0.54	0.65	0.76	0.93	1.07	1.21	1.48	1.71	2.10	97°	102°	103°
D12	DC25	.188"	0.46	0.61	0.80	0.93	1.15	1.32	1.47	1.81	2.09	2.55	103°	109°	112°
D14	DC25	.219"	0.51	0.72	0.88	1.03	1.26	1.47	1.65	2.02	2.34	2.89	108°	113°	114°
D1	DC45	.031"				0.125	0.148	0.170	0.190	0.225	0.257	0.310		22°	34°
D1.5	DC45	.036"			0.14	0.16	0.20	0.23	0.25	0.31	0.35	0.43		33°	44°
D2	DC45	.041"		0.14	0.18	0.20	0.25	0.28	0.32	0.38	0.44	0.53	32°	46°	55°
D3	DC45	.047"		0.17	0.20	0.23	0.28	0.33	0.36	0.44	0.51	0.62	40°	53°	60°
D4	DC45	.063"	0.18	0.25	0.31	0.36	0.43	0.50	0.56	0.68	0.78	0.95	62°	69°	72°
D5	DC45	.078"	0.23	0.32	0.39	0.45	0.55	0.64	0.71	0.86	0.99	1.22	67°	73°	76°
D6	DC45	.094"	0.29	0.41	0.50	0.58	0.72	0.83	0.93	1.15	1.33	1.64	73°	79°	81°
D7	DC45	.109"	0.33	0.48	0.59	0.68	0.84	0.97	1.11	1.35	1.57	1.94	81°	86°	87°
D8	DC45	.125"	0.41	0.59	0.72	0.84	1.04	1.21	1.35	1.68	1.94	2.40	86°	90°	90°
D10	DC45	.156"	0.54	0.77	0.94	1.10	1.35	1.57	1.77	2.18	2.50	3.10	90°	93°	93°
D12	DC45	.188"	0.67	0.95	1.17	1.36	1.68	1.95	2.20	2.69	3.11	3.80	97°	100°	102°
D14	DC45	.218"	0.75	1.07	1.32	1.53	1.89	2.19	2.45	3.00	3.49	4.30	101°	104°	105°
D16	DC45	.250"	0.86	1.25	1.54	1.79	2.20	2.57	2.89	3.54	4.11	5.20	108°	111°	112°
D1	DC46	.031"				0.145	0.178	0.205	0.23	0.28	0.32	0.39		13°	15°
D1.5	DC46	.036"				0.213	0.260	0.300	0.33	0.41	0.46	0.56		15°	17°
D2	DC46	.041"			0.24	0.27	0.33	0.37	0.42	0.50	0.57	0.68		18°	21°
D3	DC46	.047"		0.23	0.28	0.32	0.39	0.45	0.51	0.61	0.70	0.86		14°	24°

QUICK TURBO FLOODJET WIDE ANGLE FLAT SPRAY TIP



FEATURES:

PATENTED TURBULENCE CHAMBER CREATES A DRAMATIC IMPROVEMENT PATTERN UNIFORMITY.
 PRE-ORIFICE DESIGN PRODUCES LARGER DROPLETS FOR REDUCED DRIFT.
 LARGE ROUND ORIFICE REDUCES CLOGGING.
 GROOVED SIDE MOLDING FOR AUTOMATIC ALIGNMENT WITH ANY QUICK COUPLER.
 STAINLESS STEEL WITH COLOR-CODING FOR EASY SIZE IDENTIFICATION.
 AVAILABLE IN STANDARD SIZES FROM 1.5 GPM TO 24 GPM AT PRESSURES OF 10 - 40 PSI.

PART	SIZE	PRICE
QCTF-VS-XX	15-80	39.62 D
QCTF-VS-XX	100-120	54.09 D

OPTIMUM SPRAY HEIGHT	
SPACING	HEIGHT
40"	40"
60"	60"



	PSI	GPM	GPA							
			4 mph	6 mph	8 mph	10 mph	12 mph	14 mph	16 mph	18 mph
QCTF-VS15	10	1.50	37	25	18.6	14.9	12.4	10.6	9.3	8.3
	20	2.12	52	35	26	21	17.5	15.0	13.1	11.7
	30	2.60	64	43	32	26	21	18.4	16.1	14.3
	40	3.00	74	50	37	30	25	21	18.6	16.5
QCTF-VS20	10	2.00	50	33	25	19.8	16.5	14.1	12.4	11.0
	20	2.83	70	47	35	28	23	20	17.5	15.6
	30	3.46	86	57	43	34	29	24	21	19.0
	40	4.00	99	66	50	40	33	28	25	22
QCTF-VS30	10	3.00	74	50	37	30	25	21	18.6	16.5
	20	4.24	105	70	52	42	35	30	26	23
	30	5.20	129	86	64	51	43	37	32	29
	40	6.00	149	99	74	59	50	42	37	33
QCTF-VS40	10	4.00	99	66	50	40	33	28	25	22
	20	5.66	140	93	70	56	47	40	35	31
	30	6.93	172	114	86	69	57	49	43	38
	40	8.00	198	132	99	79	66	57	50	44
QCTF-VS50	10	5.00	124	83	62	50	41	35	31	28
	20	7.07	175	117	78	70	58	50	44	39
	30	8.66	214	143	107	86	71	61	54	48
	40	10.00	248	165	124	99	83	71	62	55
QCTF-VS60	10	6.00	149	99	74	59	50	42	37	33
	20	8.49	210	140	105	84	70	60	53	47
	30	10.4	257	172	129	103	86	74	64	57
	40	12.0	297	198	149	119	99	85	74	66
QCTF-VS80	10	8.00	198	132	99	79	66	57	50	44
	20	11.3	280	186	140	112	93	80	70	62
	30	13.9	344	229	172	138	115	98	86	76
	40	16.0	396	264	198	158	132	113	99	88
QCTF-VS100	10	10.0	248	165	124	99	83	71	62	55
	20	14.1	349	233	174	140	116	100	87	78
	30	17.3	428	285	214	171	143	122	107	95
	40	20.0	495	330	248	198	165	141	124	110
QCTF-VS120	10	12.0	297	198	149	119	99	85	74	66
	20	17.0	421	281	210	168	140	120	105	94
	30	20.8	515	343	257	206	172	147	129	114
	40	24.0	594	396	297	238	198	170	149	132

OFF-CENTER FLAT SPRAY TIP SMALL CAPACITIES

****Always verify tips or orifices you received are the size which you require before using with chemical.
Chemical rates need to be obtained from your chemical dealer.****



PART	PRICE
OC-02 THRU OC-16	12.67 D
OC-SS-02 THRU OC-SS-16	18.70 D



TEEJET OFF-CENTER SPRAY TIPS ARE COMMONLY INSTALLED IN DOUBLE AND SINGLE NOZZLE BODIES. BECAUSE THESE BODIES ARE ADJUSTABLE FOR ANGULAR POSITION, A WIDE SPRAY SWATH IS EASILY OBTAINED.

RECOMMENDED SPRAYING PRESSURES ARE 30-60 PSI (2-4 BAR).

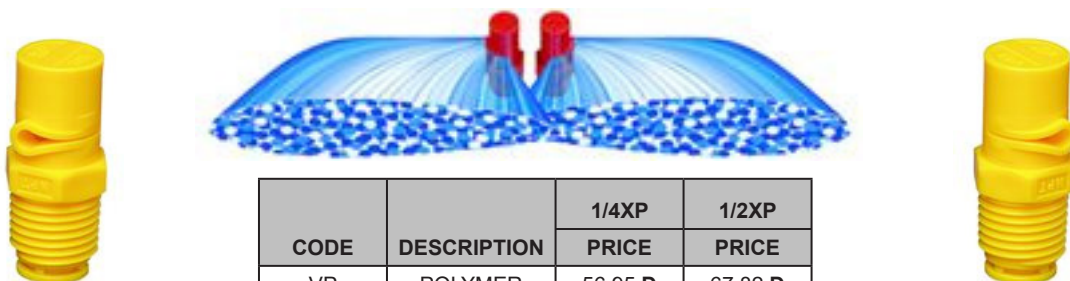
AVAILABLE IN STAINLESS STEEL AND BRASS.

	PSI	GPM	"H" = 18"				"H" = 24"					
			"W" in inches	GPA				"W" in inches	GPA			
				3 mph	4 mph	5 mph	6 mph		3 mph	4 mph	5 mph	6 mph
OC-02	30	0.17	68	5.0	3.7	3.0	2.5	75	4.5	3.4	2.7	2.2
	40	0.20	70	5.7	4.2	3.4	2.8	77	5.1	3.9	3.1	2.6
	60	0.24	72	6.6	5.0	4.0	3.3	78	6.1	4.6	3.7	3.0
OC-03	30	0.26	77	6.7	5.0	4.0	3.3	80	6.4	4.8	3.9	3.2
	40	0.30	80	7.4	5.6	4.5	3.7	83	7.2	5.4	4.3	3.6
	60	0.37	82	8.9	6.7	5.4	4.5	85	8.6	6.5	5.2	4.3
OC-04	30	0.35	91	7.6	5.7	4.6	3.8	93	7.5	5.6	4.5	3.7
	40	0.40	93	8.5	6.4	5.1	4.3	94	8.4	6.3	5.1	4.2
	60	0.49	94	10.3	7.7	6.2	5.2	95	10.2	7.7	6.1	5.1
OC-06	30	0.52	99	10.4	7.8	6.2	5.2	108	9.5	7.2	5.7	4.8
	40	0.60	101	11.8	8.8	7.1	5.9	110	10.8	8.1	6.5	5.4
	60	0.73	102	14.2	10.6	8.5	7.1	111	13.0	9.8	7.8	6.5
OC-08	30	0.69	100	13.7	10.2	8.2	6.8	110	12.4	9.3	7.5	6.2
	40	0.80	102	15.5	11.6	9.3	7.8	112	14.1	10.6	8.5	7.1
	60	0.98	104	18.7	14.0	11.2	9.3	113	17.2	12.9	10.3	8.6
OC-12	30	1.04	102	20	15.1	12.1	10.1	113	18.2	13.7	10.9	9.1
	40	1.20	104	23	17.1	13.7	11.4	115	21	15.5	12.4	10.3
	60	1.47	105	28	21	16.6	13.9	116	25	18.8	15.1	12.5
OC-16	30	1.39	132	21	15.6	12.5	10.4	142	19.4	14.5	11.6	9.7
	40	1.60	138	23	17.2	13.8	11.5	146	22	16.3	13.0	10.8
	60	1.96	143	27	20	16.3	13.6	148	26	19.7	15.7	13.1

XPBOOMJET BOOMLESS FLAT SPRAY NOZZLE



PART#	PSI	TWO NOZZLE		NOZZLE SPACING 3"							36" HEIGHT	NOZZLE SPACING 3"						
		GPM	24" HEIGHT	GPA FOR TWO NOZZLES AT MPH								GPA FOR TWO NOZZLES AT MPH						
				4	6	8	10	15	20	4		6	8	10	15	20		
1/4XP10R 1/4XP10L	20	1.42	17	10.3	6.9	5.2	4.1	2.8	2.1	20	8.8	5.9	4.4	3.5	2.3	1.8		
	30	1.74	20	10.8	7.2	5.4	4.3	2.9	2.2	22	9.8	6.5	4.9	3.9	2.6	2		
	40	2	22	11.3	7.5	5.6	4.5	3	2.3	25	9.9	6.6	5	4	2.6	2		
	50	2.24	25	11.1	7.4	5.5	4.4	3	2.2	27	10.3	6.8	5.1	4.1	2.7	2.1		
	60	2.44	26	11.6	7.7	5.8	4.6	3.1	2.3	29	10.4	6.9	5.2	4.2	2.8	2.1		
1/4XP20R 1/4XP20L	20	2.84	18	19.5	13	9.8	7.8	5.2	3.9	22	16	10.7	8	6.4	4.3	3.2		
	30	3.5	23	18.8	12.6	9.4	7.5	5.2	3.8	24	18	12	9	7.2	4.8	3.6		
	40	4	27	18.3	12.2	9.2	7.3	4.9	3.7	28	17.7	11.8	8.8	7.1	4.7	3.5		
	50	4.5	29	19.2	12.8	9.6	7.7	5.1	3.8	30	18.6	12.4	9.3	7.4	5	3.7		
	60	5	30	21	13.8	10.3	8.3	5.5	4.1	32	19.3	12.9	9.7	7.7	5.2	3.9		
1/4XP25R 1/4XP25L	20	3.48	21	21	13.7	10.3	8.2	5.5	4.1	22	19.6	13.1	9.8	7.8	5.2	3.9		
	30	4.26	24	22	14.6	11	8.8	5.9	4.4	27	19.5	13	9.8	7.8	5.2	3.9		
	40	5	27	23	15.3	11.5	9.2	6.1	4.6	29	21	14.2	10.7	8.5	5.7	4.3		
	50	5.5	29	23	15.6	11.7	9.4	6.3	4.7	30	23	15.1	11.3	9.1	6.1	4.5		
	60	6	30	25	16.5	12.4	9.9	6.6	5	32	23	15.5	11.6	9.3	6.2	4.6		
1/2XP40R 1/2XP40L	20	5.74	22	32	22	16.1	12.9	8.6	6.5	24	30	19.7	14.8	11.8	7.9	5.9		
	30	7.06	26	34	22	16.8	13.4	9	6.7	29	30	20	15.1	12.1	8	6		
	40	8	2	35	24	17.7	14.1	9.4	7.1	31	32	21	16	12.8	8.5	6.4		
	50	9.1	30	38	25	18.8	15	10.1	7.5	32	35	23	17.6	14.1	9.4	7		
	60	10	32	39	26	19.3	15.5	10.3	7.7	35	35	24	17.7	14.1	9.4	7.1		
1/2XP80R 1/2XP80L	20	11.2	26	53	36	27	21	14.2	10.7	31	45	30	22	17.9	11.9	8.9		
	30	13.7	30	57	38	28	23	15.1	11.3	33	51	34	26	21	13.7	10.3		
	40	16	32	62	41	31	25	16.5	12.4	35	57	38	28	23	15.1	11.3		
	50	17.5	33	66	44	33	26	17.5	13.1	36	60	40	30	24	16	12		
	60	19.2	35	68	45	34	27	18.1	13.6	37	64	43	32	26	17.1	12.8		



CODE	DESCRIPTION	1/4XP	1/2XP
		PRICE	PRICE
VP	POLYMER	56.95 D	67.82 D

PART#	PSI	ONE NOZZLE GPM	24" HEIGHT	NOZZLE SPACING 3"							36" HEIGHT	NOZZLE SPACING 3"						
				GPA FOR ONE NOZZLES AT MPH								GPA FOR ONE NOZZLES AT MPH						
				4	6	8	10	15	20	4		6	8	10	15	20		
1/4XP10R 1/4XP10L	20	0.71	8.5	10.3	6.9	5.2	4.1	2.8	2.1	10	8.8	5.9	4.4	3.5	2.3	1.8		
	30	0.87	10	10.8	7.2	5.4	4.3	2.9	2.2	11	9.8	6.5	4.9	3.9	2.6	2		
	40	1	11	11.3	7.5	5.6	4.5	3	2.3	12.5	9.9	6.6	5	4	2.6	2		
	50	1.12	12.5	11.1	7.4	5.5	4.4	3	2.2	13.5	10.3	6.8	5.1	4.1	2.7	2.1		
	60	1.22	13	11.6	7.7	5.8	4.6	3.1	2.3	14.5	10.4	6.9	5.2	4.2	2.8	2.1		
1/4XP20R 1/4XP20L	20	1.42	9	19.5	13	9.8	7.8	5.2	3.9	11	16	10.7	8	6.4	4.3	3.2		
	30	1.75	11.5	18.8	12.6	9.4	7.5	5.2	3.8	12	18	12	9	7.2	4.8	3.6		
	40	2	13.5	18.3	12.2	9.2	7.3	4.9	3.7	14	17.7	11.8	8.8	7.1	4.7	3.5		
	50	2.25	14.5	19.2	12.8	9.6	7.7	5.1	3.8	15	18.6	12.4	9.3	7.4	5	3.7		
	60	2.5	15	21	13.8	10.3	8.3	5.5	4.1	16	19.3	12.9	9.7	7.7	5.2	3.9		
1/4XP25R 1/4XP25L	20	1.74	10.5	21	13.7	10.3	8.2	5.5	4.1	11	19.6	13.1	9.8	7.8	5.2	3.9		
	30	2.13	12	22	14.6	11	8.8	5.9	4.4	13.5	19.5	13	9.8	7.8	5.2	3.9		
	40	2.5	13.5	23	15.3	11.5	9.2	6.1	4.6	14.5	21	14.2	10.7	8.5	5.7	4.3		
	50	2.75	14.5	23	15.6	11.7	9.4	6.3	4.7	15	23	15.1	11.3	9.1	6.1	4.5		
	60	3	16	25	16.5	12.4	9.9	6.6	5	16	23	15.5	11.6	9.3	6.2	4.6		
1/2XP40R 1/2XP40L	20	2.87	11	32	22	16.1	12.9	8.6	6.5	12	30	19.7	14.8	11.8	7.9	5.9		
	30	3.53	13	34	22	16.8	13.4	9	6.7	14.5	30	20	15.1	12.1	8	6		
	40	4	14	35	24	17.7	14.1	9.4	7.1	15.5	32	21	16	12.8	8.5	6.4		
	50	4.55	15	38	25	18.8	15	10.1	7.5	16	35	23	17.6	14.1	9.4	7		
	60	5	16	39	26	19.3	15.5	10.3	7.7	17.5	35	24	17.7	14.1	9.4	7.1		
1/2XP80R 1/2XP80L	20	5.6	13	53	36	27	21	14.2	10.7	15.5	45	30	22	17.9	11.9	8.9		
	30	6.83	15	57	38	28	23	15.1	11.3	16.5	51	34	26	21	13.7	10.3		
	40	8	16	62	41	31	25	16.5	12.4	17.5	57	38	28	23	15.1	11.3		
	50	8.73	16.5	66	44	33	26	17.5	13.1	18	60	40	30	24	16	12		
	60	9.6	17.5	68	45	34	27	18.1	13.6	18.5	64	43	32	26	17.1	12.8		



EVEN FLAT SPRAY TIP

****Always verify tips or orifices you received are the size which you require before using with chemical.
Chemical rates need to be obtained from your chemical dealer.****

FEATURES:



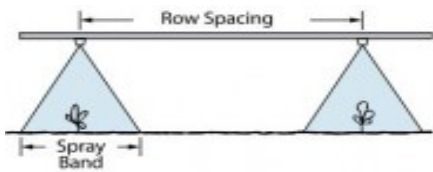
Ideal for banding over the row or in row middles.

Provides uniform distribution throughout the flat spray pattern.

Easily mounted on spray boom or planter.

Available with VisiFlo color-coding in stainless steel or all stainless steel, hardened stainless steel and brass.

MATERIAL		
CODE	DESCRIPTION	PRICE
VS	VISIFLO SS	7.09 D
SS	STAINLESS STEEL	12.20 D
	BRASS	4.86 D



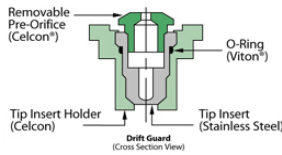
	PSI	GPM	GPA FOR 30" SPACING											
			3	3.5	4	4.5	5	5.5	6	6.5	7	7.5	8	8.5
TP4001E*	20	0.07	4.6	4.0	3.5	3.1	2.8	2.5	2.3	2.1	2.0	1.8	1.7	1.6
TP6501E*	30	0.09	5.9	5.1	4.5	4.0	3.6	3.2	3.0	2.7	2.5	2.4	2.2	2.1
ORANGE	40	0.10	6.6	5.7	5.0	4.4	4.0	3.6	3.3	3.0	2.8	2.6	2.5	2.3
TP8001E	50	0.11	7.3	6.2	5.4	4.8	4.4	4.0	3.6	3.4	3.1	2.9	2.7	2.6
TP9501E	60	0.12	7.9	6.8	5.9	5.3	4.8	4.3	4.0	3.7	3.4	3.2	3.0	2.8
TP40015E*	20	0.11	7.3	6.2	5.4	4.8	4.4	4.0	3.6	3.4	3.1	2.9	2.7	2.6
TP65015E*	30	0.13	8.6	7.4	6.4	5.7	5.1	4.7	4.3	4.0	3.7	3.4	3.2	3.0
GREEN	40	0.15	9.9	8.5	7.4	6.6	5.9	5.4	5.0	4.6	4.2	4.0	3.7	3.5
TP80015E	50	0.17	11.2	9.6	8.4	7.5	6.7	6.1	5.6	5.2	4.8	4.5	4.2	4.0
TP95015E	60	0.18	11.9	10.2	8.9	7.9	7.1	6.5	5.9	5.5	5.1	4.8	4.5	4.2
TP4002E*	20	0.14	9.2	7.9	6.9	6.2	5.5	5.0	4.6	4.3	4.0	3.7	3.5	3.3
TP6502E*	30	0.17	11.2	9.6	8.4	7.5	6.7	6.1	5.6	5.2	4.8	4.5	4.2	4.0
YELLOW	40	0.20	13.2	11.3	9.9	8.8	7.9	7.2	6.6	6.1	5.7	5.3	5.0	4.7
TP8002E	50	0.22	14.5	12.4	10.9	9.7	8.7	7.9	7.3	6.7	6.2	5.8	5.4	5.1
TP9502E	60	0.24	15.8	13.6	11.9	10.6	9.5	8.6	7.9	7.3	6.8	6.3	5.9	5.6
TP4003E*	20	0.21	13.9	11.9	10.4	9.2	8.3	7.6	6.9	6.4	5.9	5.5	5.2	4.9
TP6503E*	30	0.26	17.2	14.7	12.9	11.4	10.3	9.4	8.6	7.9	7.4	6.9	6.4	6.1
BLUE	40	0.30	19.8	17.0	14.9	13.2	11.9	10.8	9.9	9.1	8.5	7.9	7.4	7.0
TP8003E	50	0.34	22	19.2	16.8	15.0	13.5	12.2	11.2	10.4	9.6	9.0	8.4	7.9
TP9503E	60	0.37	24	21	18.3	16.3	14.7	13.3	12.2	11.3	10.5	9.8	9.2	8.6
TP4004E*	20	0.28	18.5	15.8	13.9	12.3	11.1	10.1	9.2	8.5	7.9	7.4	6.9	6.5
TP6504E*	30	0.35	23	19.8	17.3	15.4	13.9	12.6	11.6	10.7	9.9	9.2	8.7	8.2
RED	40	0.40	26	23	19.8	17.6	15.8	14.4	13.2	12.2	11.3	10.6	9.9	9.3
TP8004E	50	0.45	30	25	22	19.8	17.8	16.2	14.9	13.7	12.7	11.9	11.1	10.5
TP9504E	60	0.49	32	28	24	22	19.4	17.6	16.2	14.9	13.9	12.9	12.1	11.4
TP4005E*	20	0.35	23	19.8	17.3	15.4	13.9	12.6	11.6	10.7	9.9	9.2	8.7	8.2
TP6505E*	30	0.43	28	24	21	18.9	17.0	15.5	14.2	13.1	12.2	11.4	10.6	10.0
BROWN	40	0.50	33	28	25	22	19.8	18.0	16.5	15.2	14.1	13.2	12.4	11.6
TP8005E	50	0.56	37	32	28	25	22	20	18.5	17.1	15.8	14.8	13.9	13.0
TP9505E	60	0.61	40	35	30	27	24	22	20	18.6	17.3	16.1	15.1	14.2
TP4006E*	20	0.42	38	34	30	27	24	22	20	18.7	17.2	15.8	14.7	13.7
TP6506E*	30	0.52	44	39	34	30	26	24	22	19.8	18.3	17.0	15.8	14.9
GRAY	40	0.60	40	34	30	26	24	22	20	19.0	17.7	16.6	15.6	
TP8006E	50	0.67	44	38	33	29	27	24	22	20	19.0	17.7	16.6	15.6
TP9506E	60	0.73	48	41	36	32	29	26	24	22	21	19.3	18.1	17.0
TP4008E*	20	0.57	38	32	28	25	23	21	18.8	17.4	16.1	15.0	14.1	13.3
TP6508E*	30	0.69	46	39	34	30	27	25	23	21	19.5	18.2	17.1	16.1
WHITE	40	0.80	53	45	40	35	32	29	26	24	23	21	19.8	18.6
TP8008E	50	0.89	59	50	44	39	35	32	29	27	25	23	22	21
TP11008E	60	0.98	65	55	49	43	39	35	32	30	28	26	24	23
TP4010E*	20	0.71	47	40	35	31	28	26	23	22	20	18.7	17.6	16.5
TP6510E*	30	0.87	57	49	43	38	34	31	29	27	25	23	22	20
TP8010E*	40	1.00	66	57	50	44	40	36	33	30	28	26	25	23
TP11010E*	50	1.12	74	63	55	49	44	40	37	34	32	30	28	26
	60	1.22	81	69	60	54	48	44	40	37	35	32	30	28
TP4015E*	20	1.06	70	60	52	47	42	38	35	32	30	28	26	25
TP6515E*	30	1.30	86	74	64	57	51	47	43	40	37	34	32	30
TP8015E*	40	1.50	99	85	74	66	59	54	50	46	42	40	37	35
TP11015E*	50	1.68	111	95	83	74	67	60	55	51	48	44	42	39
	60	1.84	121	104	91	81	73	66	61	56	52	49	46	43

BAND	SPRAY HEIGHT					GPA	
WIDTH	BY NOZZLE DEGREE					CONVERSION	
	40°	65°	80°	95°	110°	20"	30"
8"	11"	6"	5"	4"	3"	2.50	3.75
10"	14"	8"	6"	5"	4"	2.00	2.00
12"	16"	9"	7"	5"	4"	1.67	2.50
15"	21"	12"	9"	7"	5"	1.33	2.00

TO FIND GPA RATE ON BAND WIDTHS, MULTIPLY THE TABULATED GPA FOR ROW SPACING BY CONVERSION FACTORS.

DRIFT GUARD EVEN FLAT SPRAY TIP

****Always verify tips or orifices you received are the size which you require before using with chemical.
Chemical rates need to be obtained from your chemical dealer.****

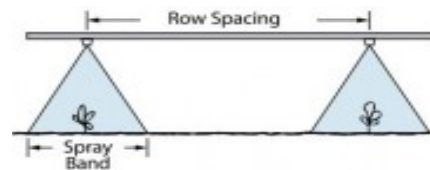


FEATURES:

- **PRE-ORIFICE DESIGN PRODUCES LARGE DROPLETS TO REDUCE DRIFT.
- **IDEAL FOR BANDING OVER THE ROW OR IN ROW MIDDLES.
- **PROVIDES UNIFORM DISTRIBUTION THROUGHOUT THE FLAT SPRAY PATTERN.
- **EASILY MOUNTED ON SPRAY BOOM OR PLANTER.

DG TEEJET DRIFT GUARD \$10.96 D

BAND WIDTH	HEIGHT	GPA CONVERSION FACTOR 30"
8"	4"	3.8
10"	5"	3.0
12"	5"	2.5
15"	7"	2.0
18"	8"	1.7



TO FIND GPA RATE ON BAND WIDTHS, MULTIPLY THE TABULATED GPA FOR ROW SPACING BY CONVERSION FACTORS.

	PSI	GPM	OZ/ MIN.	GPA FOR 30" SPACING					
				3 mph	4 mph	5 mph	6 mph	7 mph	8 mph
DG95015EVS	30	0.13	17	8.6	6.4	5.1	4.3	3.7	3.2
	40	0.15	19	9.9	7.4	5.9	5.0	4.2	3.7
	50	0.17	22	11.2	8.4	6.7	5.6	4.8	4.2
	60	0.18	23	11.9	8.9	7.1	5.9	5.1	4.5
DG9502EVS	30	0.17	22	11.2	8.4	6.7	5.6	4.8	4.2
	40	0.2	26	13.2	9.9	7.9	6.6	5.7	5.0
	50	0.22	28	14.5	10.9	8.7	7.3	6.2	5.4
	60	0.24	31	15.8	11.9	9.5	7.9	6.8	5.9
DG9503EVS	30	0.26	33	17.2	12.9	10.3	8.6	7.4	6.4
	40	0.3	38	19.8	14.9	11.9	9.9	8.5	7.4
	50	0.34	44	22	16.8	13.5	11.2	9.6	8.4
	60	0.37	47	24	18.3	14.7	12.2	10.5	9.2
DG9504EVS	30	0.35	45	23	17.3	13.9	11.6	9.9	8.7
	40	0.4	51	26	19.8	15.8	13.2	11.3	9.9
	50	0.45	58	30	22	17.8	14.9	12.7	11.1
	60	0.49	63	32	24	19.4	16.2	13.9	12.1
DG9505EVS	30	0.43	55	28	21	17.0	14.2	12.2	10.6
	40	0.5	64	33	25	19.8	16.5	14.1	12.4
	50	0.56	72	37	28	22	18.5	15.8	13.9
	60	0.61	78	40	30	24	20	17.3	15.1

AIR INDUCTION EVEN FLAT SPRAY TIP

****Always verify tips or orifices you received are the size which you require before using with chemical.
Chemical rates need to be obtained from your chemical dealer.****

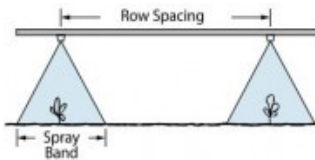


FEATURES:

- *POLYMER INSERT HOLDER AND PRE-ORIFICE WITH VISIFLO COLOR-CODING.
- *LARGER DROPLETS FOR LESS DRIFT.
- *DEPENDING ON THE CHEMICAL, PRODUCES LARGE AIR-FILLED DROPS THROUGH THE USE OF A VENTURI AIR ASPIRATOR.

BAND	HEIGHT	GPA CONVERSION
WIDTH	95°	FACTOR 30"
8"	4"	3.8
10"	5"	3.0
12"	5"	2.5
15"	7"	2.0
18"	8"	1.7

AI TEEJET EVEN \$15.50 D



TO FIND GPA RATE ON BAND WIDTHS, MULTIPLY THE TABULATED GPA FOR ROW SPACING BY CONVERSION FACTORS.

	PSI	1 NOZZLE GPM	1 NOZZLE OZ/ MIN.	GPA FOR 30" SPACING							
				4 mph	6 mph	8 mph	10 mph	12 mph	14 mph	16 mph	18 mph
AI95015EVS GREEN	30	0.13	17	6.4	4.3	3.2	2.6	2.1	1.8	1.6	1.4
	40	0.15	19	7.4	5.0	3.7	3.0	2.5	2.1	1.9	1.7
	50	0.17	22	8.4	5.6	4.2	3.4	2.8	2.4	2.1	1.9
	60	0.18	23	8.9	5.9	4.5	3.6	3.0	2.5	2.2	2.0
	70	0.20	26	9.9	6.6	5.0	4.0	3.3	2.8	2.5	2.2
	80	0.21	27	10.4	6.9	5.2	4.2	3.5	3.0	2.6	2.3
	90	0.23	29	11.4	7.6	5.7	4.6	3.8	3.3	2.8	2.5
100	0.24	31	11.9	7.9	5.9	4.8	4.0	3.4	3.0	2.6	
AI9502EVS YELLOW	30	0.17	22	8.4	5.6	4.2	3.4	2.8	2.4	2.1	1.9
	40	0.20	26	9.9	6.6	5.0	4.0	3.3	2.8	2.5	2.2
	50	0.22	28	10.9	7.3	5.4	4.4	3.6	3.1	2.7	2.4
	60	0.24	31	11.9	7.9	5.9	4.8	4.0	3.4	3.0	2.6
	70	0.26	33	12.9	8.6	6.4	5.1	4.3	3.7	3.2	2.9
	80	0.28	36	13.9	9.2	6.9	5.5	4.6	4.0	3.5	3.1
	90	0.30	38	14.9	9.9	7.4	5.9	5.0	4.2	3.7	3.3
100	0.32	41	15.8	10.6	7.9	6.3	5.3	4.5	4.0	3.5	
AI95025EVS TEAL	30	0.22	28	10.9	7.3	5.4	4.4	3.6	3.1	2.7	2.4
	40	0.25	32	12.4	8.3	6.2	5.0	4.1	3.5	3.1	2.8
	50	0.28	36	13.9	9.2	6.9	5.5	4.6	4.0	3.5	3.1
	60	0.31	40	15.3	10.2	7.7	6.1	5.1	4.4	3.8	3.4
	70	0.33	42	16.3	10.9	8.2	6.5	5.4	4.7	4.1	3.6
	80	0.35	45	17.3	11.6	8.7	6.9	5.8	5.0	4.3	3.9
	90	0.38	49	18.8	12.5	9.4	7.5	6.3	5.4	4.7	4.2
100	0.40	51	19.8	13.2	9.9	7.9	6.6	5.7	5.0	4.4	
AI9503EVS BLUE	30	0.26	33	12.9	8.6	6.4	5.1	4.3	3.7	3.2	2.9
	40	0.30	38	14.9	9.9	7.4	5.9	5	4.2	3.7	3.3
	50	0.34	44	16.8	11.2	8.4	6.7	5.6	4.8	4.2	3.7
	60	0.37	47	18.3	12.2	9.2	7.3	6.1	5.2	4.6	4.1
	70	0.40	51	19.8	13.2	9.9	7.9	6.6	5.7	5.0	4.4
	80	0.42	54	21	13.9	10.4	8.3	6.9	5.9	5.2	4.6
	90	0.45	58	22	14.9	11.1	8.9	7.4	6.4	5.6	5.0
100	0.47	60	23	15.5	11.6	9.3	7.8	6.6	5.8	5.2	
AI9504EVS RED	30	0.35	45	17.3	11.6	8.7	6.9	5.8	5.0	4.3	3.9
	40	0.40	51	19.8	13.2	9.9	7.9	6.6	5.7	5.0	4.4
	50	0.45	58	22	14.9	11.1	8.9	7.4	6.4	5.6	5.0
	60	0.49	63	24	16.2	12.1	9.7	8.1	6.9	6.1	5.4
	70	0.53	68	26	17.5	13.1	10.5	8.7	7.5	6.6	5.8
	80	0.57	73	28	18.8	14.1	11.3	9.4	8.1	7.1	6.3
	90	0.60	77	30	19.8	14.9	11.9	9.9	8.5	7.4	6.6
100	0.63	81	31	21	15.6	12.5	10.4	8.9	7.8	6.9	
AI9504EVS BROWN	30	0.43	55	21	14.2	10.6	8.5	7.1	6.1	5.3	4.7
	40	0.50	64	25	16.5	12.4	9.9	8.3	7.1	6.2	5.5
	50	0.56	72	28	18.5	13.9	11.1	9.2	7.9	6.9	6.2
	60	0.61	78	30	20	15.1	12.1	10.1	8.6	7.5	6.7
	70	0.66	84	33	22	16.3	13.1	10.9	9.3	8.2	7.3
	80	0.71	91	35	23	17.6	14.1	11.7	10.0	8.8	7.8
	90	0.75	96	37	25	18.6	14.9	12.4	10.6	9.3	8.3
100	0.79	101	39	26	19.6	15.6	13.0	11.2	9.8	8.7	

TWINJET EVEN FLAT SPRAY TIP



****Always verify tips or orifices you received are the size which you require before using with chemical
Chemical rates need to be obtained from your chemical dealer.****

TWINJET EVEN FLAT \$19.19 D

FEATURES:

IDEAL FOR BANDING OVER OR BETWEEN CROP ROWS.

PROVIDES UNIFORM DISTRIBUTION THROUGHOUT THE SPRAY PATTERN.

AVAILABLE IN 80 AND 40 DEGREE TWIN FLAT SPRAY PATTERN.



	SPRAY HEIGHT BY		GPA
BAND	NOZZLE DEGREE		CONVERSION
WIDTH	40°	80°	30"
8"	11"	5"	3.8
10"	14"	6"	3.0
12"	16"	7"	2.5
15"	21"	9"	2.0

40 AND 80 DEGREE E SERIES

TwinJet even tips combine the advantages of twin flat spray patterns with even distribution across the pattern. The twin flat sprays provide improved coverage of crop or weed without sacrificing uniformity. The small droplet size makes this tip ideal for providing a through, penetrating coverage with post-emergence contact herbicides.

TO FIND GPA RATE ON BAND WIDTHS, MULTIPLY THE TABULATED GPA FOR ROW SPACING BY CONVERSION FACTORS.

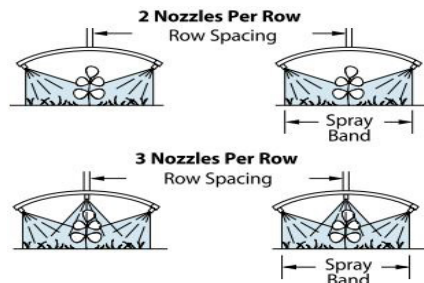
	PSI	1	1	GPA FOR 30" SPACING					
		NOZZLE	NOZZLE	3	4	5	6	7	8
		GPM	OZ/ MIN.	mph	mph	mph	mph	mph	mph
TJ60-4002EVS TJ60-8002EVS	20	0.1	18	9.2	6.9	5.5	4.6	4.0	3.5
	30	0.2	22	11.2	8.4	6.7	5.6	4.8	4.2
	40	0.2	26	13.2	9.9	7.9	6.6	5.7	5.0
	50	0.2	28	14.5	10.9	8.7	7.3	6.2	5.4
TJ60-4003EVS TJ60-8003EVS	20	0.2	27	13.9	10.4	8.3	6.9	5.9	5.2
	30	0.3	33	17.2	12.9	10.3	8.6	7.4	6.4
	40	0.3	38	19.8	14.9	11.9	9.9	8.5	7.4
	50	0.3	44	22	16.8	13.5	11.2	9.6	8.4
TJ60-4004EVS TJ60-8004EVS	20	0.3	36	18.5	13.9	11.1	9.2	7.9	6.9
	30	0.4	45	23	17.3	13.9	11.6	9.9	8.7
	40	0.4	51	26	19.8	15.8	13.2	11.3	9.9
	50	0.5	58	30	22	17.8	14.9	12.7	11.1
TJ60-8006EVS	20	0.4	54	28	21	16.6	13.9	11.9	10.4
	30	0.5	67	34	26	21	17.2	14.7	12.9
	40	0.6	77	40	30	24	19.8	17.0	14.9
	50	0.7	86	44	33	27	22	19.0	16.6

CONEJET VISIFLO

HOLLOW CONE SPRAY TIP

**Always verify tips or orifices you received are the size which you require before using with chemical.
Chemical rates need to be obtained from your chemical dealer.**

MATERIAL		
CODE	DESCRIPTION	PRICE
TX-VSX	VISIFLO SS	7.49 D
TX-X	BRASS	6.68 D
TX-SSX	STAINLESS	41.87 D
TX-VKX	CERAMIC	6.77 D



FEATURES:

VISIFLO SS OR CERAMIC ORIFICE IN POLY BODY.

SPRAY ANGLE 80 DEGREE.

MAX PRESSURE 300PSI.

IDEAL ROW BANDING WITH 2 OR 3 NOZZLES.

BAND WIDTH	GPA CONVERSION
8"	3.8
10"	3.0
12"	2.5
15"	2.0
18"	1.7

TO FIND GPA RATE ON BAND WIDTHS, MULTIPLY THE TABULATED GPA FOR ROW SPACING BY CONVERSION FACTORS.

	PSI	2		3					PSI	3		4				
		NOZZLE GPM	NOZZLE OZ/MIN.	3 mph	4 mph	5 mph	6 mph	7 mph		NOZZLE GPM	NOZZLE OZ/MIN.	3 mph	4 mph	5 mph	6 mph	7 mph
TX-SS1	40	0.033	4.2	2.2	1.6	1.3	1.1	0.93	40	0.050	6.4	3.3	2.5	2.0	1.7	1.4
	60	0.039	5.0	2.6	1.9	1.5	1.3	1.1	60	0.059	7.6	3.9	2.9	2.3	1.9	1.7
	75	0.043	5.5	2.8	2.1	1.7	1.4	1.2	75	0.065	8.3	4.3	3.2	2.6	2.1	1.8
	90	0.047	6.0	3.1	2.3	1.9	1.6	1.3	90	0.070	9.0	4.6	3.5	2.8	2.3	2.0
	120	0.053	6.8	3.5	2.6	2.1	1.7	1.5	120	0.079	10	5.2	3.9	3.1	2.6	2.2
TX-SS2	40	0.067	8.6	4.4	3.3	2.7	2.2	1.9	40	0.100	13	6.6	5.0	4.0	3.3	2.8
	60	0.080	10	5.3	4.0	3.2	2.6	2.3	60	0.12	15	7.9	5.9	4.8	4.0	3.4
	75	0.088	11	5.8	4.4	3.5	2.9	2.5	75	0.13	17	8.6	6.4	5.1	4.3	3.7
	90	0.095	12	6.3	4.7	3.8	3.1	2.7	90	0.14	18	9.2	6.9	5.5	4.6	4.0
	120	0.11	14	7.3	5.4	4.4	3.6	3.1	120	0.16	20	10.6	7.9	6.3	5.3	4.5
TX-SS3	40	0.10	13	6.6	5.0	4.0	3.3	2.8	40	0.15	19	9.9	7.4	5.9	5.0	4.2
	60	0.12	15	7.9	5.9	4.8	4.0	3.4	60	0.18	23	11.9	8.9	7.1	5.9	5.1
TX-VS3 YELLOW	75	0.13	17	8.6	6.4	5.1	4.3	3.7	75	0.20	26	13.2	9.9	7.9	6.6	5.7
	90	0.14	18	9.2	6.9	5.5	4.6	4.0	90	0.21	27	13.9	10.4	8.3	6.9	5.9
	120	0.16	20	10.6	7.9	6.3	5.3	4.5	120	0.24	31	15.8	11.9	9.5	7.9	6.8
		40	0.13	17	8.6	6.4	5.1	4.3	3.7	40	0.20	26	13.2	9.9	7.9	6.6
TX-VS4 GREEN	60	0.16	20	10.6	7.9	6.3	5.3	4.5	60	0.24	31	15.8	11.9	9.5	7.9	6.8
	75	0.18	23	11.9	8.9	7.1	5.9	5.1	75	0.27	35	17.8	13.4	10.7	8.9	7.6
	90	0.19	24	12.5	9.4	7.5	6.3	5.4	90	0.29	37	19.1	14.4	11.5	9.6	8.2
	120	0.22	28	14.5	10.9	8.7	7.3	6.2	120	0.33	42	22	16.3	13.1	10.9	9.3
		40	0.20	26	13.2	9.9	7.9	6.6	5.7	40	0.30	38	19.8	14.9	11.9	9.9
TX-VS6 RED	60	0.24	31	15.8	11.9	9.5	7.9	6.8	60	0.36	46	24	17.8	14.3	11.9	10.2
	75	0.27	35	17.8	13.4	10.7	8.9	7.6	75	0.40	51	26	19.8	15.8	13.2	11.3
	90	0.29	37	19.1	14.4	11.5	9.6	8.2	90	0.43	55	28	21	17.0	14.2	12.1
	120	0.33	42	22	16.3	13.1	10.9	9.3	120	0.50	64	33	25	19.8	16.5	14.1
		40	0.27	35	17.8	13.4	10.7	8.9	7.6	40	0.40	51	26	19.8	15.8	13.2
TX-SS8	60	0.32	41	21	15.8	12.7	10.6	9.1	60	0.49	63	32	24	19.4	16.2	13.9
	75	0.36	46	24	17.8	14.3	11.9	10.2	75	0.54	69	36	27	21	17.8	15.3
	90	0.39	50	26	19.3	15.4	12.9	11.0	90	0.59	76	39	29	23	19.5	16.7
	120	0.45	58	30	22	17.8	14.9	12.7	120	0.68	87	45	34	27	22	19.2
		40	0.33	42	22	16.3	13.1	10.9	9.3	40	0.50	64	33	25	19.8	16.5
TX-VS10 BLACK	60	0.40	51	26	19.8	15.8	13.2	11.3	60	0.61	78	40	30	24	20	17.3
	75	0.45	58	30	22	17.8	14.9	12.7	75	0.68	87	45	34	27	22	19.2
	90	0.49	63	32	24	19.4	16.2	13.9	90	0.74	95	49	37	29	24	21
	120	0.56	72	37	28	22	18.5	15.8	120	0.85	109	56	42	34	28	24
		40	0.40	51	26	19.8	15.8	13.2	11.3	40	0.60	77	40	30	24	19.8
TX-VS12 BROWN	60	0.49	63	32	24	19.4	16.2	13.9	60	0.73	93	48	36	29	24	21
	75	0.54	69	36	27	21	17.8	15.3	75	0.81	104	53	40	32	27	23
	90	0.59	76	39	29	23	19.5	16.7	90	0.88	113	58	44	35	29	25
	120	0.68	87	45	34	27	22	19.2	120	1.01	129	67	50	40	33	29
		40	0.60	77	40	30	24	19.8	17.0	40	0.90	115	59	45	36	30
TX-SS18	60	0.73	93	48	36	29	24	21	60	1.10	141	73	54	44	36	31
	75	0.82	105	54	41	32	27	23	75	1.23	157	81	61	49	41	35
	90	0.90	115	59	45	36	30	25	90	1.35	173	89	67	53	45	38
	120	1.03	132	68	51	41	34	29	120	1.55	198	102	77	61	51	44
		40	0.87	111	57	43	34	29	25	40	1.30	166	86	64	51	43
TX-VS26 BLUE	60	1.06	136	70	52	42	35	30	60	1.59	204	105	79	63	52	45
	75	1.18	151	78	58	47	39	33	75	1.78	228	117	88	70	59	50
	90	1.30	166	86	64	51	43	37	90	1.94	248	128	96	77	64	55
	120	1.49	191	98	74	59	49	42	120	2.24	287	148	111	89	74	63

FULL CONE & UNDERLEAF BANDING SPRAY TIP



TG-1 THRU TG-8
\$10.31 D

3 NOZZLES PER ROW



Three Nozzles
Per Row Spacing

PROVIDES COARSE SPRAY
WITH FULL CONE PATTERN.
USED FREQUENTLY FOR
TOBACCO PLANT SUCKER
CONTROL.

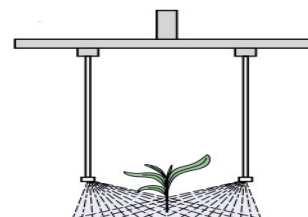
	PSI	GPM	1 NOZZLE OZ/MIN.	GPA 48" SPACING (THREE NOZZLES PER ROW)			
				2 mph	3 mph	4 mph	5 mph
TG-1	20	0.14	18	26	17.3	13.0	10.4
	30	0.16	20	30	19.8	14.9	11.9
	40	0.19	24	35	24	17.6	14.1
	60	0.23	29	43	28	21	17.1
TG-2	20	0.28	36	52	35	26	21
	30	0.33	42	61	41	31	25
	40	0.38	49	71	47	35	28
	60	0.46	59	85	57	43	34
TG-3	20	0.41	52	76	51	38	30
	30	0.50	64	93	62	46	37
	40	0.57	73	106	71	53	42
	60	0.68	87	126	84	63	50
TG-4	20	0.55	70	102	68	51	41
	30	0.66	84	123	82	61	49
	40	0.76	97	141	94	71	56
	60	0.91	116	169	113	84	68
TG-5	20	0.69	88	128	85	64	51
	30	0.84	108	156	104	78	62
	40	1.00	128	186	124	93	74
	60	1.16	148	215	144	108	86
TG-6	20	0.82	105	152	101	76	61
	30	0.99	127	184	123	92	74
	40	1.14	146	212	141	106	85
	60	1.37	175	254	170	127	102
TG-8	20	1.10	141	204	136	102	82
	30	1.33	170	247	165	123	99
	40	1.51	193	280	187	140	112
	60	1.82	233	338	225	169	135

UB-UNDERLEAF BANDING SPRAY TIPS

UB-UNDERLEAF TIPS	PRICE
STAINLESS	32.00 D
BRASS	16.83 D



2 NOZZLES PER ROW



OFF CENTER TIP WITH
TAPERED FLAT SPRAY
CHARACTERISTICS.
85 DEGREE SPRAY ANGLE.
IN BRASS OR STAINLESS.
OPERATING PRESSURE IS
20 TO 60 PSI.

DIRECTED APPLICATION
UNDER CROP CANOPY.
NOZZLE SPACING 10"-2
TIPS PER ROW. ADJUST TIP
HEIGHT AND NOZZLE
ORIENTATION TO ACHIEVE
DESIRED BAND WIDTH.

	PSI	2								
		NOZZLE GPM	NOZZLE OZ/MIN.	2 mph	3 mph	4 mph	5 mph	6 mph	7 mph	
D25143- UB 850075	20	0.11	14	10.9	7.3	5.4	4.4	3.6	3.1	
	30	0.13	17	12.9	8.6	6.4	5.1	4.3	3.7	
	40	0.15	19	14.9	9.9	7.4	5.9	5.0	4.2	
	50	0.17	22	16.9	11.2	8.4	6.7	5.6	4.8	
D25143- UB 8501	20	0.14	18	13.9	9.2	6.9	5.5	4.6	4	
	30	0.17	22	16.8	11.2	8.4	6.7	5.6	4.8	
	40	0.20	26	19.8	13.2	9.9	7.9	6.6	5.7	
	50	0.22	28	22	14.5	10.9	8.7	7.3	6.2	
D25143- UB 85015	20	0.21	27	21	13.9	10.4	8.3	6.9	5.9	
	30	0.26	33	26	17.2	12.9	10.3	8.6	7.4	
	40	0.30	38	30	19.8	14.9	11.9	9.9	8.5	
	50	0.34	44	34	22	16.8	13.5	11.2	9.6	
D25143- UB 8502	20	0.28	36	28	18.5	13.9	11.1	9.2	7.9	
	30	0.35	45	35	23	17.3	13.9	11.6	9.9	
	40	0.40	51	40	26	19.8	15.8	13.2	11.3	
	50	0.45	58	45	30	22	17.8	14.9	12.7	
D25143- UB 8503	20	0.42	54	42	28	21	16.6	13.9	11.9	
	30	0.52	67	51	34	26	21	17.2	14.7	
	40	0.60	77	59	40	30	24	19.8	17.0	
	50	0.67	86	66	44	33	27	22	19.0	
D25143- UB 8504	20	0.57	73	56	38	28	23	18.8	16.1	
	30	0.69	88	68	46	34	27	23	19.5	
	40	0.80	102	79	53	40	32	26	23	
	50	0.89	114	88	59	44	35	29	25	
	60	0.98	125	97	65	49	39	32	28	

FLOW REGULATORS

****Always verify tips or orifices you received are the size which you require before using with chemical.
Chemical rates need to be obtained from your chemical dealer.****

FLOW REGULATORS ARE USUALLY MOUNTED BEHIND CULTIVATOR SHANKS FOR THE SUBSURFACE APPLICATION OF LIQUID FERTILIZERS AND SOIL FUMIGANTS. THEY ARE ALSO USED FOR ABOVE-GROUND STREAMING APPLICATIONS.



NOTE: Always insert Orifice Plate with side marked with number facing the outlet.

ORIFICE PLATES - CP4916-8 THRU CP4916-250 \$3.60 D

TO DETERMINE THE ORIFICE PLATE NEEDED USE THE FOLLOWING EQUATION:

- W = Nozzle spacing (in inches) for broadcast spraying.
- = Spray width (in inches) for single nozzle, band spraying or boomless spraying.
- = Row spacing (in inches) divided by the number of nozzles per row for directed spraying.

ORIFICE PLATE	GPM			
	5 PSI	10 PSI	20 PSI	30 PSI
CP4916-8	0.003	0.004	0.006	0.007
CP4916-10	0.005	0.006	0.009	0.011
CP4916-12	0.007	0.009	0.013	0.016
CP4916-14	0.009	0.013	0.018	0.022
CP4916-15	0.010	0.014	0.020	0.025
CP4916-16	0.012	0.016	0.023	0.028
CP4619-18	0.015	0.021	0.030	0.036
CP4916-20	0.018	0.026	0.037	0.045
CP4916-22	0.022	0.031	0.043	0.053
CP4916-24	0.026	0.037	0.052	0.064
CP4916-25	0.028	0.040	0.056	0.068
CP4916-26	0.030	0.043	0.060	0.074
CP4916-27	0.032	0.045	0.064	0.078
CP4916-28	0.035	0.049	0.069	0.085
CP4916-29	0.038	0.054	0.076	0.093
CP4916-30	0.040	0.057	0.081	0.099
CP4916-31	0.043	0.061	0.087	0.106
CP4916-32	0.048	0.067	0.095	0.116
CP4916-34	0.052	0.074	0.104	0.127
CP4916-35	0.056	0.079	0.111	0.136
CP4916-37	0.061	0.086	0.121	0.149
CP4916-39	0.067	0.095	0.135	0.165
CP4916-40	0.072	0.102	0.144	0.177
CP4916-41	0.074	0.105	0.149	0.182
CP4916-43	0.081	0.115	0.163	0.200
CP4916-45	0.088	0.125	0.176	0.216
CP4916-46	0.095	0.135	0.191	0.233

ORIFICE PLATE	GPM			
	5 PSI	10 PSI	20 PSI	30PSI
CP4916-47	0.097	0.137	0.194	0.238
CP4916-48	0.101	0.143	0.202	0.247
CP4916-49	0.104	0.147	0.208	0.026
CP4916-51	0.116	0.164	0.232	0.284
CP4916-52	0.118	0.167	0.237	0.290
CP4916-54	0.127	0.180	0.255	0.312
CP4916-55	0.133	0.188	0.266	0.326
CP4916-57	0.141	0.200	0.283	0.346
CP4916-59	0.152	0.215	0.304	0.372
CP4916-61	0.166	0.233	0.330	0.404
CP4916-63	0.174	0.246	0.347	0.425
CP4916-65	0.185	0.261	0.369	0.452
CP4916-67	0.196	0.278	0.392	0.481
CP4916-68	0.203	0.287	0.405	0.496
CP4916-70	0.216	0.306	0.433	0.530
CP4916-72	0.226	0.320	0.453	0.554
CP4916-73	0.233	0.330	0.467	0.572
CP4916-75	0.245	0.347	0.491	0.601
CP4916-78	0.272	0.385	0.544	0.667
CP4916-80	0.280	0.397	0.561	0.687
CP4916-81	0.290	0.411	0.581	0.711
CP4916-83	0.317	0.449	0.634	0.777
CP4916-86	0.332	0.470	0.664	0.813
CP4916-89	0.346	0.490	0.693	0.849
CP4916-91	0.369	0.523	0.739	0.905
CP4916-93	0.387	0.547	0.774	0.947
CP4916-95	0.404	0.572	0.808	0.990

ORIFICE PLATE	GPM			
	5 PSI	10 PSI	20 PSI	30 PSI
CP4916-98	0.442	0.625	0.884	1.08
CP4916-103	0.461	0.653	0.923	1.13
CP4916-107	0.518	0.733	1.04	1.27
CP4916-110	0.548	0.775	1.10	1.34
CP4916-115	0.605	0.855	1.21	1.48
CP4916-120	0.629	0.890	1.26	1.54
CP4916-125	0.693	0.980	1.39	1.70
CP4916-128	0.721	1.02	1.44	1.77
CP4916-132	0.774	1.10	1.55	1.90
CP4916-136	0.840	1.19	1.68	2.06
CP4916-140	0.894	1.27	1.79	2.19
CP4916-144	0.926	1.31	1.85	2.27
CP4916-147	0.953	1.35	1.91	2.33
CP4916-151	1.04	1.47	2.08	2.55
CP4916-156	1.10	1.55	2.20	2.69
CP4916-161	1.15	1.63	2.31	2.83
CP4916-166	1.21	1.72	2.43	2.97
CP4916-170	1.30	1.84	2.61	3.19
CP4916-172	1.36	1.92	2.71	3.32
CP4916-177	1.41	2.00	2.83	3.46
CP4916-182	1.47	2.08	2.95	3.61
CP4916-187	1.56	2.21	3.12	3.82
CP4916-196	1.73	2.45	3.46	4.24
CP4916-205	1.88	2.65	3.75	4.59
CP4916-218	2.11	2.98	4.21	5.16
CP4916-234	2.45	3.47	4.91	6.01
CP4916-250	2.83	4.00	5.66	6.93

QUICK TEEJET NOZZLE BODIES FOR DRY BOOM



QJ360 NOZZLE BODY SERIES

- AVAILABLE WITH EITHER 3, 4 OR 5 POSITIONS FOR EASY CHANGE OF SPRAY TIPS OR QUICK BOOM FLUSHING.
- MAXIMUM OPERATING PRESSURE FOR 300PSI (20 BARS).
- POSITIVE SHUTOFF BETWEEN EACH SPRAY POSITION.
- AVAILABLE IN 1/2", 3/4" OR 1" SINGLE OR DOUBLE HOSE SHANKS.
- INCLUDES CHEMSAVER DIAPHRAGM CHECK VALVE FOR DRIP FREE SHUTOFF.
- DURABLE DESIGN MOUNTS BODY HIGH ON BOOM STRUCTURE FOR MAXIMUM PROTECTION.
- STANDARD EPDM DIAPHRAGM WITH VITON AVAILABLE AS AN OPTION.



QJ363C

PART#		NUMBER OF OUTLETS	TO FIT HOSE ID	PRICE
SINGLE	DOUBLE			
QJ363C-500-1-NYB	QJ363C-500-2-NYB	3	1/2"	24.55 D
QJ363C-750-1-NYB	QJ363C-750-2-NYB	3	3/4"	24.55 D
QJ363C-1000-1-NYB	QJ363C-1000-2-NYB	3	1"	24.55 D



QJ364C

PART#		NUMBER OF OUTLETS	TO FIT HOSE ID	PRICE
SINGLE	DOUBLE			
QJ364C-500-1-NYB	QJ364C-500-2-NYB	4	1/2"	24.55 D
QJ364C-750-1-NYB	QJ364C-750-2-NYB	4	3/4"	24.55 D
QJ364C-1000-1-NYB	QJ364C-1000-2-NYB	4	1"	24.55 D



QJ365C

PART#		NUMBER OF OUTLETS	TO FIT HOSE ID	PRICE
SINGLE	DOUBLE			
QJ365C-500-1-NYB	QJ365C-500-2-NYB	5	1/2"	24.55 D
QJ365C-750-1-NYB	QJ365C-750-2-NYB	5	3/4"	24.55 D
QJ365C-1000-1-NYB	QJ365C-1000-2-NYB	5	1"	24.55 D

TRIPLE NOZZLE BODY FOR DRY BOOM



- * PROVIDES 3 POSITIONS FOR EASY CHANGE OF SPRAY TIPS OR QUICK BOOM FLUSHING.
- * MAXIMUM OPERATING PRESSURE OF 125PSI (9 BAR).
- * POSITIVE SHUTOFF BETWEEN EACH SPRAY POSITION.
- * AVAILABLE IN 1/2" & 3/4" SINGLE OR DOUBLE HOSE SHANKS.
- * INCLUDES CHEMSAVER DIAPHRAGM CHECK VALVE FOR DRIP FREE SHUTOFF.
- * CAN BE USED WITH ALL QUICK TEEJET CAPS.
- * STANDARD EPDM DIAPHRAGM WITH VITON AVAILABLE AS AN OPTION.

PART#		TO FIT HOSE ID	PRICE
SINGLE	DOUBLE		
24230A-1-540-NYB	24230A-2-540-NYB	1/2"	27.03 D
24230A-1-785-NYB	24230A-2-785-NYB	3/4"	27.03 D

QUICK TEEJET NOZZLE BODIES FOR DRY BOOM



QJ100 SERIES
QUICK TEEJET NOZZLE ASSEMBLIES

Hose barb size to fit 3/8", 1/2" & 3/4" hose.
Available in single, double & triple hose shanks.
Maximum operating pressure 125psi (9 bar).

PART# SINGLE	HOSE ID	PRICE
18635-111-406-NYB	3/8"	5.10 D
18638-111-540-NYB	1/2"	5.10 D
18719-111-785-NYB	3/4"	5.10 D

PART# DOUBLE	HOSE ID	PRICE
18636-112-406-NYB	3/8"	5.10 D
18639-112-540-NYB	1/2"	5.10 D
18720-112-785-NYB	3/4"	5.10 D

PART# TRIPLE	HOSE ID	PRICE
18637-113-406-NYB	3/8"	5.10 D
18640-113-540-NYB	1/2"	5.10 D
18721-113-785-NYB	3/4"	5.10 D



QJ200 SERIES
DIAPHRAGM CHECK VALVE
QUICK TEEJET NOZZLE ASSEMBLIES

Drip-free shutoff. Opening pressure 10psi.
Standard diaphragm EPDM, Viton available.
Maximum operating pressure 125psi (9 bar).
Hose barb sizes to fit 3/8", 1/2" & 3/4" hose.
Available in single, double & triple hose shanks.

PART# SINGLE	HOSE ID	PRICE
19349-211-406-NYB	3/8"	12.58 D
19349-211-540-NYB	1/2"	12.58 D
19349-211-785-NYB	3/4"	12.58 D

PART# DOUBLE	HOSE ID	PRICE
19350-212-406-NYB	3/8"	12.58 D
19350-212-540-NYB	1/2"	12.58 D
19350-212-785-NYB	3/4"	12.58 D

PART# TRIPLE	HOSE ID	PRICE
19351-213-406-NYB	3/8"	12.58 D
19351-213-540-NYB	1/2"	12.58 D
19351-213-785-NYB	3/4"	12.58 D



QJ300 SERIES
DIAPHRAGM CHECK VALVE
QUICK TEEJET NOZZLE ASSEMBLIES

Low profile design allows maximum protection against damage.
Available in single and double hose shanks.
Hose barb sizes to fit 3/8", 1/2" & 3/4" hose.
Drip-free shutoff. Opening pressure 10psi.
Standard diaphragm EPDM, Viton available.
Maximum operating pressure 300psi (20 bar).

PART# SINGLE	HOSE ID	PRICE
22251-311-375-NYB	3/8"	10.40 D
22251-311-500-NYB	1/2"	10.40 D
22251-311-750-NYB	3/4"	10.40 D

PART# DOUBLE	HOSE ID	PRICE
22252-312-375-NYB	3/8"	10.40 D
22252-312-500-NYB	1/2"	10.40 D
22252-312-750-NYB	3/4"	10.40 D

QJ39685 SERIES QUICK TEEJET NOZZLE BODIES

FEATURES:

- USE WITH QUICK TEEJET CAPS
- HOSE SHANKS AVAILABLE IN SINGLE (LEFT OR RIGHT) & DOUBLE FOR 1/2" HOSE ID.
- DRIP-FREE SHUTOFF.
- MAXIMUM OPERATING PRESSURE 300psi.

PART#	DESCRIPTION	PRICE
QJ39685-1L-500-NYB	SINGLE LEFT	8.53 D
QJ39685-1R-500-NYB	SINGLE RIGHT	8.53 D
QJ39685 2-500-NYB	DOUBLE	8.53 D



QUICK TEEJET NOZZLE BODIES FOR WET BOOMS



QJ360 NOZZLE BODY SERIES

- AVAILABLE WITH EITHER 3, 4 OR 5 POSITIONS FOR EASY CHANGE OF SPRAY TIPS OR QUICK BOOM FLUSHING.
- MAXIMUM OPERATING PRESSURE OF 300PSI (20 BAR).
- POSITIVE SHUTOFF BETWEEN EACH SPRAY POSITION.
- AVAILABLE IN 1/2", 3/4" OR 1" PIPE CONNECTIONS.
- INCLUDES CHEMSAVER DIAPHRAGM CHECK VALVE FOR DRIP FREE SHUTOFF.
- STANDARD EPDM DIAPHRAGM WITH VITON AVAILABLE AS AN OPTION.

QJ363C



PART NUMBER	NUMBER OF OUTLETS	CLAMPS ON PIPE SIZE	PRICE
QJ363C-1/2-NYB	3	1/2"	19.65 D
QJ363C-3/4-NYB	3	3/4"	19.65 D
QJ363C-1-NYB	3	1"	19.65 D

QJ364C



PART NUMBER	NUMBER OF OUTLETS	CLAMPS ON PIPE SIZE	PRICE
QJ364C-1/2-NYB	4	1/2"	19.65 D
QJ364C-3/4-NYB	4	3/4"	19.65 D
QJ364C-1-NYB	4	1"	19.65 D

QJ365C



PART NUMBER	NUMBER OF OUTLETS	CLAMPS ON PIPE SIZE	PRICE
QJ365C-1/2-NYB	5	1/2"	19.65 D
QJ365C-3/4-NYB	5	3/4"	19.65 D
QJ365C-1-NYB	5	1"	19.65 D

RAPID STOP

- * New feature for QJ360C & QJ17560A
- * Evacuates air trapped in booms
- * Reduces boom shut-off times
- * Does NOT require boom redesign

PART#	DESCRIPTION	PRICE
CP98583-3-1-SS	QJ360C	10.95 D
CP98583-2-1-SS	QJ17560A	10.95 D

TYPE 24216 TRIPLE NOZZLE BODY

- PROVIDES 3 POSITIONS FOR EASY CHANGE OF SPRAY TIPS OR QUICK BOOM FLUSHING.
- MAXIMUM OPERATING PRESSURE OF 125PSI (9 BAR).
- POSITIVE SHUTOFF BETWEEN EACH SPRAY POSITION.
- AVAILABLE IN 1/2", 3/4" & 1" PIPE CONNECTIONS.
- INCLUDES CHEMSAVER DIAPHRAGM CHECK VALVE FOR DRIP-FREE SHUTOFF.
- CAN BE USED WITH ALL QUICK TEEJET CAPS.
- STANDARD EPDM DIAPHRAGM WITH VITON AVAILABLE AS AN OPTION.



24216

PART NUMBER	NUMBER OF OUTLETS	CLAMPS ON PIPE SIZE	PRICE
24216A-1/2-NYB	3	1/2"	14.38 D
24216A-3/4-NYB	3	3/4"	14.38 D
24216A-1-NYB	3	1"	14.38 D

QJ380 & QJ380F WET BOOM BODIES



QJ380 & QJ380F

Standard & Fertilizer (F) styles
 Triple outlet turrets
 3/4" and 1" wet boom sizes (wet only)
 Max operating pressure 150psi (10 bar)
Applications:
 High speed self-propelled machines
 High flow rate liquid fertilizer applications



PART#	NUMBER OF OUTLETS	CLAMPS ON PIPE SIZE	PRICE
QJ383-3/4-NYB	3	3/4"	38.88 D
QJ383-1-NYB	3	1"	38.88 D

PART#	NUMBER OF OUTLETS	CLAMPS ON PIPE SIZE	PRICE
QJ383F-3/4-NYB	3/F	3/4"	42.43 D
QJ383F-1-NYB	3/F	1"	42.43 D

RAPID STOP

- * New feature for QJ360C & QJ17560A
- * Evacuates air trapped in booms
- * Reduces boom shut-off times
- * Improves start up times
- * Does **NOT** require boom redesign
- * Install 1 or 2 Rapid Stops per boom section



PART#	DESCRIPTION	PRICE
CP98583-3-1-SS	QJ360C	10.95 D
CP98583-2-1-SS	QJ17560A	10.95 D

RETROFIT SEAL

Retrofit gasket for large hole booms
 - Replace JD factory supplied bodies
 - Fits existing booms with 11/16" holes
 Molded VITON material



PART# CP98488-VI \$8.33 D

POLYPROPYLENE SCHEDULE 80 PIPE

POLYPROPYLENE PIPE		
PART#	DESCRIPTION	PRICE
075-8-00P	3/4" no spacing	5.23 D
075-8-20P	3/4" w/20" spacing, 3/8" holes	5.23 D
100-8-00P	1" no spacing	8.37 D
100-8-20P	1" w/20" spacing, 3/8" holes	8.37 D



QUICK TEEJET NOZZLE BODIES & ACCESSORIES



TYPE QJ17560-NYB

	CLAMPS TO	
PART NUMBER	PIPE SIZE	PRICE
QJ17560A-1/2-NYB	1/2"	3.75 D
QJ17560A-3/4-NYB	3/4"	3.75 D
QJ17560A-1-NYB	1"	3.75 D

- CAN BE MOUNTED TO 1/2", 3/4" & 1" PIPE OR EQUIVALENT SIZE TUBING.
- 1/2" & 3/4" INCLUDE A MOUNTING HOLE IN CLAMP SUBASSEMBLY FOR MOUNTING TO FLAT SURFACE.
- ALLOWS SIDE MOUNTING TO FLAT SURFACE FOR PROTECTION OF NOZZLE BODY.
- FEATURES CHEMSAVER DRIP-FREE SHUTOFF.
- STANDARD EPDM DIAPHRAGM WITH OPTIONAL VITON AVAILABLE.
- MAXIMUM OPERATING PRESSURE OF 300psi (20 BAR).



TYPE QJ7421-NYB

	CLAMPS TO	
PART NUMBER	PIPE SIZE	PRICE
QJ7421-1/2-NYB	1/2"	5.13 D
QJ7421-3/4-NYB	3/4"	5.13 D
QJ7421-1-NYB	1"	5.13 D

- CAN BE MOUNTED TO 1/2", 3/4" & 1" PIPE OR EQUIVALENT SIZE TUBING.
- 1/2" & 3/4" INCLUDE A MOUNTING HOLE IN CLAMP SUBASSEMBLY FOR MOUNTING TO FLAT SURFACE.
- MAXIMUM OPERATING PRESSURE OF 300psi (20 BAR).



TYPE QJ22187-NYB

PART NUMBER	CLAMPS TO PIPE SIZE	PRICE
QJ22187-1/2-NYB	1/2"	12.85 D
QJ22187-3/4-NYB	3/4"	12.85 D
QJ22187-1-NYB	1"	12.85 D

- CAN BE MOUNTED TO 1/2", 3/4" & 1" PIPE OR EQUIVALENT SIZE TUBING.
- 1/2" & 3/4" INCLUDE A MOUNTING HOLE IN CLAMP SUBASSEMBLY FOR MOUNTING TO FLAT SURFACE.
- ALLOWS SIDE MOUNTING TO FLAT SURFACE FOR PROTECTION OF NOZZLE BODY.
- FEATURES CHEMSAVER DRIP-FREE SHUTOFF.
- STANDARD EPDM DIAPHRAGM WITH OPTIONAL VITON AVAILABLE.
- MAXIMUM OPERATING PRESSURE OF 300psi (20 BAR).

QJ8360-NYB, 300psi

ALLOWS HOOK-UP TO 1/4" FPT



PART#	TO FIT	PRICE
QJ8360-NYB	1/4" NPT	6.35 D

QJ8355-NYB, 300psi

ALLOWS SIDE MOUNT



PART#	TO FIT	PRICE
QJ8355-1/4-NYB	1/4" NPT	12.75 D
QJ8355-1/8-NYB	1/8" NPT	12.75 D

QJT8360-NYB, 300psi

FITS TEEJET THREAD



PART#	TO FIT	PRICE
QJT8360-NYB	11/16" - 16 TJ	6.93 D

QUICK TEEJET

PUSH TO CONNECT FITTINGS

Features and Benefits:

- * Available in both 1/4" and 3/8" tubing sizes
- * For use with linear, low-density, polyethylene tubing
- * Choice of body, cap, or body and cap combination
- * Bodies feature proven Quick TeeJet diaphragm check valve available with a choice of opening pressures
- * Allows flow shutoff to occur further downstream for improved fertilizer savings
- * Orifice plate can be easily installed between body and cap for precise flow regulation
- * Rugged nylon construction for reliability and excellent chemical resistance
- * Compact, inline design for mounting in a variety of locations
- * Integrated mounting lugs for easy installation using #10 or M5 screws or cable ties
- * Flow rate of 2.5 GPM at 5 PSI pressure drop, 3.18 GPM at 10 PSI pressure drop
- * Maximum pressure rating of 100 PSI



QUICK TEEJET PUSH TO CONNECT				
PART#	DESCRIPTION	OPENING PSI	HOSE OD	PRICE
QJ98595-1/4-2	PTC ASSEMBLY	2 PSI CHECK	1/4" OD HOSE	21.90 D
QJ98595-1/4-10	PTC ASSEMBLY	10 PSI CHECK	1/4" OD HOSE	21.90 D
QJ98594-3/8-2	PTC ASSEMBLY	2 PSI CHECK	3/8" OD HOSE	21.90 D
QJ98594-3/8-10	PTC ASSEMBLY	10 PSI CHECK	3/8" OD HOSE	21.90 D
QJ98592-1/4-2	PTC BODY	2 PSI CHECK	1/4" OD HOSE	14.80 D
QJ98592-1/4-10	PTC BODY	10 PSI CHECK	1/4" OD HOSE	14.80 D
QJ98590-3/8-2	PTC BODY	2 PSI CHECK	3/8" OD HOSE	14.80 D
QJ98590-3/8-10	PTC BODY	10 PSI CHECK	3/8" OD HOSE	14.80 D
QJ98588-1/4	PTC CAP	N/A	1/4" OD HOSE	7.15 D
QJ98586-3/8	PTC CAP	N/A	3/8" OD HOSE	7.15 D
QJ98598-90-1/4	90* CAP	N/A	1/4" OD HOSE	8.93 D
QJ98599-90-3/8	90* CAP	N/A	3/8" OD HOSE	8.93 D
CP18999-EPR	CAP GASKET	N/A	N/A	1.43 D

QUICK TEEJET ADAPTERS & CLAMPS



CP21953



CP4620-FA

CHEMSAVER END CAP

X=2#, 8#, 10#, 20#, 30#

PART#	DESCRIPTION	PRICE
21950-X-NYB	END CAP	4.60 D
CP21953-EPR	DIA EPDM	0.63 D
CP21953-VI	DIA VITON	1.90 D
CP4620-FA	DIA FAIRPRENE	0.63 D
CP98488-VI	RETRO SEAL	8.33 D
4200-0004E	HYPRO DIA EPDM	0.95 D
4200-0004V	HYPRO DIA VITON	3.15 D



QJ111 & QJ111SQ

PART#	TO FIT	PRICE
QJ111-1/2	1/2"	3.40 D
QJ111-3/4	3/4"	3.40 D
QJ111-1	1"	3.40 D
QJ111-11/4	1-1/4"	3.40 D

PART#	TO FIT	PRICE
QJ111SQ-34	3/4"	3.40 D
QJ111SQ-1	1"	3.40 D
QJ111SQ-114	1-1/4"	3.40 D
QJ111SQ-112	1-1/2"	3.40 D



AA111 & AA111SQ

PART#	TO FIT	PRICE
AA111-1/2	1/2"	5.78 D
AA111-3/4	3/4"	5.78 D
AA111-1	1"	5.78 D
AA111-11/4	1-1/4"	9.63 D

PART#	TO FIT	PRICE
AA111SQ-1	1"	6.63 D
AA111SQ-11/4	1-1/4"	9.95 D
AA111SQ-11/2	1-1/2"	11.83 D



QJ1/4T-NYB

ALLOWS USE OF QUICK TEEJET SYSTEM WITH 1/4" MALE CONNECTIONS. MAXIMUM OPERATING PRESSURE OF 300psi.

PART#	TO FIT	PRICE
QJ1/4T-NYB	1/4" FPT	3.50 D



QJT-NYB

ALLOWS USE OF TEEJET SYSTEM WITH STANDARD 11/16" - 16 TEEJET THREAD. MAXIMUM OPERATING PRESSURE OF 300psi.

PART#	TO FIT	PRICE
QJT-NYB	11/16" - 16 TJ	6.48 D



QJ1/4TT-NYB

ALLOWS USE OF QUICK TEEJET SYSTEM WITH 1/4" FEMALE CONNECTIONS. MAXIMUM OPERATING PRESSURE OF 300psi.

PART#	TO FIT	PRICE
QJ1/4TT-NYB	1/4" MPT	3.50 D



22674-1/4-NYB

ALLOWS USE OF QUICK TEEJET SYSTEM WITH 1/4" FEMALE CONNECTIONS.

PART#	TO FIT	PRICE
22674-1/4-NYB	1/4" MPT	3.50 D

NOZZLE BODY ASSEMBLIES



NOZZLE THREAD TEE		
PART#	HB SIZE	PRICE
NTT38	3/8"	1.97 D
NTT12	1/2"	2.02 D
NTT58	5/8"	2.17 D
NTT34	3/4"	2.17 D



NOZZLE THREAD CROSS		
PART#	HB SIZE	PRICE
NTC38	3/8"	2.75 D
NTC12	1/2"	2.75 D
NTC34	3/4"	2.75 D



NOZZLE THREAD ELBOW		
PART#	HB SIZE	PRICE
NTL38	3/8"	1.95 D
NTL12	1/2"	1.95 D
NTL58	5/8"	1.95 D
NTL34	3/4"	2.16 D



NOZZLE THREAD BARB		
PART#	HB SIZE	PRICE
NTB38	3/8"	1.30 D
NTB12	1/2"	1.30 D



NOZZLE THREAD NUT		
PART#	MATERIAL	PRICE
NTN	NYLON	.47 D



NOZZLE CAP		
PART#	MATERIAL	PRICE
CP8027-NYB	NYLON	1.20 D

TEEJET SWIVEL BODY ASSEMBLIES

TEEJET SWIVEL NOZZLE BODY ASSEMBLIES ARE DESIGNED FOR USE IN ROW CROP SPRAYING TIPS. A LOCKNUT HOLDS THE SWIVEL BODIES FIRMLY IN POSITION FOR SELECTED SPRAY ANGLES, NOT AFFECTED BY JARRING OR VIBRATION. PART NUMBER INCLUDES BODY ONLY, NO TIPS, STRAINERS OR CAPS INCLUDED. AVAILABLE IN THREADED CAP AND QUICK TEEJET STYLES.



QJ8600-2



8600



8600-2



5000



5540



QJ8600

PART#	DESCRIPTION	PRICE
QJ8600-1/4-NYB	NYLON SINGLE SWIVEL W/QUICKJET	9.28 D
QJ8600-2-1/4-NYB	NYLON DOUBLE SWIVEL W/QUICKJET	11.18 D
8600-1/4T-NYB	NYLON SINGLE SWIVEL THREADED	10.78 D
8600-2-1/4T-NYB	NYLON DOUBLE SWIVEL THREADED	13.00 D
5000-1/4T	BRASS SINGLE SWIVEL FEMALE	22.43 D
5540-1/4TT	BRASS SINGLE SWIVEL MALE	24.78 D
4202-2-1/4T	BRASS DOUBLE SWIVEL	30.38 D



4202-2

HOSE SHANKS & ACCESSORIES



TEE CONNECTION WITH 1/4" FPT		
PART#	BARB SIZE	PRICE
13435-406-NYB	3/8"	5.58 D
13438-540-NYB	1/2"	5.58 D



ELBOW CONNECTION WITH 1/4" FPT		
PART#	BARB SIZE	PRICE
13434-406-NYB	3/8"	5.58 D
13437-540-NYB	1/2"	5.58 D



3-WAY CONNECTION WITH 1/4" FPT		
PART#	BARB SIZE	PRICE
13436-406-NYB	3/8"	5.58 D
13439-540-NYB	1/2"	5.58 D



USE TEEJET HOSE SHANKS FOR ATTACHING HOSE TO NOZZLE BODY. FITS ALL TEEJET NOZZLE CAPS, REPLACING SPRAY TIPS.

TEEJET HOSE SHANKS		
PART#	HOSE ID	PRICE
8400-14	1/4"	1.00 D
8400-38	3/8"	1.00 D
8400-12	1/2"	1.00 D



TEEJET SPLIT EYELET NOZZLE BODIES MOUNT ON 1/2", 3/4" & 1" PIPE. 25775 MOUNTS TO 9.5mm HOLE. 7421 MOUNTS TO 7.2mm HOLE.



TEEJET SPLIT EYELET NOZZLE BODIES			
PART#	MATERIAL	PIPE SIZE	PRICE
25775-1/2T-NYB	NYLON	1/2"	6.95 D
25775-3/4T-NYB	NYLON	3/4"	6.95 D
25775-1T-NYB	NYLON	1"	6.95 D
7421-1/2TSS	STAINLESS	1/2"	15.95 D
7421-3/4TSS	STAINLESS	3/4"	15.95 D
7421-1TSS	STAINLESS	1"	15.95 D



CP3942 IS USED TO TEMPORARILY SHUT-OFF SELECTED NOZZLES BY REPLACING SPRAY TIPS WITH THESE PLUG TIPS. BRASS OR STAINLESS.

TIP PLUGS		
PART#	MATERIAL	PRICE
CP3942SS	STAINLESS	0.88 D
CP3942	BRASS	0.60 D



4676 TEEJET OUTLET ADAPTER FITS THE OUTLETS OF TEEJET NOZZLE BODIES AS WELL AS THE OUTLETS OF VARIOUS GUN-JET SPRAY GUNS AND SHUT-OFF VALVES. USE FOR ATTACHING HOSE DROPS TO NOZZLES OR EXTENSIONS TO SPRAY GUNS. 11/16" -16 TJ NOZZLE THREAD X FNPT.

TEEJET OUTLET ADAPTER			
PART#	OUTLET SIZE	MATERIAL	PRICE
4676-14	1/4"	BRASS	3.58 D
4676-14-NYB	1/4"	NYLON	2.95 D
4676-14-SS	1/4"	STAINLESS	12.03 D



TEEJET HOSE DROPS

CONNECT TO STANDARD AND QUICK TEEJET NOZZLE BODIES AND CAN ALSO BE USED WITH SWIVELS. AVAILABLE IN 15" & 24" LENGTHS. MAXIMUM OPERATING PRESSURE 125psi. QJ1/4T-NYB CAN BE ATTACHED TO HOSE DROPS FOR USE WITH QUICK TEEJET CAPS

TEEJET HOSE DROPS				
PART#	LENGTH	INLET CONNECTION	OUTLET CONNECTION	PRICE
21353-6-15-NYB	15"	QUICK TEEJET	1/4" MNPT	15.05 D
21353-6-24-NYB	24"	QUICK TEEJET	1/4" MNPT	15.05 D
21354-15-NYB	15"	11/16" -16 TJ THREAD	1/4" MNPT	9.95 D
21354-24-NYB	24"	11/16" -16 TJ THREAD	1/4" MNPT	11.10 D

TIP STRAINERS



8079



5053

STANDARD STRAINERS

STRAINERS PROTECT SPRAY TIP ORIFICES FROM CLOGGING AND DAMAGE.

TEEJET STANDARD TIP STRAINERS			
PART#	MESH	MATERIAL	PRICE
8079-PP-50	50	POLYPROPYLENE (RED) **NEW COLOR - GENTIAN BLUE	1.55 D
8079-PP-100	100	POLYPROPYLENE (GREEN) **NEW COLOR - TRAFFIC GREEN	1.55 D
5053-50-SS	50	BRASS	3.63 D
5053-100-SS	100	BRASS	3.63 D

SLOTTED STRAINERS

SLOTTED ONE-PIECE STRAINERS FOR USE WITH LIQUID CONTAINING SUSPENDED SOLIDS.



4514



TEEJET SLOTTED STRAINERS			
PART#	MESH	MATERIAL	PRICE
4514-NY-10	50	NYLON (RED) **NEW COLOR - GENTIAN BLUE	1.63 D
4514-NY-20	25	NYLON (YELLOW) **NEW COLOR - FLAME RED	1.63 D
4514-NY-32	16	NYLON (GRAY) **NEW COLOR - BROWN RED	1.63 D
4514-10	50	BRASS	1.73 D
4514-20	25	BRASS	1.73 D
4514-32	16	BRASS	1.73 D



4193

STRAINER AND CHECK VALVE

MINIMIZES NOZZLE DRIPPING; FITS ALL TEEJET NOZZLES. BALL CHECK OPENS AT 5 PSI. RECOMMENDED FOR FLOW RATES UP TO 8 GPM. NOT FOR USE WITH AI OR DG TIPS.

NOTE: USE OF THESE BALL CHECK VALVES RESULTS IN A PRESSURE DROP OF 5 PSI TO 10 PSI DEPENDING ON SPRING RATING.



TEEJET STRAINERS & CHECK VALVE			
PART#	MESH	MATERIAL	PRICE
4193A-PP-50	50	POLYPROPYLENE (RED) **NEW COLOR - GENTIAN BLUE	5.03 D
4193A-PP-100	100	POLYPROPYLENE (GREEN) **NEW COLOR - TRAFFIC GREEN	5.03 D
4193A-SS-50	50	STAINLESS	24.85 D
4193A-SS-100	100	STAINLESS	24.85 D
4193A-BR-50	50	BRASS	6.33 D
4193A-BR-100	100	BRASS	6.33 D

SPRAY GUNS

22670-PP-1/4 TRIGGERJET

FEATURES:

- 22650 TRIGGERJET GUN
- TRIGGER LOCK
- 22665 EXTENSION 15" OR 24"
- 8079-PP-50 STRAINER
- 5500-PPB-X8 ADJUSTABLE TIP
- ACCEPTS ALL STANDARD SPRAY SYSTEMS
- TIPS AND STAINERS



PART#	MATERIAL	INLET	MAX PRESSURE	LENGTH	MAX FLOW	PRICE
22670-PP-15-1/4	POLYPROPYLENE	1/4" FNPT	150	15"	1.4 GPM	55.58 D
22670-PP-24-1/4	POLYPROPYLENE	1/4" FNPT	150	24"	1.4 GPM	64.05 D

AA23L-7676 GUNJET

FEATURES:

- AA23-7676 GUNJET
- ALUMINUM ALLOY
- EXTENSION 18" OR 24"
- ACCEPTS ALL STANDARD SPRAY SYSTEMS
- TIPS AND STRAINERS



PART#	MATERIAL	INLET	MAX PRESSURE	LENGTH	MAX FLOW	PRICE
AA23L-7676-18	ALUMINUM	1/4" MNPS	250	18"	5 GPM	137.68 D
AA23L-7676-24	ALUMINUM	1/4" NPS	250	24"	5 GPM	145.93 D

ADJUSTABLE CONEJET TIPS



PART#	MATERIAL	PRICE
5500-PPB-X5	POLY	11.23 D
5500-PPB-X6	POLY	11.23 D
5500-PPB-X8	POLY	11.23 D
5500-X3	BRASS	24.55 D
5500-X8	BRASS	24.55 D



5500-PPB

THE POLYPROPYLENE TIP HAS THE SAME PERFORMANCE CHARACTERISTICS AS THE BRASS TIP AND PROVIDES EXCELLENT CHEMICAL RESISTANCE. THIS TIP'S LIGHT WEIGHT MAKES IT WELL-SUITED FOR USE ON HANDHELD AND BACKPACK TYPE SPRAYERS.

5500

KNURLED BODY OF TIP ROTATES THROUGH A HALF TURN TO PROVIDE SPRAY SELECTION FROM WIDE ANGLE, FINELY ATOMIZED CONE SPRAY TO A STRAIGHT STREAM SPRAY.

SPRAY GUNS & FIRE NOZZLES

HYPRO AG SPRAY GUN MODEL 3381-0043

3381-0043: Adjustable pattern spray gun with 7-1/4" barrel and 2.3mm nozzle, 3/8" and 1/2" hose barb.

3381-0043L: Adjustable pattern spray gun with 18" barrel and 2.3mm nozzle, 3/8" and 1/2" hose barb.



PART#	PORT	LENGTH	PRICE
3381-0043	3/8" & 1/2" HOSE BARB	7"	187.41 R
3381-0043L	3/8" & 1/2" HOSE BARB	18"	211.67 R

FIRE NOZZLES



Fully adjustable for solid stream to a fine mist. Polycarbonate construction with heavy rubber bumper.



PART#	SIZE	GPM	PRICE
FN34	3/4" FEMALE GARDEN HOSE THREAD	8	56.50 A
FN100	1" FEMALE PIPE	22	29.00 A
FN112	1-1/2" FEMALE PIPE	75	29.00 A
FN200	2" FEMALE PIPE	75	59.00 A

SPECIALTY NOZZLES



TEEJET EDUCTOR NOZZLE

ALLOWS SMALL PUMPS TO CIRCULATE LARGE VOLUMES OF LIQUID. MADE FROM GLASS-FILLED POLYPROPYLENE FOR EXCELLENT CORROSION & CHEMICAL RESISTANCE. LARGE FLOW OPENING MINIMIZES PLUGGING.

PART#	INLET	ORIFICE DIA	LENGTH	DIAMETER	PRICE
Y33180-PP	3/8" MPT	5/16"	4-1/16"	2-1/16"	75.50 D
Y9270-PP	3/4" MPT	3/8"	6-3/8"	2-29/32"	75.50 D



TEEJET TANK RINSING NOZZLES

FLUID DRIVEN ROTATIONAL SPRAY HEAD.
360 DEGREE COVERAGE INSIDE TANK.
MADE FROM CORROSION RESISTANT TEFLON MATERIAL.
MOUNTING CONNECTION 3/4" FEMALE NOT.

PART#	CAPACITY GPM					PRICE
	10 PSI	20 PSI	30 PSI	40 PSI	50 PSI	
27500E-3/4-18-TEF	9	12.7	15.6	18	20	309.68 D



THE ROTARY TANK RINSING NOZZLE IS USED FOR RINSING THE INSIDES OF CHEMICAL CONTAINERS AND SPRAY TANKS UP TO 6.5 FT IN DIAMETER. AVAILABLE WITH 1/2" NPT OR BSPT CONNECTIONS. SELF-CLEANING SLIDING BEARING. NOZZLE FITS IN 1-1/2" OPENING. BODY AND INSERTS ARE MADE OF POM (ACETAL).

PART#	CAPACITY GPM					PRICE
	20 PSI	30 PSI	40 PSI	50 PSI	60 PSI	
D41892-1/2-POM-6	4	4.9	5.7	6.4	7	229.98 D



TEEJET CONTAINER RINSING NOZZLES

USED TO RINSE CONTAINERS BEFORE DISPOSAL. CAN BE USED ON CONTAINERS WITH 1-1/32" OPENING OR LARGER. THREE FLAT ORIFICES PROVIDE SELF-ROTATION FORCES NEEDED. MADE OF 316 STAINLESS WITH HARDENED STAINLESS STEEL BEARING.

PART#	INLET	CAPACITY GPM				PRICE
		30 PSI	40 PSI	50 PSI	60 PSI	
23240-3-HSS-5.7-316SS	1/2" FNPT	4.3	5	5.6	6.1	824.95 D
23240-3-HSS-7-316SS	1/2" FNPT	6.1	7	7.8	8.6	858.08 D

USED TO RINSE CONTAINERS BEFORE DISPOSAL. 40 ORIFICES PRODUCE A 240 DEGREE SPRAY ANGLE ALL NYLON CONSTRUCTION. RECOMMENDED OPERATING PRESSURE 30-60 PSI.



PART#	INLET	CAPACITY GPM				PRICE
		30 PSI	40 PSI	60 PSI	80 PSI	
VSM-12-44	1/2" FNPT	7.5	8.6	10.6	12.2	49.75 D
VSM-12-90	1/2" FNPT	15.3	17.7	22	25	49.75 D
VSM-34-90	3/4" FNPT	15.3	17.7	22	25	510.32 D



COMBO-JET® Spray Tip-Caps

Wilger's patented all-in-one Tip-Cap & snap-in strainer.
See our selection of extended range and drift control spray tips and strainers.

COMBO-JET® Extended Range (ER) Tip-Cap-Smallest droplets, best coverage, greatest drift potential.

COMBO-JET® Small Reduction (SR) Tip-Cap & Orifice-Medium droplet drift reduction, excellent coverage lower drift potential.

COMBO-JET® Mid Range (MR) Tip-Cap & Orifice-Large sized droplets for very good coverage with significant reduction in drift.

COMBO-JET® Drift Control (DR) Tip-Cap & Orifice-Very Large droplets for good coverage with maximum drift control.

TIP #	PART#	PSI	GPM	GALLONS PER ACRE 20" SPACING							
				6	7	8	10	12	16	18	20
				MPH	MPH	MPH	MPH	MPH	MPH	MPH	MPH
ER80-01	40270-01	20	0.07	3.5	3.0	2.6	2.1	1.7	1.3	1.2	1.0
SR80-01	40288-01	30	0.09	4.5	3.8	3.3	2.7	2.2	1.7	1.5	1.3
MR80-01	40290-01	40	0.10	5.0	4.2	3.7	3.0	2.5	1.9	1.7	1.5
DR80-01	40280-01	50	0.11	5.4	4.7	4.1	3.3	2.7	2.0	1.8	1.6
ER110-01	40281-01	60	0.12	5.9	5.1	4.5	3.6	3.0	2.2	2.0	1.8
		70	0.13	6.4	5.5	4.8	3.9	3.2	2.4	2.1	1.9
		80	0.14	6.9	5.9	5.2	4.2	3.5	2.6	2.3	2.1
ER80-015	40270-015	20	0.11	5.4	4.7	4.1	3.3	2.7	2.0	1.8	1.6
SR80-015	40288-015	30	0.13	6.4	5.5	4.8	3.9	3.2	2.4	2.1	1.9
MR80-015	40290-015	40	0.15	7.4	6.4	5.6	4.5	3.7	2.8	2.5	2.2
DR80-015	40280-015	50	0.17	8.4	7.2	6.3	5.0	4.2	3.2	2.8	2.5
ER110-015	40281-015	60	0.18	8.9	7.6	6.7	5.3	4.5	3.3	3.0	2.7
SR110-015	40287-015	70	0.20	9.9	8.5	7.4	5.9	5.0	3.7	3.3	3.0
MR110-015	40291-015	80	0.21	10.4	8.9	7.8	6.2	5.2	3.9	3.5	3.1
DR110-015	40286-015										
ER80-02	40270-02	20	0.14	6.9	5.9	5.2	4.2	3.5	2.6	2.3	2.1
SR80-02	40288-02	30	0.17	8.4	7.2	6.3	5.0	4.2	3.2	2.8	2.5
MR80-02	40290-02	40	0.20	9.9	8.5	7.4	5.9	5.0	3.7	3.3	3.0
DR80-02	40280-02	50	0.22	10.9	9.3	8.2	6.5	5.4	4.1	3.6	3.3
ER110-02	40281-02	60	0.24	11.9	10.2	8.9	7.1	5.9	4.5	4.0	3.6
SR110-02	40287-02	70	0.26	12.9	11.0	9.7	7.7	6.4	4.8	4.3	3.9
MR110-02	40291-02	80	0.28	13.9	11.9	10.4	8.3	6.9	5.2	4.6	4.2
DR110-02	40286-02										
ER80-025	40270-025	20	0.18	8.9	7.6	6.7	5.3	4.5	3.3	3.0	2.7
SR80-025	40288-025	30	0.22	10.9	9.3	8.2	6.5	5.4	4.1	3.6	3.3
MR80-025	40290-025	40	0.25	12.4	10.6	9.3	7.4	6.2	4.6	4.1	3.7
DR80-025	40280-025	50	0.28	13.9	11.9	10.4	8.3	6.9	5.2	4.6	4.2
ER110-025	40281-025	60	0.31	15.3	13.2	11.5	9.2	7.7	5.8	5.1	4.6
SR110-025	40287-025	70	0.33	16.3	14.0	12.3	9.8	8.2	6.1	5.4	4.9
MR110-025	40291-025	80	0.35	17.3	14.9	13.0	10.4	8.7	6.5	5.8	5.2
DR110-025	40286-025										
ER-80-03	40270-03	20	0.21	10.4	8.9	7.8	6.2	5.2	3.9	3.5	3.1
SR80-03	40288-03	30	0.26	12.9	11.0	9.7	7.7	6.4	4.8	4.3	3.9
MR80-03	40290-03	40	0.30	14.9	12.7	11.1	8.9	7.4	5.6	5.0	4.5
DR80-03	40280-03	50	0.34	16.8	14.4	12.6	10.1	8.4	6.3	5.6	5.0
ER110-03	40281-03	60	0.37	18.3	15.7	13.7	11.0	9.2	6.9	6.1	5.5
SR110-03	40287-03	70	0.40	19.8	17.0	14.9	11.9	9.9	7.4	6.6	5.9
MR110-03	40291-03	80	0.42	20.8	17.8	15.6	12.5	10.4	7.8	6.9	6.2
DR110-03	40286-03										

COMBO-JET® Spray Tip-Caps



PART#	STRAINERS	PRICE
40250-00	50 MESH BLUE	1.85 D
40251-00	100 MESH GREEN	1.85 D

DESCRIPTION	PRICE	DESCRIPTION	PRICE
ER Tips 01-08	10.32 D	ER Tips 10 & UP	10.32 D
SR Tips 01-06	15.27 D	SR Tips 08 & UP	15.27 D
MR Tips 01-05	15.27 D	MR Tips 06 & UP	15.27 D
DR Tips 01-04	15.27 D	DR Tips 05 & UP	15.27 D

TIP #	PART#	PSI	GPM	GALLONS PER ACRE 20" SPACING							
				6	7	8	10	12	16	18	20
				MPH	MPH	MPH	MPH	MPH	MPH	MPH	MPH
ER80-04	40270-04	20	0.28	13.9	11.9	10.4	8.3	6.9	5.2	4.6	4.2
SR80-04	40288-04	30	0.35	17.3	14.9	13	10.4	8.7	6.5	5.8	5.2
MR80-04	40290-04	40	0.40	19.8	17	14.9	11.9	9.9	7.4	6.6	5.9
DR80-04	40280-04	50	0.45	22	19	16.7	13.4	11.1	8.4	7.4	6.7
ER110-04	40281-04	60	0.49	24	21	18.2	14.6	12.1	9.1	8.1	7.3
SR110-04	40287-04	70	0.53	26	22	19.7	15.7	13.1	9.8	8.7	7.9
MR110-04	40291-04	80	0.57	28	24	21	16.9	14.1	10.6	9.4	8.5
DR110-004	40286-04										
ER80-05	40270-05	20	0.35	17.3	14.9	13	10.4	8.7	6.5	5.8	5.2
SR80-05	40288-05	30	0.43	21	18.2	16	12.8	10.6	8	7.1	6.4
MR80-05	40290-05	40	0.50	25	21	18.6	14.9	12.4	9.3	8.3	7.4
DR80-05	40280-05	50	0.56	28	24	21	16.6	13.9	10.4	9.2	8.3
ER110-05	40281-05	60	0.61	30	26	23	18.1	15.1	11.3	10.1	9.1
SR110-05	40287-05	70	0.66	33	28	25	19.6	16.3	12.3	10.9	9.8
MR110-05	40291-05	80	0.71	35	30	26	21	17.6	13.2	11.7	10.5
DR110-05	40286-05										
ER80-06	40270-06	20	0.42	21	17.8	15.6	12.5	10.4	7.8	6.9	6.2
SR80-06	40288-06	30	0.52	26	22	19.3	15.4	12.9	9.7	8.6	7.7
MR80-06	40290-06	40	0.60	30	25	22	17.8	14.9	11.1	9.9	8.9
DR80-06	40280-06	50	0.67	33	28	25	19.9	16.6	12.4	11.1	9.9
ER110-06	40281-06	60	0.73	36	31	27	22	18.1	13.6	12	10.8
SR110-06	40287-06	70	0.79	39	34	29	23	19.6	14.7	13	11.7
MR110-06	40291-06	80	0.85	42	36	32	25	21	15.8	14	12.6
DR110-06	40286-06										
ER80-08	40270-05	20	0.57	28	24	21	16.9	14.1	10.6	9.4	8.5
SR80-08	40288-08	30	0.69	34	29	26	20	17.1	12.8	11.4	10.2
MR80-08	40290-08	40	0.80	40	34	30	24	19.8	14.9	13.2	11.9
DR80-08	40280-08	50	0.89	44	38	33	26	22	16.5	14.7	13.2
ER110-08	40281-08	60	0.98	49	42	36	29	24	18.2	16.2	14.6
SR110-08	40287-08	70	1.06	52	45	39	31	26	19.7	17.5	15.7
MR110-08	40291-08	80	1.13	56	48	42	34	28	21	18.6	16.8
DR110-08	40286-08										
ER80-10	40270-10	20	0.71	35	30	26	21	18	13	12	11
SR80-10	40288-10	30	0.87	43	37	32	26	22	16	14	13
MR80-10	40290-10	40	1.00	50	42	37	30	25	19	17	15
DR80-10	40280-10	50	1.12	55	48	42	33	28	21	18	17
ER110-10	40281-10	60	1.22	60	52	45	36	30	23	20	18
SR110-10	40287-10	70	1.32	65	56	49	39	33	25	22	20
MR110-10	40291-10	80	1.41	70	60	52	42	35	26	23	21
DR110-10	40286-10										



COMBO-JET® & COMBO-RATE® NOZZLE BODIES

COMBO-JET® NOZZLE BODY -

Rugged and durable. Unique Radialock cap retainer makes it easier to put on and take off caps and caps are less likely to get knocked off. Available in single, double, and triple outlet wet boom, dry boom & KWIKSTOP models.



COMBO-JET WET BOOM NOZZLE BODY		
PART#	DESCRIPTION	PRICE
40611-00	SINGLE BODY 3/4" PIPE	5.68 D
40621-00	SINGLE BODY 1" PIPE	5.68 D
40612-00	DOUBLE BODY 3/4" PIPE	14.60 D
40622-00	DOUBLE BODY 1" PIPE	14.60 D
40613-00	TRIPLE BODY 3/4" PIPE	17.98 D
40623-00	TRIPLE BODY 1" PIPE	17.98 D
40155-07	DIAPHRAGM - FAIRPRENE	1.12 D



COMBO-JET DRY BOOM NOZZLE BODY		
PART#	DESCRIPTION	PRICE
40352-00	SINGLE	9.48 D
40353-00	DOUBLE	19.38 D
40354-00	TRIPLE	24.36 D



CAPSTAN BLENDED PULSE NOZZLE BODY		
PART#	DESCRIPTION	PRICE
41135-00	Thru-body Assy for Capstan (w/o nut)	4.38 D
41533-00	3-way Turret-body Assy for Capstan (w/o nut)	14.48 D
41534-00	4-way Turret-body Assy for Capstan (w/o nut)	14.48 D
41535-00	5-way Turret-body Assy for Capstan (w/o nut)	14.48 D

COMBO-RATE® NOZZLE BODY -

Lets you spray with more than one tip at same location to optimize coverage, drift control...and results.



COMBO-RATE DIAPHRAGM NOZZLE BODY		
PART#	DESCRIPTION	PRICE
41100-00	Thru-body Assy Diaphragm Check	9.68 D
41101-00	End-body Assy Diaphragm Check	8.83 D
41503-00	3-way Turret-body Assy Diaphragm Check	21.32 D
41504-00	4-way Turret-body Assy Diaphragm Check	19.38 D
41505-00	5-way Turret-body Assy Diaphragm Check	19.38 D



COMBO-RATE MANUAL ON/OFF DIAPH BODY		
PART#	DESCRIPTION	PRICE
41110-00	Thru-body Assy Manual On/Off	12.15 D
41111-00	End-body Assy Manual On/Off	11.29 D
41513-00	3-way Turret-body Assy Manual On/Off	20.75 D
41514-00	4-way Turret-body Assy Manual On/Off	20.75 D
41515-00	5-way Turret-body Assy Manual On/Off	22.84 D



COMBO-RATE WET BOOM SADDLES		
PART#	DESCRIPTION	PRICE
41203-00	Wet Boom Saddle Assy 3/4" Pipe, 3/8" Inlet	7.33 D
41200-00	Wet Boom Saddle Assy 1" Pipe, 3/8" Inlet	7.33 D
41201-00	Wet Boom Saddle Assy 1" Pipe, 9/16" Inlet	6.68 D
41206-00	Wet Boom Saddle Assy 2" Pipe, 9/16" Inlet	7.75 D



COMBO-RATE DRY BOOM COMPONENTS		
PART#	DESCRIPTION	PRICE
41256-00	Combo-Clip 3/4" Square Mount Adapter	4.20 D

CONVENTIONAL NOZZLE BODIES & PARTS



CONVENTIONAL/SQUARE-LUG SWIVEL NOZZLE BODIES -

are interchangeable with conventional/square-lug nozzle bodies and accommodate conventional/square-lug tip caps. Available in single, double and triple outlet wet boom, dry boom and KWIKSTOP models.



CONVENTIONAL WET BOOM NOZZLE BODY		
PART#	DESCRIPTION	PRICE
40651-00	SINGLE BODY FOR 3/4" PIPE	6.23 D
40661-00	SINGLE BODY FOR 1" PIPE	6.25 D
40652-00	DOUBLE BODY FOR 3/4" PIPE	16.06 D
40662-00	DOUBLE BODY FOR 1" PIPE	16.06 D
40653-00	TRIPLE BODY FOR 3/4" PIPE	19.76 D
40663-00	TRIPLE BODY FOR 1" PIPE	19.76 D
40155-07	DAIPHFRAGM - FAIRPRENE	1.12 D



CONVENTIONAL DRY BOOM NOZZLE BODY		
PART#	DESCRIPTION	PRICE
40152-00	DOUBLE DRY BOOM BODY	19.38 D
40153-00	TRIPLE DRY BOOM BODY	24.36 D



DRY BOOM HOSE SHANKS				
	PART#			PRICE
SINGLE	40301-00	40306-00	40311-00	2.30 D
DOUBLE	40302-00	40307-00	40312-00	2.30 D
TRIPLE	N/A	N/A	40313-00	2.30 D



BOOM END FLUSH VALVE		
PART#	DESCRIPTION	PRICE
25175-VO	1" QN SST Style & 1-1/4"	29.13 D
25176-VO	1" NPTF Style	34.56 D
41402-VO	TWS (Case IH) Style	29.13 D
25173-03	Standard Handle	3.25 D
25175-13	Long Handle	3.25 D

COMBO-JET CONVERSION ADAPTER		
PART#	DESCRIPTION	PRICE
40204-00	Conventional to Combo-Jet	2.78 D
40202-00	Hardi to Combo-Jet	2.78 D
40203-00	Combo-Jet to Conventional	2.78 D



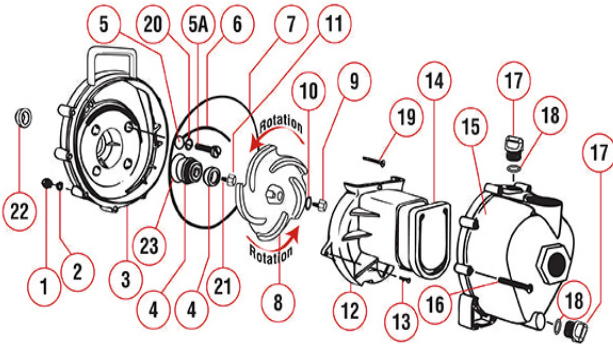
RADIALOCK CAPS - SLOTTED, HOSEBARB, THREADED & SEAL ADAPTER		
For colors on caps add - 01 RED, 02 WHITE, 03 GREEN, 04 YELLOW, 05 BLACK		
PART #	DESCRIPTION	PRICE
40269-XX	Cap - Universal, Slot - 3/8" Wide	1.13 D
40271-XX	Cap - Universal, Round - 1/2" Diam	1.26 D
40275-XX	Cap - Hardi Slot	1.26 D
40276-XX	Cap - Wide Slot - 7/16" Wide	1.27 D
40279-XX	Cap - Universal, Slot, High Volume - 3/8" Wide	1.27 D
40272-05	Cap - Plug	1.26 D
40273-05	Cap - 1/4" NPTF	1.61 D
40274-05	Cap - 1/4" NPTF, 45 Degree	3.50 D
40277-05	Cap - 1/8" NPFT	1.50 D
40420-05	Cap - 1/8" Hose Barb	1.50 D
40422-05	Cap - 1/4" Hose Barb	1.50 D
40424-05	Cap - 3/8" Hose Barb	1.50 D
40426-05	Cap - 1/2" Hose Barb	1.50 D
40435-05	Cap - 1/4" Tube Push-In Fitting	4.79 D
40436-05	Cap - 3/8" Tube Push-In Fitting	4.79 D
40440-00	Twin Cap Adapter Assy w/Seal	5.57 D
40261-00	Seal Adapter	0.47 D

GAS-DRIVEN POLY TRANSFER PUMPS

PART#	PUMP SIZE	MOTOR	HP	GPM	PRICE
B200P6PRO	2"	BRIGGS	6.5	190	513.50 A
200PH6	2"	HONDA	6.5		830.00 P
200PH6E	2"	HONDA	6.5		1,225.00 P
200PS-6	2"	HONDA	5.7		675.00 P
300PH6	3"	HONDA	6.5	300	930.00 A
300PS-6	3"	SIMPSON	6.7		775.00 P
B200PO	2"	PUMP ONLY		190	262.65 A
B300PO	3"	PUMP ONLY			371.89 A



**NEW STYLE BREAKDOWN SHOWN
"V" SHAPED BODY PRIMES FASTER.**



PUMP REPAIR KITS		
PART#	DESCRIPTION	PRICE
12000A	PUMP REPAIR KIT 2"	175.05 D
12999A	SEAL/O-RING KIT 2"	96.23 D
13999	SEAL/O-RING KIT 3"	96.23 D

Pump Cover



PART# PCVR \$134.00 Y

PARTS NEW DESIGN MFG BEGINNING SEPT 1996					
REF #	DESCRIPTION	REQ	PART # 2"	PART # 3"	PRICE
1	BODY NUTS SS	10	V07019	V07019	1.40 D
2	LOCK WASHER SS	10	V07018	V07018	1.40 D
3	POLY PUMP REAR BRACKET	1	12703A	12703A	118.20 D
4	SEAL ASSEMBLY	1	12713	12713	57.85 D
5	SCREW HEADS O-RING	4	12717	12717	1.23 D
#	BRACKET SCREWS SS	4	12715A	12715A	5.00 D
6	O-RING SEGMENT	1	12754	12754	7.93 D
7	BODY O-RING	1	12719A	12719A	18.88 D
8	5 VANE IMPELLER	1	12772		55.43 D
	4 VANE IMPELLER			13771	77.98 D
9	IMPELLER BOLT SS	1	12765A	13765	23.78 D
10	IMPELLER BOLT GASKET	1	12774VA	12774VA	2.15 D
11	IMPELLER NUT	1	12775A	12775A	18.88 D
12	POLY PUMP VOLUTE	1	12702A		88.95 D
				13702	96.23 D
13	VOLUTE SCREWS SS	2	12725	12725	5.00 D
14	POLY PUMP CHECK VALVE	1	12705	12705	21.33 D
15	POLY PUMP BODY ASSY	1	12712A		182.75 D
				13712	243.65 D
16	BODY SCREWS SS	10	12720	12720	5.00 D
17	PRIME / DRAIN PLUG	2	12777		3.78 D
				13777	6.00 D
18	PLUG O-RING	2	UV15163		1.33 D
				13778	2.55 D
19	UPPER VOLUTE SCREW SS	1	12900	12900	2.08 D
20	REAR BRACKET WASHER SS	1	12901	12901	1.23 D
21	IMPELLER KEY	1	12902A	12902A	2.43 D
22	POLY PUMP SLINGER	1	12716	12716	7.93 D
23	O-RING SEAL ASSEMBLY	1	12710	12710	5.00 D

M220 2" Manifold Poly Pumps



M220P6PRO

FEATURES:

- * Precision molded construction
- * Lightweight
- * Corrosion resistant
- * Superior design
- * Low maintenance
- * EPDM Standard, FKM (viton type) available

CAUTION-WARNING:

Please do not run pump dry, restrict or reduce port sizes, or dead head pump.

DO NOT USE WITH FLAMMABLE LIQUIDS.



M220PH5

PART #	DESCRIPTION	PRICE
M220PH6E	2" Manifold Poly Pump w/5.5 HP Honda Engine	1250.00 A
M220PH6	2" FP Manifold Super Pump w/6.5 HP Honda Engine	880.00 A
M220PO	2" Manifold Poly Pump ONLY w/3/4" Shaft & 4 Vane Impeller	315.12 A
** ELECTRIC START		

REPLACEMENT PARTS							
DESCRIPTION	REQ	PART#	PRICE	DESCRIPTION	REQ	PART#	PRICE
Mechanical Seal Assembly	1	12713	57.85 D	SS Body Hex Nut	10	V07019	1.40 D
5/16" Flat Washer	4	12901	1.23 D	7/16-14 Hex Nut	1	12775A	18.88 D
#11 O'ring	4	12717	1.23 D	3/16" Sq x 5/8" Key	1	12902A	2.43 D
2" FP Manifold Pump Body Assy	1	M12712	230.22 D	2" Poly Pump Volute	1	12702A	88.95 D
Check Valve	1	12705	21.33 D	5 Vane Impeller	1	12772	55.43 D
#10 x 1-1/2" PPH SMS	1	12900	2.08 D	Decal	1		
#6 x 1/2" PPH SMS	2	12725	5.00 D	#029 O'ring	1	12710	5.00 D
#375 O'ring	1	12719A	18.88 D	Pump Slinger	1	12716	7.93 D
O'ring Segment	1	12754	7.93 D	5/16-24 x 1-1/8" HFS	1	12765A	23.78 D
SS Body Screws	10	12720	5.00 D	Impeller Bolt Gasket	1	12774VA	2.15 D
SS Lockwasher	10	V07018	1.40 D	SS Bracket Screws	4	12715A	5.00 D
				Poly Pump Rear Bracket	1	12703A	118.20 D

NOTE: The M230 Super Pump Series has become the M220 Super Pump Series

2" POLY PUMP with ELECTRIC MOTORS



FEATURES

- * Additional drive protection with added 1" spacer for ultimate protection
 - * Special non-metallic mechanical seal designed for better chemical resistance
 - * All elastomers are FKM (viton type)
 - * All internal fasteners are PTFE coated stainless steel
 - * The Banjo "Super Slinger" included for even more drive unit protection
- Do not run pump dry.
DO NOT USE WITH FLAMMABLE LIQUIDS.

PART #	DESCRIPTION	PRICE
234PPE51V	2" Poly Pump w/5.0 HP Single Phase Electric Motor w/FKM (viton Type) Elastomers	2,060.67 A

2" & 3" POLY PUMP with HYDRAULIC MOTOR



PUMP FEATURES

- * Precision molded construction
- * Lightweight
- * Corrosion resistant
- * Superior design
- * Low maintenance

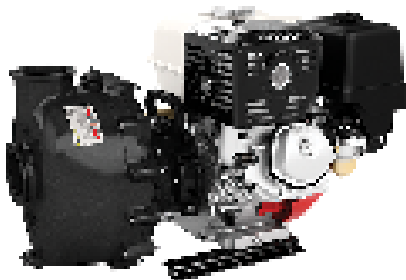
HYDRAULIC MOTOR FEATURES

- * Hydraulic fluid capacity
- * Minimum 6 Gallon/Maximum 10 Gallon
- * 12 HP Motor
- * Open or closed system
- * 3600 RPM

PART #	DESCRIPTION	PRICE
B200PHY	2" Poly Pump w/12 HP Hydraulic Motor	1,116.70 A
B300PHY	3" Poly Pump w/12 HP Hydraulic Motor	1,229.91 A

3" POLY PUMP with 13 HP HONDA MOTOR

FEATURES & BENEFITS



- * 500+ Gallons per Minute
- * Polymer components molded from polypropylene
- * EPDM seals
- * All stainless steel hardware
- * Tandem wet seal design
Produces less wear
Prevents seal breakage from high pressure clean out
Eliminates eight leak points
- * 13HP Honda Motor w/electric start
- * 3" Manifold fittings for easy plumbing

PART# M350PH13W \$2,766.98 A

CENTRIFUGAL PUMPS



GAS ENGINE DRIVEN			
PART#	ENGINE	PUMP	PRICE
32406H	6.5HP Honda	2" Cast, Wet Seal	\$1,558.82 Y
335013H	13HP Electric Start Honda	3" Cast, Wet Seal	\$3,000.00 Y
335013H-FLG	13HP Electric Start Honda	3" Cast, Wet Seal, Flanged	\$3,000.00 Y



ELECTRIC DRIVEN			
PART#	ENGINE	PUMP	PRICE
S-3220-E5D3	Single Phase, 5HP	2" Cast, Wet Seal	\$2,400.00 Y
S-3220-E5T3	3 Phase, 5HP	2" Cast, Wet Seal	\$2,500.00 Y
SP-3340-E10TB-1	Single Phase, 10HP	3" Cast, Wet Seal	\$4,500.00 Y
334010EW	3 Phase, 10HP	3" Cast, Wet Seal	\$3,400.00 Y

PISTON PUMPS

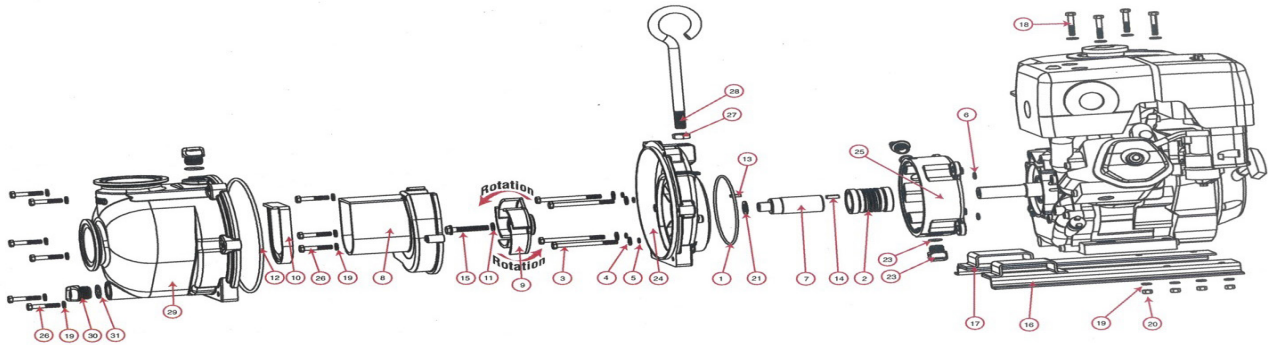


PART#	DESCRIPTION	PRICE
NGP6055-FLG	Single Piston, 21 GPM, Flanged (220)	\$1,900.00 Y
NGP7055-FLG	Single Piston, 34 GPM, Flanged (220)	\$2,200.00 Y
DRV3300	Ground Drive w/Pump Mount	\$2,200.00 Y

M332 Manifold Wet Seal Series Pumps



PART#	DESCRIPTION	PRICE
M332PIH13W	3" Manifold Cast Iron Wet Seal Pump w/13 HP Honda Engine	2,984.62 A
M332PIE10W	3" Manifold Cast Iron Wet Seal Pump w/10 HP Three Phase Electric Motor	2,984.62 A
M332PIE101W	3" Manifold Cast Iron Wet Seal Pump w/10 HP Single Phase Electric Motor	3,991.93 A



PARTS M332 WET SEAL CAST IRON					PARTS M332 WET SEAL CAST IRON				
REF #	DESCRIPTION	REQ	PART#	PRICE	REF #	DESCRIPTION	REQ	PART#	PRICE
1	O-Ring	1	13719	3.55 D	16	Z-Rail	1	18135B	N/A
2	Mechanical Seal Assembly	1	15035E	297.23 D	17	Z-Rail	1	18135A	N/A
3	5/16" - 24 x 3-3/4" HHCS	4	13034	11.58 D	18	5/16" - 18 x 1-3/4" HHCS	4	17029	N/A
4	5/16" Flat Washer	8	12901	1.23 D	19	5/16" Lock Washer	13	V10118	1.40 D
5	O-Ring for Bracket Screw	4	12717	1.23 D	20	5/16" Hex Nut	4	V10119	1.40 D
6	O-Ring	4	12709	1.23 D	21	Gasket	2	CV10175	2.10 D
7	Adapter Shaft	1	13055	146.20 D	22	Prime/Drain Plug	2	12777	3.78 D
8	Volute	1	19702	136.25 D	23	O-Ring	2	UV15163	1.33 D
9	5 Vane Impeller	1	19772	94.13 D	24	Rear Bracket	1	19703W	191.68 D
10	Check Valve	1	12705	21.33 D	25	Wet Seal Reservoir	1	19201W	147.15 D
11	Impeller Bolt Gasket	1	12774VA	2.15 D	26	5/16" - 24 x 1-3/4" HHCS	9	12715A	5.00 D
12	Body O-Ring	1	12719A	18.88 D	27	5/8" - 11 Jam Nut	1	18034	5.13 D
13	Impeller Key	1	12902A	2.43 D	28	Pump Handle	1	18033	26.78 D
14	1/4" sq x 3/4" Key Stock	1	16901	5.10 D	29	Pump Body	1	M19712X	316.63 D
15	3/8" - 24 x 2-1/4" HFS	1	13766	5.00 D	30	3/4" Drain Plug	2	13777	6.00 D
					31	O-Ring	2	13778	2.55 D

HYPRO ROLLER PUMPS



1500 SERIES



1700 SERIES



4001 SERIES



4101 SERIES



6500 SERIES



7500 SERIES

FEATURES:

CAST IRON, NI-RESIST OR SILVER-CAST CONSTRUCTION.
 POSITIVE DISPLACEMENT PUMPS FOR MOST
 AGRICULTURAL CHEMICAL TRANSFER & SPRAYING



7700 SERIES

MODEL	MAX GPM	MAX PSI	MAX RPM	DESCRIPTION	PRICE
1502C	62	200	1000	CAST IRON, 6-ROLLER PUMP WITH SUPER ROLLERS, BUNA N SEALS, 1-1/2" NPT PORTS & 15/16" SOLID SHAFT	869.34 A
1502N	62	200	1000	NI-RESIST, 6-ROLLER PUMP WITH SUPER ROLLERS, BUNA N SEALS, 1-1/2" NPT PORTS & 15/16" SOLID SHAFT	DISCONTINUED
1502XL	62	200	1000	SILVERCAST, 6-ROLLER PUMP WITH SUPER ROLLERS, BUNA N SEALS, 1-1/2" NPT PORTS & 15/16" SOLID SHAFT	1,977.81 A
1700C	45	200	1000	CAST IRON, 5-ROLLER PUMP WITH SUPER ROLLERS, VITON SEALS, 1" NPT PORTS & 15/16" SOLID SHAFT	566.36 A
1700N	45	200	1000	NI-RESIST, 5-ROLLER PUMP WITH SUPER ROLLERS, VITON SEALS, 1" NPT PORTS & 15/16" SOLID SHAFT	DISCONTINUED
1700XL	45	200	1000	SILVERCAST 5-ROLLER PUMP WITH SUPER ROLLERS, VITON SEALS, 1" NPT PORTS & 15/16" SOLID SHAFT	1,578.68 A
4001C	9	150	1800	CAST IRON, 4-ROLLER PUMP WITH SUPER ROLLERS, VITON SEALS, 3/4" NPT PORTS & 5/8" SOLID SHAFT	265.38 A
4001N-EH	10.4	30	1900	12V MOTOR DRIVEN, NI-RESIST, 4-ROLLER PUMP WITH SUPER ROLLERS, VITON SEALS, 3/4" PORTS & 1/2" HOLLOW SHAFT	1,012.05 A
4101C	7	150	2600	CAST IRON, 4-ROLLER PUMP WITH SUPER ROLLERS, VITON SEALS, 3/4" NPT PORTS & 5/8" SOLID SHAFT	252.90 A
4101N-EH	7.5	50	1900	12V MOTOR DRIVEN, NI-RESIST, 4-ROLLER PUMP WITH SUPER ROLLERS, VITON SEALS, 3/4" PORTS & 1/2" HOLLOW SHAFT	997.80 A
6500C	22	300	1200	CAST IRON, 6-ROLLER PUMP WITH SUPER ROLLERS, VITON SEALS, 3/4" NPT PORTS & 5/8" SOLID SHAFT	273.87 A
6500N	22	300	1000	NI-RESIST, 6-ROLLER PUMP WITH SUPER ROLLERS, VITON SEALS, 3/4" NPT PORTS & 5/8" SOLID SHAFT	627.19 A
7560C	22	300	1000	CAST IRON, 8-ROLLER PUMP WITH SUPER ROLLERS, VITON SEALS, 3/4" NPT PORTS & 15/16" SOLID SHAFT	357.77 A
7560N	22	300	1000	NI-RESIST, 8-ROLLER PUMP WITH SUPER ROLLERS, VITON SEALS, 3/4" NPT PORTS & 15/16" SOLID SHAFT	711.54 A
7700C	22.4	200	800	CAST IRON, 7-ROLLER PUMP WITH SUPER ROLLERS, VITON SEALS, 3/4" NPT PORTS & 15/16" SOLID SHAFT	363.59 A
7700N	22.4	200	800	NI-RESIST, 7-ROLLER PUMP WITH SUPER ROLLERS, VITON SEALS, 3/4" NPT PORTS & 15/16" SOLID SHAFT	DISCONTINUED

HYPRO PTO ADAPTERS

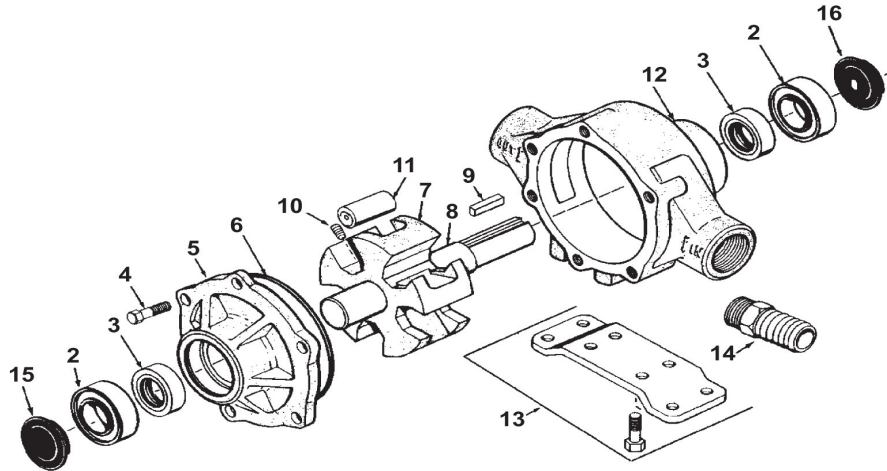


**HYPRO HEAVY DUTY PTO COUPLERS DESIGNED TO QUICKLY ATTACH ROLLER PUMPS SECURELY TO PTO SHAFTS.
MODELS FOR BOTH 540 & 1000 RPM PTO SHAFTS.**

PTO (IN)	QUICK DISCONNECT				PRICE
	RPM	SHAFT DIA (IN)	PART #	FITS PUMP	
1-3/8"	540	5/8"	1321-0006	6500	79.53 A
1-3/8"	540	15/16"	1321-0007	1502, 1700, 7560, 7700	86.11 A
1-3/8"	1000	5/8"	1321-0008	6500	DISCONTINUED 56.24 A
1-3/8"	1000	15/16"	1321-0009	1502, 1700, 7560	94.45 A
1-3/8"	MULTI	5/8"	1321-0012	6500	79.53 A
1-3/8"	MULTI	15/16"	1321-0013	1502, 1700, 7560, 7700	84.73 A
PTO (IN)	STANDARD				PRICE
	RPM	SHAFT DIA (IN)	PART #	FITS PUMP	
1-3/8"	540	5/8"	1320-0022	6500	42.70 A
1-3/8"	540	15/16"	1320-0076	1500, 1700, 7560, 7700	78.49 A
1-3/8"	540	5/8"	1320-0077	6500	75.71 A
1-3/8"	1000	15/16"	1320-0078	1500, 1700, 7560	75.00 A
1-3/8"	1000	5/8"	1320-0079	4000, 6500	57.63 A
1-3/4"	1000	15/16"	1320-0080	1500, 1700, 7560	109.72 A
1-3/8"	540	1"	1320-0081	1200	113.89 A

* DISCONTINUED - LIMITED QUANTITIES

HYPRO ROLLER PUMP REPAIR PARTS



1500 SERIES

1700 SERIES

1500 SERIES				
Ref No.	Qty Req'd	Part Number	Description	Price
2	2	2008-0001	Sealed Ball Bearing	22.33 A
3	2	2112-0001	Buna-N Seal (Std)	22.50 A
3	2	2112-0003	Viton Seal	24.60 A
4	6	2210-0026	Bolt	1.49 A
5	1	*0200-1500C	*Endplate (Cast Iron) w/Seal	N/A
5	1	*0200-1500N	*Endplate (Ni-Resist) w/Seal	N/A
5	1	*0200-1500X	*Endplate (SilverCast) w/Seal	N/A
6	1	1720-0003	O-ring Gasket for Endplate	4.38 A
7	1	0300-1502C	Rotor (Cast Iron) w/Shaft (Std)	377.68 A
7	1	*0300-1502N	*Rotor (Ni-Resist) w/Shaft (Std)	N/A
7	1	*0300-1502X	*Rotor (SilverCast) w/Shaft (Std)	N/A
7A	1	0301-1502C	Rotor (Cast Iron) w/Shaft (Rev)	381.44 A
7A	1	*0301-1502N	*Rotor (Ni-Resist) w/Shaft (Rev)	N/A
7A	1	0301-1502X	Rotor (SilverCast) w/Shaft (Rev)	1,116.92 A
8	1	0500-1502	Shaft Only	93.75 A
9	1	1610-0005	Key	2.39 A
10	1	2230-0018	Set Screw	1.14 A
11	6	1005-0005	Super Roller (Std)	11.97 A
12	1	*0100-1500C	*Body (Cast Iron) w/Seal	N/A
12	1	*0100-1500N	*Body (Ni-Resist) w/Seal	N/A
12	1	*0100-1500X	*Body (SilverCast) w/Seal	N/A
13	1 kit	3420-0004	Base Kit Includes: (1) Base, (4) Bolts, (4) Lockwashers	127.64 A
15	1	2300-0020	Bearing Cover	2.19 A
16	1	2300-0022	Shaft Bearing Cover	2.19 A

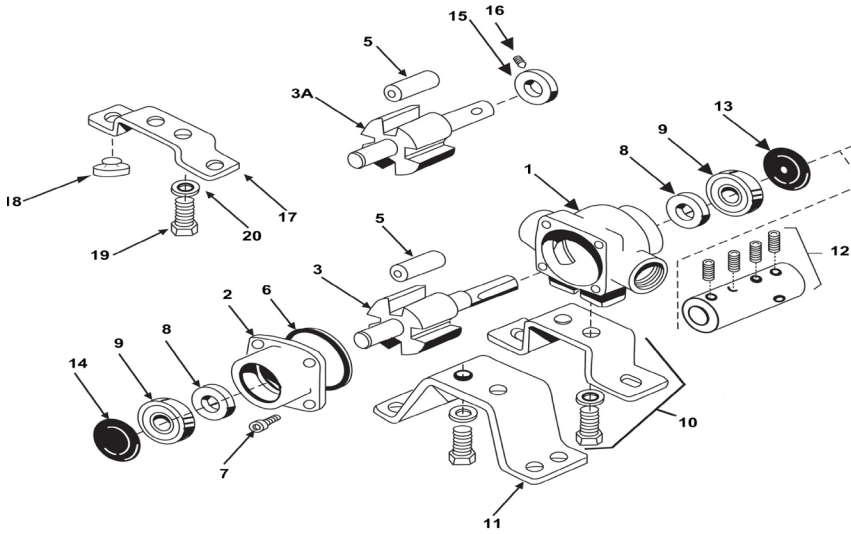
1700 SERIES				
Ref No.	Qty Req'd	Part Number	Description	Price
2	2	2008-0001	Sealed Ball Bearing	22.33 A
3	2	2112-0001	Buna-N Seal (Std)	22.50 A
3	2	2112-0003	Viton Seal	24.60 A
4	6	2210-0005	Bolt	1.11 A
5	1	*0200-1700C	*Endplate (Cast Iron) w/Seal	N/A
5	1	*0200-1700N	*Endplate (Ni-Resist) w/Seal	N/A
5	1	*0200-1700X	*Endplate (SilverCast) w/Seal	N/A
6	1	1720-0099	O-ring Gasket for Endplate	3.01 A
7	1	0300-1700C	Rotor (SilverCast) w/Shaft (Std)	253.44 A
7	1	*0300-1700N	*Rotor (Ni-Resist) w/Shaft (Std)	N/A
7	1	*0300-1700X	*Rotor (SilverCast) w/Shaft (Std)	N/A A
7A	1	0301-1700C	Rotor (SilverCast) w/Shaft (Rev)	243.52 A
7A	1	*0301-1700N	*Rotor (Ni-Resist) w/Shaft (Rev)	N/A
7A	1	0301-1700X	Rotor (SilverCast) w/Shaft (Rev)	834.78 A
8	1	0500-1502	Shaft Only	93.75 A
9	1	1610-0005	Key	2.39 A
10	1	2230-0018	Set Screw	1.14 A
11	5	1005-0005	Super Roller (Std)	11.97 A
12	1	*0100-1700C	*Body (Cast Iron) w/Seal	N/A
12	1	*0100-1700N	*Body (Ni-Resist) w/Seal	N/A
12	1	*0100-1700X	*Body (SilverCast) w/Seal	N/A
13	1 kit	3420-0004	Base Kit Includes: (1) Base, (4) Bolts, Lockwashers	127.64 A
14	1	BHB114	1-1/4" Hose Barb	2.88 D
15	1	2300-0020	Bearing Cover	2.19 A
16	1	2300-0022	Shaft Bearing Cover	2.19 A

* DISCONTINUED - LIMITED QUANTITIES



HYPRO ROLLER PUMP REPAIR PARTS

4000 SERIES



REPAIR PARTS KIT:

CONSISTS OF::

(4) REF 5 SUPER ROLLERS

(1) REF 6 O-RING GASKET

(2) REF 8 VITON SEALS

PART# 3430-0390 \$54.16 A

4001					4101				
Ref #	Qty	Part #	Description	Price	Ref #	Qty	Part #	Description	Price
1	1	*0100-4001C	*Body (Cast Iron) w/Std Seal	N/A	1	1	*0100-4101C	*Body (Cast Iron) w/Std Seal	N/A
1	1	*0100-4001N	*Body (Ni-Resist) w/Std Seal	N/A	1	1	*0100-4101N	*Body (Ni-Resist) w/Std Seal	N/A
2	1	*0200-4001C	*Endplate (Cast Iron) w/Std Seal	N/A	2	1	*0200-4101C	*Endplate (Cast Iron) w/Std Seal	N/A
2	1	*0200-4001N	*Endplate (Ni-Resist) w/Std Seal	N/A	2	1	*0200-4101N	*Endplate (Ni-Resist) w/Std Seal	N/A
3	1	*0300-4001C	*Rotor (Cast Iron)/Shaft Assmby	N/A	3	1	*0300-4101C	*Rotor (Cast Iron)/Shaft Assmby	N/A
3	1	3430-0765	Rotor (Ni-Resist)/Shaft/Key	129.22 A	3	1	3430-0766	Rotor (Ni-Resist)/Shaft/Key	168.26 A
3A	1	3430-0780	Kit Hollow Shaft	127.96 A	3A	1	3430-0781	Kit Hollow Shaft	161.52 A
5	4	1005-0002	Super Rollers (Std)	5.72 A	5	4	1005-0002	Super Rollers (Std)	5.72 A
6	1	1720-0104	O-ring Gasket for Endplate	1.42 A	6	1	1720-0104	O-ring Gasket for Endplate	1.42 A
7	4	2220-0018	Endplate Screw	1.14 A	7	4	2220-0018	Endplate Screw	1.32 A
8	2	2107-0002	Viton Seal (Std)	15.52 A	8	2	2107-0002	Viton Seal (Std)	15.52 A
9	2	2000-0010	Ball Bearing	13.48 A	9	2	2000-0010	Ball Bearing	13.48 A
10	1	3420-0024	Base Kit (3-1/2" shaft centerline)	62.50 A	10	1	3420-0024	Base Kit (3-1/2" shaft centerline)	62.50 A
11	1	*3420-0025	*Base Kit (4-3/16" shaft centerline)	N/A	11	1	*3420-0025	*Base Kit (4-3/16" shaft centerline)	N/A
12	1 kit	1320-0016	Adapter w/screws (5/8" x 5/8")	58.33 A	12	1 kit	1320-0016	Adapter w/screws (5/8" x 5/8")	58.33 A
12	1 kit	1320-0015	Adapter (5/8" x 3/4")	59.71 A	12	1 kit	1320-0015	Adapter (5/8" x 3/4")	59.71 A
13	1	2300-0023	Shaft Bearing Cover	2.29 A	13	1	2300-0023	Shaft Bearing Cover	2.29 A
14	1	2300-0021	Bearing Cover	2.19 A	14	1	2300-0021	Bearing Cover	2.19 A
15	1	1420-0001	Locking Collar	8.88 A	15	1	1420-0001	Locking Collar	8.88 A
16	1	2230-0001	Set Screw	2.83 A	16	1	2230-0001	Set Screw	2.83 A
17	1	1510-0054	Base	20.60 A	17	1	1510-0054	Base	20.60 A
18	2	1450-0003	Bumper	2.04 A	18	2	1450-0003	Bumper	2.04 A
19	2	2210-0003	Bolt	1.45 A	19	2	2210-0003	Bolt	1.45 A
20	2	2260-0002	Lock Washer	1.42 A	20	2	2260-0002	Lock Washer	1.42 A

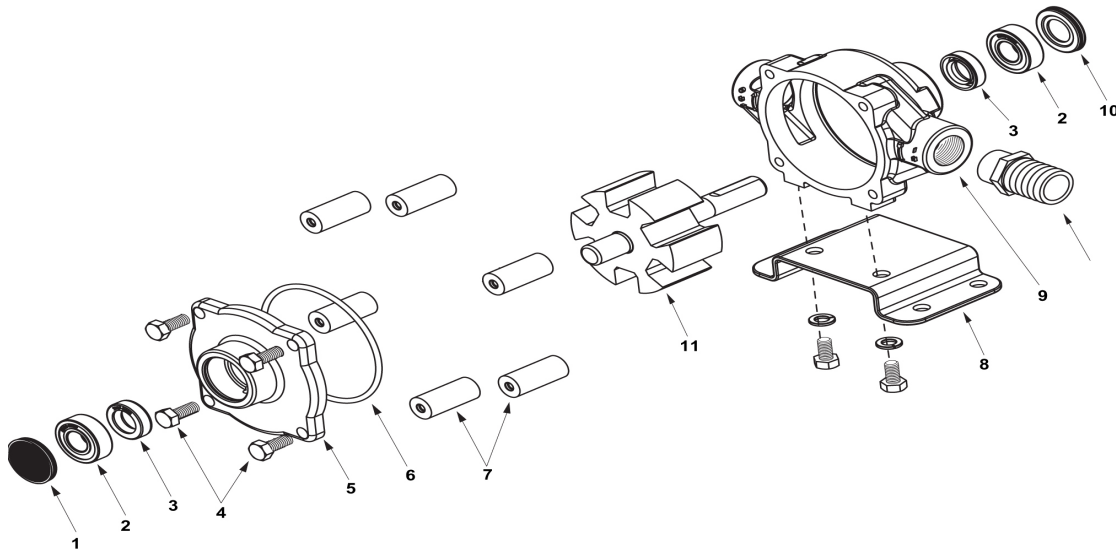
* DISCONTINUED - LIMITED QUANTITIES



HYPRO ROLLER PUMP REPAIR PARTS



6500 SERIES



REPAIR PARTS KIT

CONSISTS OF:

(6) REF 7 SUPER ROLLER

(1) REF 6 O-RING

(2) REF 3 VITON SEALS

PART# 3430-0380 \$63.90 A

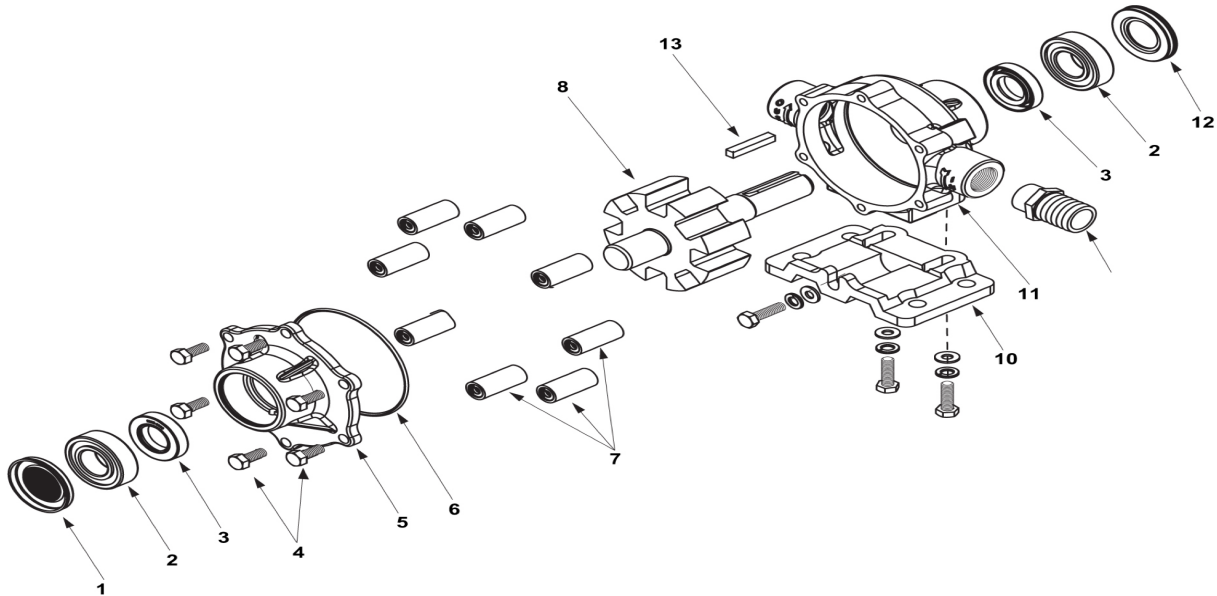
Ref #	Req'd	Part #	Description	Price
1	1	2300-0021	Bearing Cover	2.19 A
2	2	2000-0010	Sealed Ball Bearing	13.48 A
3	2	2107-0002	Viton Seal (Std)	15.52 A
4	4	2210-0004	Bolts	1.32 A
5	1	0200-6600C	Endplate (Cast Iron) w/Seal	88.57 A
5	1	*0200-6600N	*Endplate (Ni-Resist) w/Seal	N/A
6	1	1720-0008	O-ring Gasket for Endplate	2.23 A
7	6	1005-0004	Super Roller (Std)	5.47 A
8	1 kit	3420-0023	Base Kit: (1) Base, (2) Bolts, (2) Washers	53.13 A
9	1	*0100-6600C	*Body (Cast Iron) w/Seal	N/A
9	1	0100-6600N	Body (Ni-Resist) w/Seal	497.28 A
	1	BHB100	1" Hose Barb	1.98 D
10	1	2300-0023	Shaft Bearing Cover	2.29 A
11	1	*0300-6600C	*Rotor Assembly (Cast Iron)	N/A
11	1	3430-0767	Rotor Assembly (Ni-Resist)	277.24 A

* DISCONTINUED - LIMITED QUANTITIES



HYPRO ROLLER PUMP REPAIR PARTS

7560 SERIES



REPAIR PARTS KIT

CONSISTS OF:

(8) REF 7 SUPER ROLLERS

(1) REF 6 O-RING

(2) REF 3 VITON SEALS

PART# 3430-0381 \$91.33 A

REPAIR PARTS KIT

CONSISTS OF:

(8) REF 7 POLYPROPYLENE ROLLERS

(1) REF 6 O-RING

(2) REF 3 VITON SEALS

PART# 3430-0167 \$86.11 A

Ref #	Req'd	Part #	Description	Price
1	1	2300-0020	Bearing Cover	2.19 A
2	2	2008-0001	Sealed Ball Bearing	22.33 A
3	2	2112-0003	Viton Seal (Std)	24.60 A
4	6	2210-0004	Bolt	1.32 A
5	1	0204-7500C	Endplate (Cast Iron) with Seal	113.06 A
5	1	*0204-7500N	*Endplate (Ni-Resist) with Seal	N/A
6	1	1720-0014	O-ring Gasket for Endplate	3.30 A
7	8	1005-0004	Super Roller (Std)	5.47 A
8	1	3430-0745	Roto Assembly (Std, N & XL)	312.26 A
10	1 kit	3420-0003	Base Kit-Includes: (1) Base, (3) Bolts, (3) Washers	83.34 A
11	1	*0104-7500C	*Body (Cast Iron) with Seal	N/A
11	1	*0104-7500N	*Body (NiResist) with Seal	N/A
12	1	2300-0022	Shaft Bearing Cover	2.19 A
13	1	1610-0005	Key	2.39 A
13	1	1610-0059	Key (Stainless Steel)	6.65 A

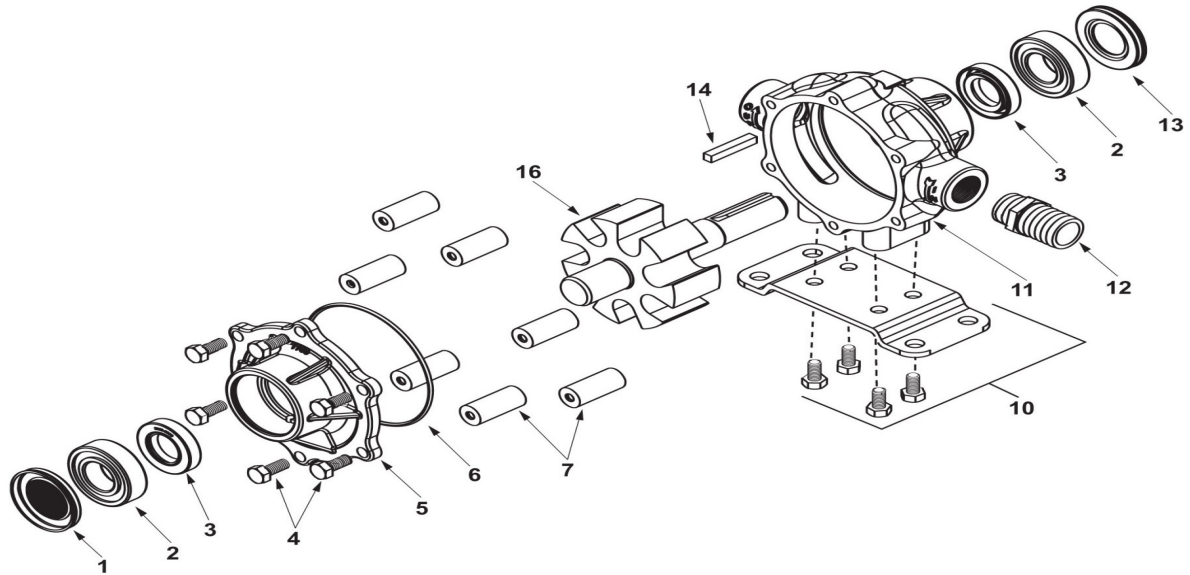
* DISCONTINUED - LIMITED QUANTITIES



HYPRO ROLLER PUMP REPAIR PARTS



7700 SERIES



REPAIR PARTS KIT

CONSISTS OF:

- (8) REF 7 SUPER ROLLERS
- (1) REF 6 O-RING
- (2) REF 3 VITON SEALS

PART# 3430-0384 \$85.76 A

REPAIR PARTS KIT

CONSISTS OF:

- (8) REF 7 POLYPROPYLENE ROLLERS
- (1) REF 6 O-RING
- (2) REF 3 VITON SEALS

PART# 3430-0167 \$86.11 A

Ref #	Req'd	Part #	Description	Price
1	1	2300-0020	Bearing Cover	2.19 A
2	2	2008-0001	Sealed Ball Bearing	22.33 A
3	2	2112-0003	Viton Seal (std)	24.60 A
4	6	2210-0004	Bolts	1.32 A
5	1	0200-7700C	Endplate (Cast Iron) with Seal	N/A
5	1	0200-7700N	Endplate (Ni-Resist) with Seal	N/A
6	1	1720-0014	O-ring Gasket for Endplate	3.30 A
7	7	1005-0004	Super Roller (Std)	5.47 A
10	1	3420-0010	Base Kit Includes: (1) Base, (4) Bolts	84.05 A
11	1	*0100-7700C	*Body (Cast Iron) with Seal	N/A
11	1	*0100-7700N	*Body (Ni-Resist) with Seal	N/A
12	1	BHB100	Shaft Bearing Cover	1.98 D
13	1	2300-0022	Shaft Bearing Cover	2.19 A
14	1	1610-0005	Key	2.39 A
16	1	*0300-7700C	*Rotor Assembly (Cast Iron)	N/A
16	1	*0300-7700N	*Rotor Assembly (Ni-Resist)	N/A

* DISCONTINUED - LIMITED QUANTITIES



HYPRO SERIES 9200 PEDESTAL PUMPS

**HYPRO PEDESTAL PUMPS OFFER
INSTALLATION VERSATILITY. THE PEDESTAL
MOUNTING BASE CAN BE USED FOR DIRECT
DRIVE OR BELT AND PULLEY DRIVE WITH
GAS OR ELECTRIC MOTORS ALSO AVAILABLE
WITH ELECTRIC CLUTCH**



9202C



9203C

**HYPRO CAST IRON PEDESTAL PUMP OUTLET CAN
BE ROTATED TO FOUR DIFFERENT POSITIONS. CAST
IRON MODELS ARE EPOXY COATED WITH SOLID
STAINLESS STEEL SHAFTS, FACTORY LUBRICATED
BEARINGS AND NYLON IMPELLERS.**

**HYPRO POLYPROPYLENE
PEDESTAL PUMPS ARE
MANUFACTURED FROM GLASS-FILLED
POLYPROPYLENE WITH SOLID STAINLESS
STEEL SHAFTS AND VITON SEALS STANDARD.**

PART NUMBER	MAX GPM	MAX PSI	MAX RPM	CAST IRON & POLY PEDESTAL PUMP DESCRIPTION	PRICE
9202C	105	170	6000	Pedestal mount, cast iron pump with 5/8" solid shaft and Viton shaft seal. 1-1/4" inlet, 1" outlet NPT ports.	643.18 A
9203C	140	170	6000	Pedestal mount, cast iron pump with 5/8" solid shaft and Viton shaft seal. 1-1/2" inlet, 1-1/4" outlet NPT ports.	651.12 A
9203C-R	140	170	6000	Pedestal mount, clockwise rotation cast iron pump with 5/8" solid shaft and Viton shaft seal. 1-1/2" inlet, 1-1/4" outlet NPT ports.	666.97 A
9205C	180	190	4200	Pedestal mount, cast iron pump with 7/8" solid keyed shaft and Viton shaft seal. 2" inlet, 1-1/2" outlet NPT ports.	1,632.86 A
9203P-S	100	80	4200	Pedestal mount, poly pump designed for direct drive or belt & pulley with an electric or gas motor, 7/8" solid keyed stainless shaft. 1-1/2"x1-1/4"	807.37 A
CAST IRON & POLY PEDESTAL PUMP WITH CLUTCH					
9262-C-C	88	124	5000	12v HD clutch with 5" diameter, counterclockwise rotation cast iron pump with A-section pulley. 1-1/4" inlet, 1" outlet NPT ports.	1,221.82 A
9263-C-C	140	124	5000	12v HD clutch with 5" diameter, counterclockwise rotation cast iron pump with A-section pulley. 1-1/2" inlet, 1-1/4" outlet NPT ports.	1,227.49 A
9263C-CR	140	124	5000	12v HD clutch with 5" diameter, clockwise rotation cast iron pump with A-section pulley. 1-1/2" inlet, 1-1/4" outlet NPT ports.	1,241.07 A
REPLACEMENT CLUTCHES					
2526-0011			5000	FITS: 9203P, 9253P-C, 9500P-S, 9205C, 9205C-SP	1,360.33 P

CAST AND POLY MODELS

HYPRO SERIES 9300 HYDRAULIC DRIVE PUMPS



9303C



9303P



9306C

PART NUMBER	MAX GPM	MAX PSI	HYDRAULIC DRIVE CAST IRON & POLY PUMPS	
			DESCRIPTION	PRICE
9303C-HM1C	114	130	13 gpm hydraulic motor/CAST IRON pump for open/closed system NPT threaded ports, 1-1/2" inlet, 1-1/4" outlet	1,443.74 A
9303C-HM2C	97	95	6 gpm hydraulic motor/CAST IRON pump for open/closed system NPT threaded ports, 1-1/2" inlet, 1-1/4" outlet	1,443.74 A
9303C-HM3C	125	98	24 gpm hydraulic motor/CAST IRON pump for open/closed system NPT threaded ports, 1-1/2" inlet, 1-1/4" outlet	1,535.48 A
9303C-HM4C	115	93	7 gpm hydraulic motor/CAST IRON pump for open/closed system NPT threaded ports, 1-1/2" inlet, 1-1/4" outlet	1,443.74 A
9303C-HM5C	147	145	16 gpm hydraulic motor/CAST IRON pump for open/closed system NPT threaded ports, 1-1/2" inlet, 1-1/4" outlet	1,443.74 A
9303C-HM1C-U	114	130	13 gpm hydraulic motor/CAST IRON pump for open/closed system NPT threaded ports, 1-1/2" inlet, 1-1/4" outlet w/220 x 200 flanges	1,506.03 A
9303C-HM4C-U	115	93	7 gpm hydraulic motor/CAST IRON pump for open/closed system NPT threaded ports, 1-1/2" inlet, 1-1/4" outlet w/220 x 200 flanges	1,506.03 A
9303P-HM1C	110	130	13 gpm hydraulic motor/POLY pump for open/closed system NPT threaded ports, 1-1/2" inlet, 1-1/4" outlet	1,508.31 A
9303P-HM2C	82	95	6 gpm hydraulic motor/POLY pump for open/closed system NPT threaded ports, 1-1/2" inlet, 1-1/4" outlet	1,508.31 A
9303P-HM4C	82	84	7 gpm hydraulic motor/POLY pump for open/closed system NPT threaded ports, 1-1/2" inlet, 1-1/4" outlet	1,508.31 A
9303P-HM5C	113	120	16 gpm hydraulic motor/POLY pump for open/closed system NPT threaded ports, 1-1/2" inlet, 1-1/4" outlet	1,508.31 A
9306C-HM1C	207	127	13 gpm hydraulic motor/CAST IRON pump for open/closed system NPT threaded ports, 2" inlet, 1-1/2" outlet	1,674.76 A
9306C-HM5C	212	140	17 gpm hydraulic motor/CAST IRON pump for open/closed system NPT threaded ports, 2" inlet, 1-1/2" outlet	1,674.76 A
9306C-HM5C-BU	212	140	17 gpm hydraulic motor/CAST IRON pump for open/closed system NPT threaded ports, 2" inlet, 1-1/2" outlet (silicon carbide seal)	1,878.59 A
9306C-HM1C-U	207	127	13 gpm hydraulic motor/CAST IRON pump for open/closed system ports 220 x 220 flange	1,735.91 A

HYPRO DIAPHRAGM PUMPS

HYPRO LOW PRESSURE DIAPHRAGM PUMPS ARE AN EXCELLENT CHOICE FOR A POSITIVE DISPLACEMENT PUMP. AVAILABLE IN A WIDE RANGE FOR GROUND RIGS WHEN SPRAYING HERBICIDES, PESTICIDES AND LIQUID FERTILIZERS. PUMPS LISTED ARE LOW PRESSURE PUMPS. MEDIUM AND HIGH PRESSURE PUMPS ARE ALSO AVAILABLE CALL FOR PRICING.



9910-D115 LOW PRESSURE PUMP

PART NUMBER	MAX GPM	MAX PSI	MAX RPM	HYPRO LOW-PRESSURE DIAPHRAGM PUMPS DESCRIPTION	PRICE
9910-D70	19	290	550	2-DIAPHRAGM PUMP 1-1/4" HB INLET, 3/4" HB OUTLET. SELECT SHAFT KIT FOR DESIRED DRIVE.	1,325.00 A
9910-D115	30.1	290	550	3-DIAPHRAGM PUMP 1-1/2" HB INLET, 1" HB OUTLET. SELECT SHAFT KIT FOR DESIRED DRIVE.	1,985.00 A
9910-D135	34.8	290	550	3-DIAPHRAGM PUMP 1-1/2" HB INLET, 1" HB OUTLET. 1-3/8" X 6 SPLINE MALE SHAFT	1,881.28 A
9910-D160	42.5	290	550	4-DIAPHRAGM PUMP 2" HB INLET, 1-1/2" HB OUTLET. 1-3/8" X 6 SPLINE MALE SHAFT	3,280.00 A
9910-D250	66	290	550	6-DIAPHRAGM PUMP 2" HB INLET, 1-1/2" HB OUTLET. 1-3/8" X 6 SPLINE MALE SHAFT	4,305.00 A

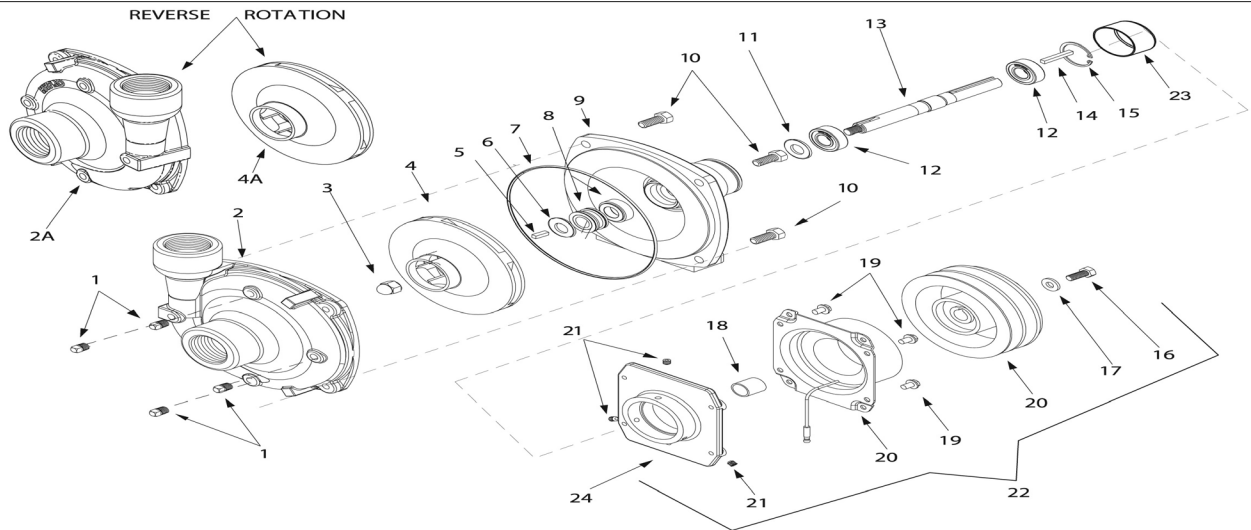
6 SPLINE AND SOLID SHAFT KITS

1-3/8" 6 SPLINE FEMALE PTO SHAFT KIT		
KIT NUMBER	FITS PUMP MODEL	PRICE
9910-KIT1708	9910-D70 & 9910-D115	350.00 A
KIT INCLUDES FEMALE PTO COUPLER AND RETAINING CLAMP, TORQUE ARM & MTG BRACKET, CHAINS AND NECESSARY HARDWARE		
1-3/8" 6 SPLINE MALE PTO SHAFT KIT		
KIT NUMBER	FITS PUMP MODEL	PRICE
9910-KIT1710	9910-D70 & 9910-D115	392.51 A
KIT INCLUDES MALE PTO SHAFT ADAPTER, MTG BRACKET, AND NECESSARY HARDWARE		
1" MALE SOLID SHAFT KIT		
KIT NUMBER	FITS PUMP MODEL	PRICE
9910-KIT1711	9910-D70 & 9910-D115	325.00 A
KIT INCLUDES MALE PTO SHAFT ADAPTER, MTG BRACKET, AND NECESSARY HARDWARE		

HYPRO CAST IRON PEDESTAL PUMP REPAIR PARTS



9202C, 9203C, 9252C, 9253C 9203C-R & 9253C-R

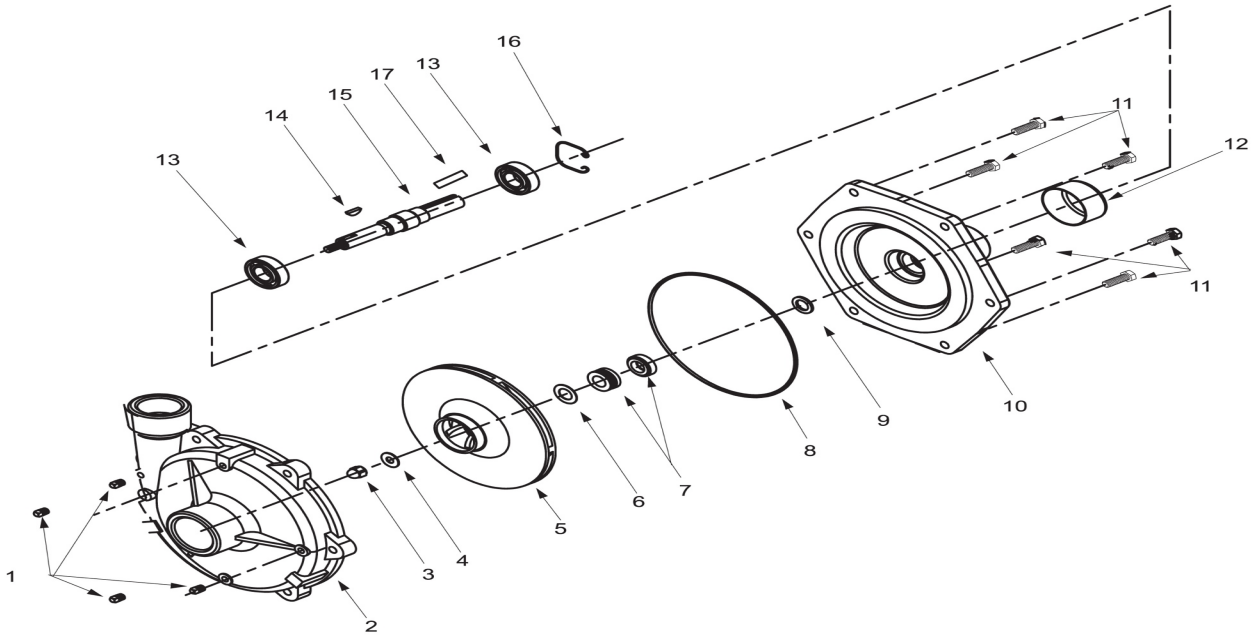


Ref	Qty	Part #	Description	Price
1	4	PL18	Drain Plug Poly	0.66 D
2	1	0150-9000C	Pump Casting	312.55 A
2A	1	0152-9000C	Pump Casting REVERSE	293.84 A
3	1	2253-0002	Impeller Nut	8.09 A
4	1	0402-9100P	Impeller	77.44 A
4A	1	0404-9100P	Impeller (Nyglass) REVERSE	104.65 A
5	1	1610-0015	Key	2.58 A
6	1	1700-0100	Gasket	6.87 A
7	1	1720-0083	O-Ring	4.97 A
8	1	2120-0008	Mechanical Seal	42.70 A
9	1	*0750-9200C3	Mounting Flange	234.28 A
10	4	2210.0020	Bolt	1.32 A
11	1	1410-0056	Slinger Ring	1.84 A
12	2	2000-0010	Ball Bearing	13.48 A
13	1	3430-0844	Pump Shaft	194.45 A
14	1	1600-0004	Key	N/A
15	1	1820-0013	Bearing Retainer	1.75 A
16	1	2210-0003	Bolt	1.45 A
17	1	2270-0092	Retaining Washer	11.58 A
18	1	1410-0107	Spacer	28.37 A
20	1	2526-0012	Clutch, 5" Dia W	956.54 A
21	3	2230-0001	Set Screw	2.83 A
22	1	3430-0592	Clutch Kit	1,107.80 A
25	1	1810-0036	Retaining Ring	7.48 A

* DISCONTINUED - LIMITED QUANTITIES

HYPRO CAST IRON PEDESTAL PUMP REPAIR PARTS

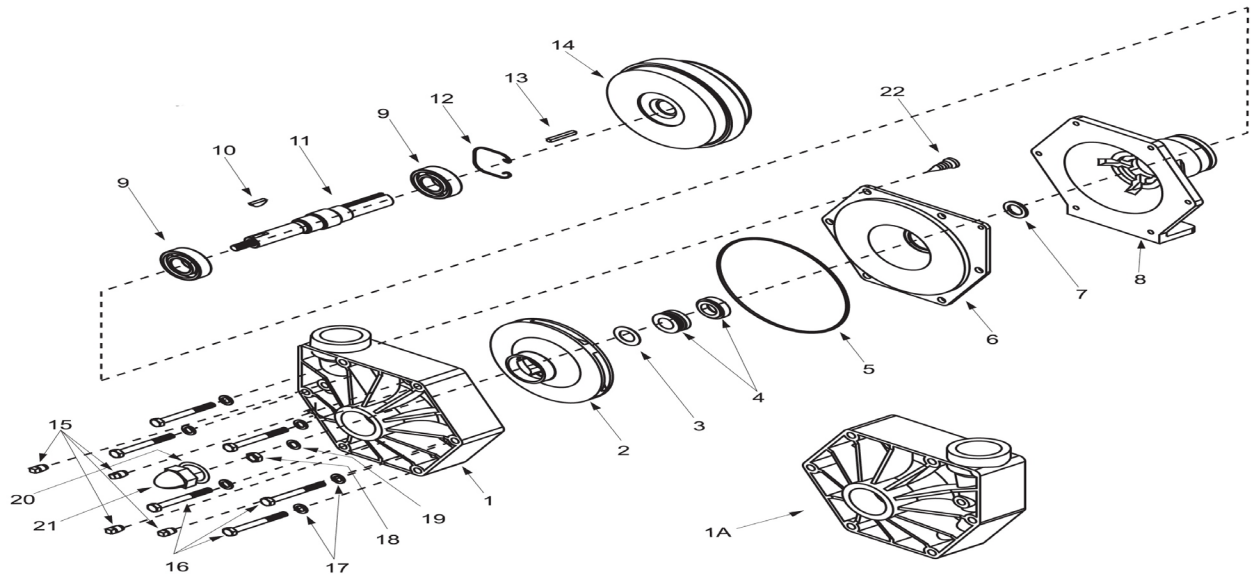
9205C



Ref	Qty	Part #	Description	Price
1	4	PL18	Drain Plug Poly	0.66 D
1	4	PL18S	Drain Plug Steel	3.26 D
2	1	0152-9200C	Pump Casing	650.06 A
3	1	2253-0002	Impeller Nut	8.09 A
4	1	2270-0071	Washer	1.75 A
5	1	0403-9200P	Impeller (Nylon)	443.10 A
6	1	1700-0101	Gasket	8.19 A
7	1	3430-0537	Mechanical Seal	76.22 A
8	1	1720-0180	O-ring	6.81 A
9	1	1410-0083	Slinger Ring	2.81 A
10	1	*0751-9200C	*Mounting Flange	568.23 A
11	6	2210-0086	Bolt	1.80 A
12	1	*2300-0035	*Protective Cover	DISCONTINUED
13	2	2008-0001	Bearing	22.33 A
14	1	*1610-0012	*Key	1.78 A
15	1	3430-0846	Shaft Kit	426.98 A
16	1	1820-0025	Bearing Retainer	5.61 A

* DISCONTINUED - LIMITED QUANTITIES

HYPRO POLY PEDESTAL PUMP REPAIR PARTS



9203P-S

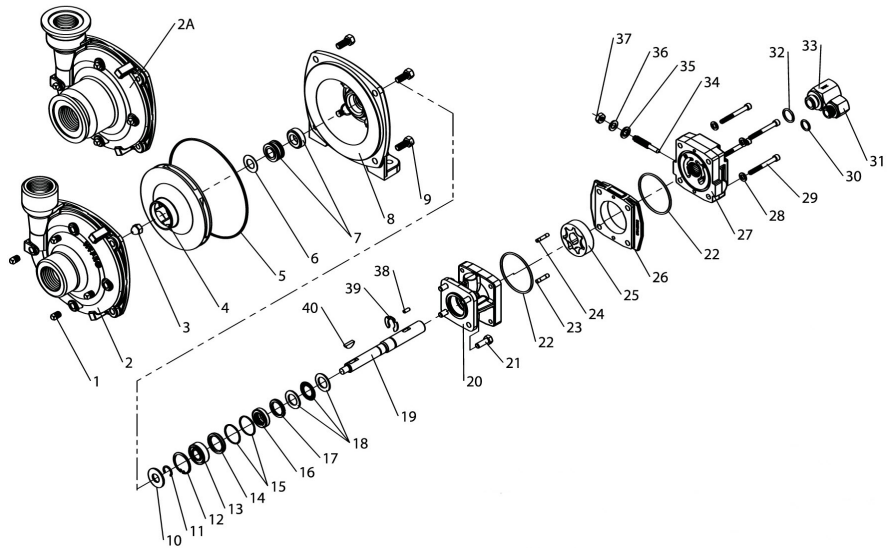
9500P-S

Ref	Qty	Part #	Description	Price
1	1	*0700-9000P	*Pump Casing (9203P-S, 9253P-C)	65.82 A
1A	1	0701-9500P	Pump Casing (9500P-S, 9553P-C)	72.57 A
2	1	0403-9000P	Impeller (Poly) 9203P-S, 9253P-C	86.46 A
2A	1	0402-9000P	Impeller (Poly) 9500P-S, 9553P-C	110.42 A
3	1	1700-0101	Gasket	8.19 A
4	1	3430-0333	Mechanical Seal	106.25 A
5	1	1721-0083	O-ring	23.72 A
6	1	0750-9000P	Back Cover (9203P-S, 9253P-C)	30.96 A
6A	1	0700-9500P	Back Cover (9500P-C, 9553P-C)	30.20 A
7	1	1410-0083	Slinger Ring	2.81 A
8	1	0702-9200C	Flange	359.76 A
9	2	2008-0001	Bearing	22.33 A
11	1	3430-0846	Shaft (316 Stainless Steel) Revd	426.98 A
12	1	1820-0025	Retaining Ring	5.61 A
13	1	1610-0004	Key	2.50 A
14	1	2526-0011	Clutch	1,360.33 A
15	4	2406-0016	Plug	12.13 A
16	6	2210-0087	Hex Head Bolt	1.75 A
17	6	2270-0041	Washer	1.53 A
18	1	2250-0051	Jam Nut	2.97 A
19	1	2270-0057	Washer	3.22 A
20	1	1700-0097	Gasket	10.84 A
21	1	2250-0052	Impeller Nut	2.31 A
22	1	2210-0088	Screw	1.53 A

* DISCONTINUED - LIMITED QUANTITIES

HYPRO HYDRAULIC PUMP REPAIR PARTS CAST IRON

9303C-HM1C
9303C-HM2C
9303C-HM3C
9303C-HM4C
9303C-HM5C



HYDRAULIC MOTOR PART #'S		
PART#	MOTOR	PRICE
2500-0081C	HM1	1,240.40 P
2500-0082C	HM2	1,240.40 P
2500-0083C	HM3	1,452.38 P
2500-0084C	HM4	1,240.40 P
2500-0085C	HM5	1,240.40 P

Ref	Qty	Part #	Description	Price
1	4	PL18	Drain/Vent Plug Poly	0.66 D
2	1	0150-9000C	*Pump Casing	312.55 A
2A	1	0153-9000C	Pump Casing (Universal Flange Model C-U)	345.86 A
3	1	3430-0825	Impeller Nut	40.81 A
4	1	0402-9100P	Impeller	77.44 A
5	1	1720-0083	O-ring	4.97 A
6	1	1700-0100	Rubber Gasket	6.87 A
8	1	0750-9300C	Mounting Flange	183.88 A
9	4	2210-0020	Hex Head Cap Screw	1.32 A
10	1	1410-0056	Slinger Ring	1.84 A
11	1	1810-0014	Snap Ring	1.53 A
12	1	1820-0013	Retainer Ring	1.75 A
13	1	2000-0010	Ball Bearing	13.48 A
14	1	1410-0131	Cartridge, Front	16.82 A
15	2	1720-0268	O-ring	1.96 A
16	1	3430-0748	Lip Seal	127.43 A
17	1	1410-0130	Seal Spacer	9.19 A
18	1	2029-0014	Thrust Bearing Assembly	43.76 A
19	1	3430-0850	Shaft (HM2C & HM4C)	344.46 A
19	1	3430-0852	Shaft (HM1C & HM5C)	250.01 A
19	1	3430-0855	Shaft (HM3C)	443.62 A
20	1	0150-2500C	Motor Body (Includes Needle Bearing)	189.83 A
21	4	2210-0005	Hex Head Cap Screw	1.11 A
22	2	1720-0110	O-ring	1.75 A
23	1	1600-0045	Dowel Pin (HM2C/HM4C)	20.64 A
23	1	1600-0044	Dowel Pin (HM1C/HM5C)	25.99 A
23	1	1600-0052	Dowel Pin (HM3C)	37.07 A
24	1	1600-0042	Dowel Pin (HM2C/HM4C)	20.64 A
24	1	1600-0037	Dowel Pin (HM1C/HM5C)	25.99 A
24	1	1600-0068	Dowel Pin (HM3C)	16.79 A

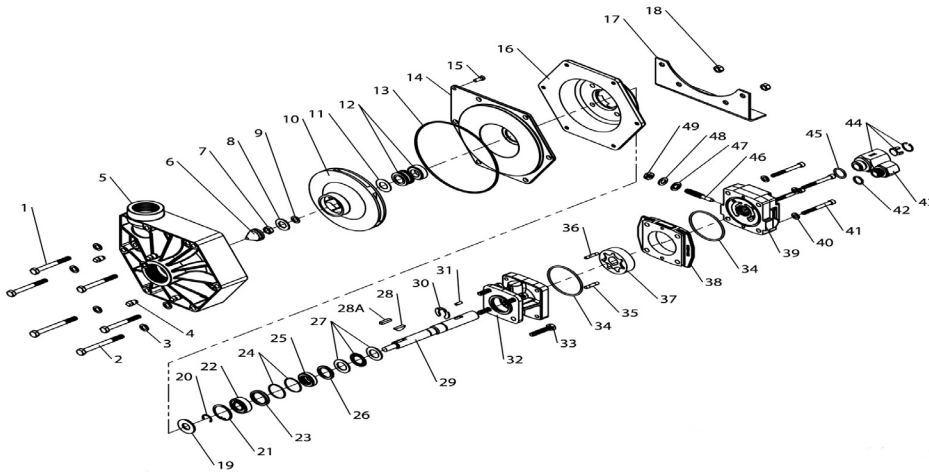
Ref	Qty	Part #	Description	Price
25	1	3900-0022	Gerotor (HM1C)	269.48 A
25	1	3900-0023	Gerotor (HM2C)	244.48 A
25	1	3900-0024	Gerotor (HM3C)	341.70 A
25	1	3900-0025	Gerotor (HM4C)	265.29 A
25	1	3900-0048	Gerotor (HM5C)	273.65 A
26	1	0701-2500C1	Gerotor Housing (HM2C) 1/4" Wide	254.20 A
26	1	0700-2500C1	Gerotor Housing (HM1C) 1/2" Wide	173.64 A
26	1	0703-2500C1	Gerotor Housing (HM4C) 5/16" Wide	166.69 A
26	1	0702-2500C1	Gerotor Housing (HM3C) 1" Wide	268.07 A
26	1	0704-2500C1	Gerotor Housing (HM5C) 5/8" Wide	212.53 A
27	1	0254-2500C2	Motor Endplate (Includes Needle Bearing)	201.01 A
28	4	2270-0039	Washer	1.47 A
29	4	2220-0045	Cap Screw (HM2C & HM4C)	2.08 A
29	4	2220-0021	Cap Screw (HM1C)	2.62 A
29	4	2220-0044	Cap Screw (HM3C)	4.52 A
29	4	2220-0032	Cap Screw (HM5C)	6.11 A
30	1	1720-0108	O-ring	1.53 A
31	1	3360-0021A	Pressure Port Adapter (includes o-ring)	32.10 A
33	1	3320-0051A	Tank Port Adapter (includes o-ring)	60.43 A
34	1	3220-0029	Bypass Adjusting Screw	12.47 A
35	1	1700-0047	Gasket	5.99 A
36	1	2270-0027	Washer	2.58 A
37	1	2250-0038	Lock Nut	1.47 A
38	1	1610-0032	Roll Pin (HM2C & HM4C)	11.17 A
38	1	1610-0031	Roll Pin (HM1C & HM5C)	6.32 A
38	1	1610-0055	Roll Pin (HM3C)	38.13 A
39	1	1810-0026	Snap Ring	1.53 A
40	1	1610-0012	*Woodruff Key (9303C)	1.78 A

*** DISCONTINUED - LIMITED QUANTITIES**

HYPRO HYDRAULIC PUMP REPAIR PARTS POLY



9303P-HM1C
9303P-HM2C
9303P-HM3C
9303P-HM4C
9303P-HM5C



HYDRAULIC MOTOR PART #'S		
PART#	MOTOR	PRICE
2500-0081C	HM1	1,240.40 P
2500-0082C	HM2	1,240.40 P
2500-0083C	HM3	1,452.38 P
2500-0084C	HM4	1,240.40 P
2500-0085C	HM5	1,240.40 P

Ref	Qty	Part #	Description	Price
1	4	2210-0087	Hex Head Cap Screw	1.75 A
2	2	2210-0016	Hex Head Cap Screw (Base only)	1.80 A
3	6	2270-0041	Washer	1.53 A
5	1	0700-9000P	*Pump Casing	65.82 A
6	1	2250-0052	Impeller Nut	2.31 A
7	1	2250-0051	Jam Nut	2.97 A
8	1	1700-0097	Gasket (viton)	10.84 A
9	1	2270-0057	Washer	3.22 A
10	1	0402-9100P	Impeller	77.44 A
11	1	1700-0100	Rubber Gasket	6.87 A
13	1	1721-0083	O-ring	23.72 A
14	1	0750-9300P	*Cover	29.27 A
15	1	2210-0088	Screw	1.53 A
16	1	0750-9006C	*Intermediate Flange	283.48 A
17	1	1510-0063	*Base Plate	50.99 A
18	2	2250-0008	Hex Nut	2.33 A
19	1	1410-0056	Slinger Ring	1.84 A
20	1	1810-0014	Snap Ring	1.53 A
21	1	1820-0013	Retaining Ring	1.75 A
22	1	2000-0010	Ball Bearing	13.48 A
23	1	1410-0131	Cartridge, Front	16.82 A
24	2	1720-0268	O-ring	1.96 A
26	1	1410-0130	Seal Spacer	9.19 A
27	1	2029-0014	Thrust Bearing Assembly	43.76 A
28A	1	1610-0053	Square Key (only HM3C)	2.58 A
29	1	3430-0850	Shaft (HM2C/HM4C)	344.46 A
29	1	3430-0852	Shaft (HM1C/HM5C)	250.01 A
29	1	3430-0855	Shaft (HM3C)	443.62 A
30	1	1810-0026	Snap Ring	1.53 A
31	1	1610-0032	Roll Pin (HM2C/HM4C)	11.17 A

Ref	Qty	Part #	Description	Price
31	1	1610-0031	Roll Pin (HM1C/HM5C)	6.32 A
31	1	1610-0055	Roll Pin (HM3C)	38.13 A
32	1	0150-2500C	Motor Body (includes needle bearing)	189.83 A
33	4	2210-0021	Hex Head Cap Screw	1.36 A
34	2	1720-0110	O-ring	1.75 A
35	1	1600-0045	Dowel Pin (HM2C/HM4C)	20.64 A
35	1	1600-0044	Dowel Pin (HM1C/HM5C)	25.99 A
35	1	1600-0052	Dowel Pin (HM3C)	37.07 A
36	1	1600-0068	Dowel Pin (HM3C)	16.79 A
36	1	1600-0042	Dowel Pin (HM2C/HM4C)	20.64 A
36	1	1600-0037	Dowel Pin (HM1C/HM5C)	25.99 A
37	1	3900-0022	Gerotor (HM1C)	269.48 A
37	1	3900-0023	Gerotor (HM2C)	244.48 A
37	1	3900-0024	Gerotor (HM3C)	341.70 A
37	1	3900-0025	Gerotor (HM4C)	265.29 A
37	1	3900-0048	Gerotor (HM5C)	273.65 A
38	1	0701-2500C1	Gerotor Housing (HM2C) 1/4" Wide	254.20 A
38	1	0700-2500C1	Gerotor Housing (HM1C) 1/2" Wide	173.64 A
38	1	0703-2500C1	Gerotor Housing (HM4C) 5/16" Wide	166.69 A
38	1	0702-2500C1	Gerotor Housing (HM3C) 1" Wide	268.07 A
38	1	0704-2500C1	Gerotor Housing (HM5C) 5/8" Wide	212.53 A
39	1	0254-2500C2	Motor End Plate (includes needle bearing)	201.01 A
40	4	2270-0039	Washer	1.47 A
41	4	2220-0032	Cap Screw (HM5C)	6.11 A
41	4	2220-0045	Cap Screw (HM2C/HM4C)	2.08 A
41	4	2220-0021	Cap Screw (HM1C)	2.62 A
41	4	2220-0044	Cap Screw (HM3C)	4.52 A
42	1	1720-0108	O-ring	1.53 A
43	1	3360-0021A	Pressure Port Adapter (includes o-ring)	32.10 A
44	1	3320-0051A	Tank Port Adapter (includes o-ring)	60.43 A
46	1	3220-0029	Bypass Adjusting Screw	12.47 A
47	1	1700-0047	Gasket	5.99 A
48	1	2270-0027	Washer	2.58 A
49	1	2250-0038	Lock Nut	1.47 A

* DISCONTINUED - LIMITED QUANTITIES



9306C, 9306S, 93076, 93079, 93100

John Deere

AN206042 = 9306C-HM5C-B
 AN206253 = 9306C-HM5C
 PM9306SHM5C = 9306S-HM5C

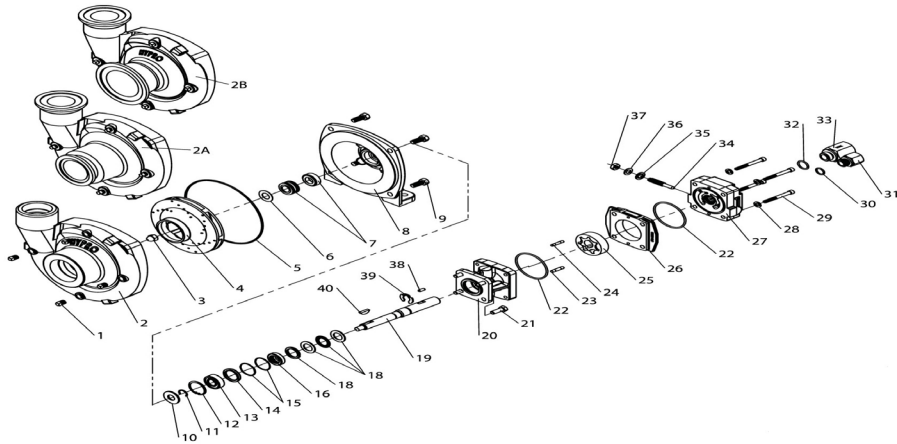
Rogator RG900, RG1100, RG1300
 9306C-HM5C3U

Versatile

SX240, SX280 = 9306C-HM5C3U

HAGIE

691249 = 9306C-HM5C-BU



HYDRAULIC MOTOR PART #
 2500-0081C (HM1C Models) \$1,240.40 P
 2500-0083C (HM3C Models) \$1,452.38 P
 2500-0085C (HM5C Models) \$1,240.40 P

SILICON CARBIDE SEAL KIT
 CONSISTS OF:
 (1) REF 7 MECHANICAL SEAL
 (1) REF 5 O-RING
 PART# 3430-0589 \$300.25 A

REPAIR PARTS KIT
 CONSISTS OF:
 (1) REF 7 MECHANICAL SEAL
 (1) REF 5 O-RING
 (1) REF 6 RUBBER GASKET
 PART# 3430-0332 \$83.01 A

REPAIR PARTS KIT
 CONSISTS OF:
 (1) REF 13 BALL BEARING
 (1) REF 16 MOTOR SHAFT SEAL
 (1) REF 35 THREADED SEAL GASKET
 (2) REF 15 CARTRIDGE SEAL O-RING
 (1) REF 36 WASHER
 (2) REF 22 MOTOR HOUSING O-RING
 (1) REF 30 & 32 PORT ADAPTER O-RINGS
 PART# 3430-0748 \$127.43 A

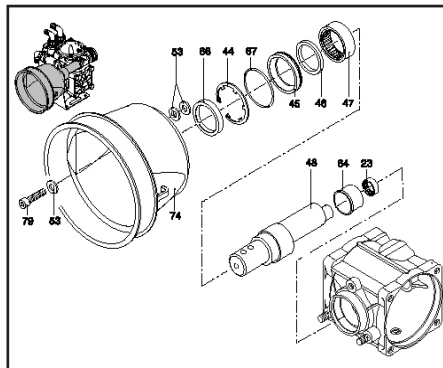
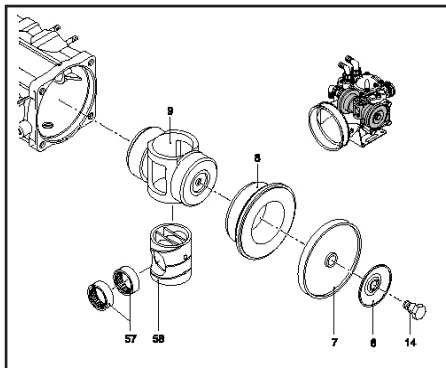
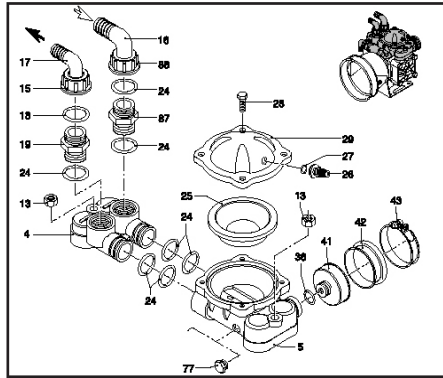
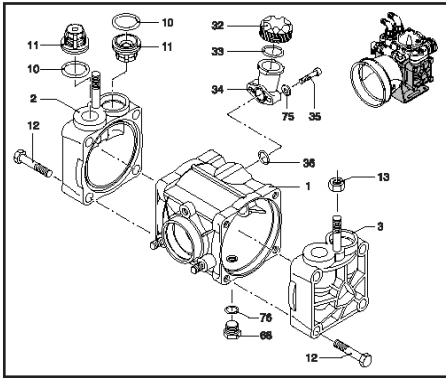
Ref #	Req'd	Part #	Description	Price
1	4	PLUG18	Drain/Vent Plug Poly	0.66 D
1	4	2406-0016	Drain/Vent Plug (9306S)	12.13 A
2	1	0154-9200C1	Pump Casing (9306C) Cast	494.47 A
2	1	0154-9200S1	*Pump Casing (9306S) Stainless Steel	1,013.59 A
2A	1	0157-9200C	Pump Casing (Universal Flange 220x220)	294.47 A
2B	1	0158-9200C	Pump Casing (Universal Flange 300x220 Cast)	612.73 A
2B	1	0158-9200S	Pump Casing (Universal Flange 300x220 S.S.)	1,326.70 A
3	1	2253-0002	Impeller Nut (9306C, 93079)	8.09 A
4	1	0401-9200P2	Impeller (Nylon Std. 9306C, 63079, 93100)	148.61 A
4	1	0407-9306P	Impeller (GXT Optional)	227.36 A
5	1	1720-0083	O-ring	4.97 A
6	1	1700-0100	Gasket, not used with Silicon Carbide Seal	6.87 A
7	1	3430-0589	Mechanical Seal (Silicon Carbide) (Std. 9306S, 93079)	300.25 A
			Sames as John Deere AN206043	
8	1	0750-9300C2	Mounting Flange (9306C, 93079) Cast	170.86 A
8	1	0756-9300S	Mounting Flange (9306S) Stainless Steel	424.15 A
9	4	2210-0020	Hex Head Cap Screw (9306C)	1.32 A
9	4	2210-0125	Hex Head Cap Screw (9306S)	2.58 A
10	1	1410-0056	Slinger Ring	1.84 A
11	1	1810-0014	Snap Ring	1.53 A
12	1	1820-0013	Retaining Ring	1.75 A
13	1	2000-0010	Ball Bearing	13.48 A
14	1	1410-0131	Cartridge, Front	16.82 A
15	2	1720-0268	O-ring	1.96 A
17	1	1410-0130	Seal Spacer	9.19 A
18	1	2029-0014	Thrust Bearing Assembly	43.76 A
19	1	3430-0850	Shaft (HM2c/HM4C) Prev 0531-2500	344.46 A
19	1	3430-0852	Shaft (HM1C/HM5C, 93079) Prev 0533-2500	250.01 A
19	1	3430-0855	Shaft (HM3C) Prev 0536-2500	443.62 A
20	1	0150-2500C	Motor Body (includes needle bearing)	189.83 A

Ref #	Req'd	Part #	Description	Price
21	4	2210-0005	Hex Head Cap Screw	1.11 A
22	2	1720-0110	O-Ring	1.75 A
23	1	1600-0044	Dowel Pin (HM1C/HM5C, 93079)	25.99 A
23	1	1600-0052	Dowel Pin (HM3C)	37.07 A
24	1	1600-0037	Dowel Pin (HM1C/HM5C, 93079)	25.99 A
24	1	1600-0068	Dowel Pin (HM3C)	16.79 A
25	1	3900-0022	Gerator (HM1C, 93079)	269.48 A
25	1	3900-0024	Gerator (HM3C)	341.70 A
25	1	3900-0048	Gerator (HM5C)	273.65 A
26	1	0700-2500C1	Gerator Housing (HM1C Models, 93079) 1/2" wide	173.64 A
26	1	0702-2500C1	Gerator Housing (HM3C Models) 1" wide	268.07 A
26	1	0704-2500C1	Gerator Housing (HM5C Models, 93076) 5/8" wide	212.53 A
27	1	0254-2500C2	Motor End Plate (includes needle bearing)	201.01 A
28	4	2270-0039	Washer	1.47 A
29	4	2220-0045	Cap Screw (HM2C/HM4C Models)	2.08 A
29	4	2220-0021	Cap Screw (HM1C Models, 93079)	2.62 A
29	4	2220-0044	Cap Screw (HM3C Models)	4.52 A
29	4	2220-0032	Cap Screw (hm5C Models)	6.11 A
30	1	1720-0108	O-Ring	1.53 A
31	1	3360-0021A	Pressure Port Adapter (includes O-ring)	32.10 A
33	1	3320-0051A	Tank Port Adapter (includes O-ring)	60.43 A
34	1	3220-0029	Bypass Adjusting Screw	12.47 A
35	1	1700-0047	Gasket	5.99 A
36	1	2270-0027	Wahser	2.58 A
37	1	2250-0038	Lock Nut	1.47 A
38	1	1610-0032	Roll Pin (HM2C/HM4C)	11.17 A
38	1	1610-0031	Roll Pin (HM1C/HM5C)	6.32 A
38	1	1610-0055	Roll Pin (HM3C)	38.13 A
39	1	1810-0026	Snap Ring	1.53 A
40	1	1610-0012	*Woodruf Key (9306C)	1.78 A

* DISCONTINUED - LIMITED QUANTITIES



HYPRO DIAPHRAGM PUMP REPAIR PARTS



9910-D70

Part #	Description	Price
9910-KIT1720	Diaphragm Kit Desmopan	151.20 A
9910-KIT2364	Valve Kit	238.24 A
9910-KIT2365	O-ring Kit	25.65 A



Ref	Qty	Part #	Description
1	1	9910-550011	*Pump Body with Bolts
2	1	9910-550101	Right Head DX
3	1	9910-550102	Left Head SX
4	1	9910-550150	Manifold
5	1	9910-559200	Accumulator Manifold
6	2	9910-580370	Plate
7	2	9910-550080	Diaphragm
8	2	9910-550110	Sleeve
9	1	9910-550120	Piston
10	4	9910-320030	O-Ring
11	4	9910-759051	Complete Valve Assembly
12	8	9910-551040	Bolt
13	4	9910-180152	Nut
14	2	9910-580360	Diaphragm Bolt
15	1	9910-550880	Ring Nut
16	1	9910-580040	Elbow 1-1/4"
17	1	9910-550370	Elbow 1"
18	1	9910-550350	O-Ring
19	1	9910-550340	Threaded Adapter
23	1	9910-550310	Roller Bushing
24	7	9910-390290	O-Ring
25	1	9910-550190	Accumulator Diaphragm
26	1	9910-550300	Air Valve
27	1	9910-650542	Gasket
28	4	9910-550680	Bolt
29	1	9910-559204	Upper Air Chamber

Ref	Qty	Part #	Description
32	1	9910-550057	Sight Glass Cap
33	1	9910-550040	O-Ring
34	1	9910-550030	Oil Sight Glass
35	2	9910-850851	Bolt
36	1	9910-180101	O-Ring
41	1	9910-650660	Diaphragm Holder
42	1	9910-650670	Diaphragm
43	1	9910-650690	Clamp
44	1	9910-200391	Retainer Ring
45	1	9910-550470	Seal Ring
46	1	9910-550070	Spacer Ring
47	1	9910-550060	Roller Bushing
48	1	9910-550170	Shaft
53	5	9910-320621	Washer
57	2	9910-550280	Bearing
58	1	9910-550140	Cylinder
64	1	9910-550160	Spacer
66	1	9910-550491	Seal Ring
67	1	9910-650920	O-Ring
68	1	2406-0023	Oil Drain Plug
74	1	9910-1500350	Shield
75	2	9910-550332	Washer
76	1	9910-740290	O-Ring
77	1	9910-330173	Plug
79	1	9910-620472	Bolt
87	1	9910-450120	Threaded Adapter
88	1	9910-550870	Ring Nut

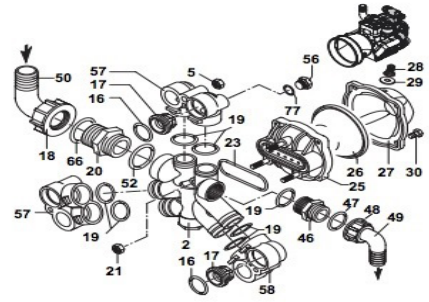
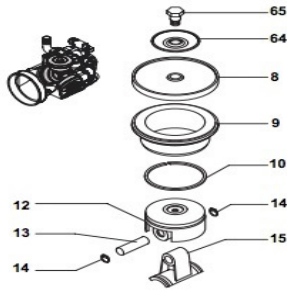
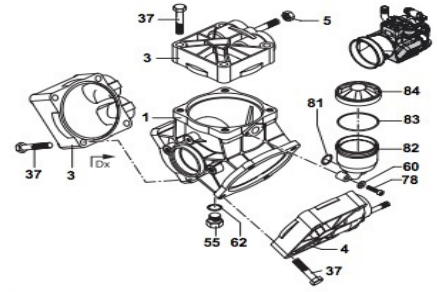
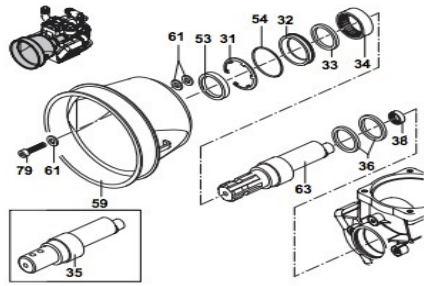
* DISCONTINUED - LIMITED QUANTITIES

HYPRO DIAPHRAGM PUMP REPAIR PARTS

9910-D115 & 9910-D135



Part #	Description
9910-KIT1721	Diaphragm Kit Desmopan
9910-KIT2370	Valve Kit
9910-KIT2026	O-ring Kit



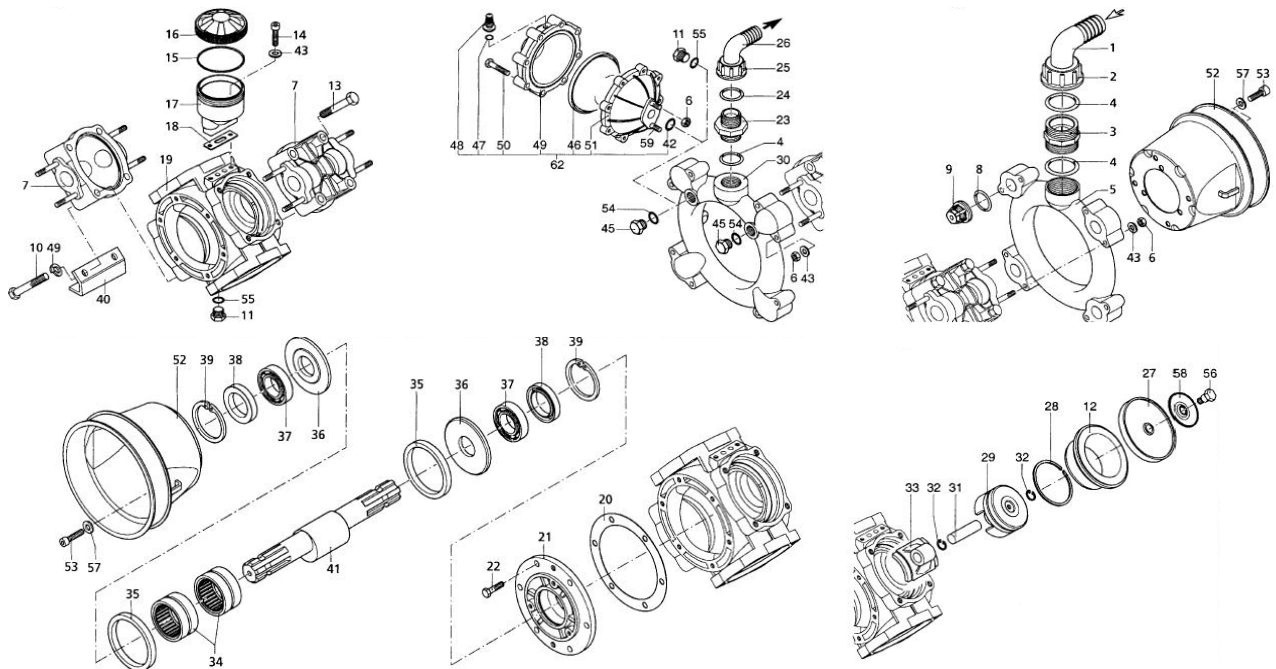
Ref	Qty	Part #	Description
1	1	9910-580013	Pump Body with Bolts
2	1	9910-580150	Manifold
3	2	9910-550101	DX Right Head
4	1	9910-550102	SX Left Head
5	3	9910-180152	Nut
8	8	9910-550085	Diaphragm (Desmopan) Standard
9	3	9910-580110	Sleeve (D115)
9	3	9910-580350	Sleeve (D135)
10	3	9910-500260	Piston Ring
12	3	9910-580120	Piston
13	3	9910-380300	Pin
14	6	9910-380080	Pin Ring
15	3	9910-580140	Connecting Rod
16	6	9910-320030	O-Ring
17	6	9910-759051	Complete Valve
18	1	9910-540541	Ring Nut
19	7	9910-390291	O-Ring
20	1	9910-540530	Threaded Adapter
21	3	9910-390271	Nut
23	1	9910-580050	Gasket
25	1	9910-580180	Accumulator Manifold
26	1	9910-550190	Accumulator Diaphragm
27	1	9910-559204	Accumulator Head
28	1	9910-550300	Air Valve
29	1	9910-650542	O-Ring
30	4	9910-550680	Bolt
31	1	9910-200391	Retaining Ring
32	1	9910-550470	Gasket Retainer
33	1	9910-550070	Spacer Ring
34	1	9910-550060	Roller Bearing
35	1	9910-550170	Shaft (D115)

Ref	Qty	Part #	Description
36	2	9910-580470	Connecting Rod Ring
37	12	9910-551040	Bolt
38	1	9910-550310	Roller Bushing
46	1	9910-550340	Threaded adapter
47	1	9910-550350	O-Ring
48	1	9910-550242	Ring nut
49	1	9910-550370	Elbow 1"
50	1	9910-540550	Elbow 1-1/2"
52	1	9910-250310	O-Ring
53	1	9910-550491	Seal Ring
54	1	9910-650920	O-Ring
55	1	2406-0023	Oil Drain Plug
56	1	9910-330173	Plug
57	2	9910-589200	DX Right Valve Retainer w/Plug/O-Ring
58	1	9910-580072	SX Left Valve Retainer
59	1	9910-1500350	Shield
60	2	9910-550332	Washer
61	5	9910-320621	Washer
62	1	9910-740290	O-Ring
63	1	9910-580330	Shaft (D135)
64	3	9910-580370	Plate
65	3	9910-580360	Diaphragm Bolt
66	1	9910-250310	O-Ring
77	1	9910-180101	O-Ring
78	2	9910-850851	Bolt
79	3	9910-620472	Bolt
81	1	9910-390180	O-Ring
82	1	9910-1040310	Oil Sight Glass
83	1	9910-650920	O-Ring
84	1	9910-1040322	Black Oil Tank Cap

HYPRO DIAPHRAGM PUMP REPAIR PARTS



9910-D160

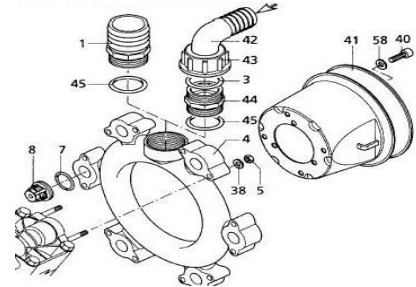
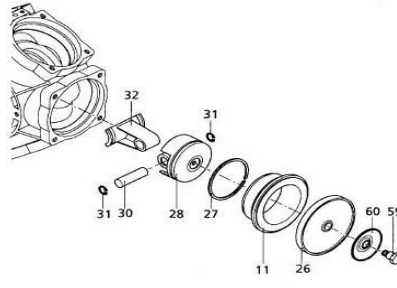
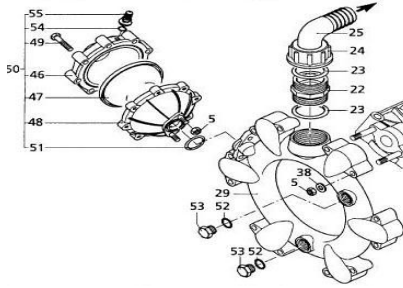
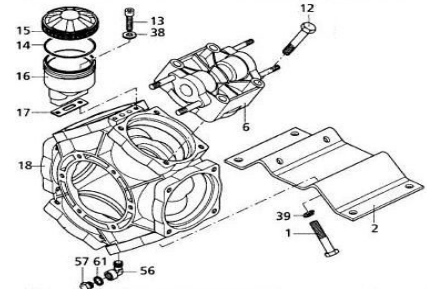
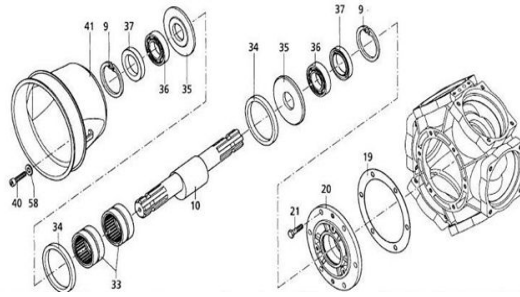


Ref	Qty	Part #	Description
32	8	9910-160691	Pin ring
33	4	9910-760140	Connecting Rod
34	2	9910-750090	Roller Bearing
35	2	9910-750130	Connecting Rod Ring
36	2	9910-540040	Spacer Washer
37	2	9910-230350	Bearing
38	2	9910-160740	Seal Ring
39	2	9910-200390	Retainer Ring
40	2	9910-760201	Base
41	1	9910-750170	Crankshaft
42	1	9910-390290	O-Ring
43	18	9910-380243	Washer
44	4	9910-250143	Washer
45	2	9910-330173	Plug
46	1	9910-550190	Accumulator Diaphragm
47	1	9910-650542	O-Ring
48	1	9910-180020	Air Valve
49	1	9910-629216	Accumulator Head
50	8	9910-621781	M8 x 40 Bolt
51	1	9910-680180	Accumulator Body
52	2	9910-1500350	Shield
53	6	9910-850251	M8 x 12 Bolt
54	2	9910-180101	O-Ring
55	2	9910-740290	O-Ring
56	4	9910-2240110	Diaphragm Nut
57	6	9910-390314	Washer
58	4	9910-751250	Retaining Washer
61	4	9910-2240100	Diaphragm Stud
74	1	9910-751140	O-ring

Ref	Qty	Part #	Description
5	1	9910-760750	Suction Manifold
6	18	9910-380242	Nut
8	8	9910-680070	O-ring
9	8	9910-759051	Complete Vavle
10	8	9910-750071	Bolt
11	2	2406-0023	Oil Drain Plug
12	4	9910-750110	Sleeve
13	12	9910-750061	M12 x 65 Bolt
14	2	9910-680350	M8 x 35 Bolt
15	1	9910-1040060	O-Ring
16	1	9910-750057	Black Oil Tank Cap
17	1	9910-750030	Oil sight glass
18	1	9910-750040	Gasket
19	1	9910-761010	Pump body
20	1	9910-851360	O-ring
21	1	9910-680020	Bearing Support Housing
22	6	9910-160672	M10 x 25 Bolt
23	1	9910-751130	Threaded adapter
24	1	9910-390290	O-Ring
25	1	9910-750670	Ring nut
26	1	9910-3040160	Elbow 1-1/2"
27	4	9910-550085	Diaphragm (Desmopan) Standard
28	4	9910-500260	Piston Ring
29	4	9910-750122	Piston
30	1	9910-760760	Manifold DISCONTINUED
31	4	9910-160700	Pin

HYPRO DIAPHRAGM PUMP REPAIR PARTS

9910-D250



Ref	Qty	Part #	Description
2	1	9910-750200	Base
3	2	9910-750740	O-Ring
4	1	9910-751070	Suction Manifold
5	26	9910-380242	Nut
6	6	9910-751350	Head
7	12	9910-680070	O-Ring
8	12	9910-759051	Complete Valve
9	2	9910-200390	Retainer Ring
10	1	9910-750170	Crankshaft
11	6	9910-750110	Sleeve
12	20	9910-750061	Bolt
13	2	9910-680350	Bolt
14	1	9910-1040060	O-Ring
15	1	9910-750057	Black Oil Tank Cap
16	1	9910-750030	Oil Sight Glass
17	1	9910-750040	Gasket
18	1	9910-751300	Pump Body
19	1	9910-851360	Gasket
20	1	9910-680020	Shaft Support
21	6	9910-160672	Bolt
22	1	9910-751130	Threaded Adapter
23	1	9910-751140	O-Ring
23A	1	9910-390290	O-ring
24	1	9910-750670	Ring Nut
25	1	9910-3040160	Elbow 1-1/2"
26	6	9910-550080	Diaphragm
27	6	9910-500260	Piston Ring
28	6	9910-750122	Piston
29	1	9910-751080	Manifold

Ref	Qty	Part #	Description
30	6	9910-160700	Pin
31	2	9910-160691	Pin Ring
32	6	9910-750140	Connecting Rod
33	2	9910-750090	Roller Bearing
34	2	9910-750130	Connecting Rod Ring
35	2	9910-540040	Spacer Washer
36	2	9910-230350	Bearing
37	2	9910-160740	Seal Ring
38	26	9910-380243	Washer
39	4	9910-250143	Washer
40	6	9910-850251	Bolt
41	2	9910-1500350	Shield
42	1	9910-750850	Elbow 2"
43	1	9910-750710	Ring Nut
46	1	9910-620232	Accumulator Head
47	1	9910-550190	Accumulator Diaphragm
48		9910-680180	Accumulator Body
49	8	9910-621781	Bolt
51	1	9910-390290	O-Ring
52	2	9910-180101	O-Ring
53	2	9910-330173	Plug
54	1	9910-650542	Gasket
55	1	9910-180020	Air Valve
56	1	9910-750370	Elbow
57	1	9910-880581	Oil Drain Plug
58	6	9910-390314	Washer
59	6	9910-2240110	Diaphragm Nut
60	6	9910-751250	Retainer Washer
62	1	9910-2240100	Diaphragm Stud

ACE BELT & CLUTCH DRIVE FRAME PUMPS



FMC-CW-150



FMC-CW-150-MAG



FMC-CW-200

PERFORMANCE CHART CW-150							
PUMP SHAFT RPM	20 PSI GPM	30 PSI GPM	40 PSI GPM	60 PSI GPM	80 PSI GPM	100 PSI GPM	MAX HP
3200	70	55	5	X	X	X	1.4
3800	75	70	60	10	X	X	1.8
4400	80	78	72	60	X	X	3
5200	80	80	78	75	70	30	4.7

FEATURES:
 CLOCKWISE ROTATION
 HIGH PERFORMANCE TO 100 PSI
 VALOX IMPELLER (CAST IRON OPTIONAL)
 STAINLESS STEEL SHAFT
 STANDARD VITON SEALS
 (SILICONE, CARBIDE OPTIONAL)
 AVAILABLE CLUTCH DRIVE (5-1/4" PULLEY)

PERFORMANCE CHART CW-200							
PUMP SHAFT RPM	20 PSI GPM	30 PSI GPM	40 PSI GPM	60 PSI GPM	80 PSI GPM	100 PSI GPM	MAX HP
2800	100	40	X	X	X	X	1.7
3200	125	100	90	X	X	X	3
3600	140	125	110	X	X	X	3.7
4000	160	140	135	90	X	X	4.5
4600	180	165	160	140	60	X	7

FEATURES:
 CLOCKWISE ROTATION
 HIGH PERFORMANCE TO 180 PSI
 CAST IRON IMPELLER
 STAINLESS STEEL SHAFT
 STANDARD VITON SEAL
 (SILICONE/CARBIDE OPTIONAL)
 AVAILABLE CLUTCH DRIVE (5-1/4" PULLEY)

PUMP RPM / **DRIVE PULLEY DIAMETER** = **DRIVE SHAFT RPM** **PUMP RPM X PUMP PULLEY DIAMETER DIVIDED BY DRIVE PULLEY DIAMETER** OR **DRIVE SHAFT RPM EQUALS DRIVE PULLEY DIAMETER**

EXAMPLE: TO DRIVE FMC-150 AT 5000 RPM WITH PUMP PULLEY OF 5-1/4" DIA. AND DRIVE SHAFT RPM OF 3600. $5000 \times 5.25 = 26250$ $26250 / 3600 = 7.29$ ROUND ANSWER TO CLOSEST 1/4" DRIVE PULLEY SHOULD BE 7.25"

PART #	INLET SIZE	OUTLET SIZE	MAX GPM	MAX PSI	SEAL TYPE	12V CLUTCH	PRICE
FMC-CW-150	1-1/2"	1-1/4"	80	100	VITON	NO	647.52 P
FMCSC-CW-150	1-1/2"	1-1/4"	80	100	SIL/CARB	NO	735.37 P
FMC-CW-150-MAG-D	1-1/2"	1-1/4"	80	100	VITON	YES	1,235.28 P
FMCSC-CW-150-MAG-D	1-1/2"	1-1/4"	80	100	SIL/CARB	YES	1,324.42 P
FMC-CW-200	2"	1-1/2"	180	100	VITON	NO	855.86 P
FMCSC-CW-200	2"	1-1/2"	180	100	SIL/CARB	NO	944.90 P
FMC-CW-200-MAG-D	2"	1-1/2"	180	100	VITON	YES	1,503.38 P
FMCSC-CW-200-MAG-D	2"	1-1/2"	180	100	SIL/CARB	YES	1,649.46 P



ACE HYDRAULIC DRIVE CENTRIFUGAL PUMPS



FMC-150-HYD-206



FMC-200-HYD-304

PERFORMANCE CHART FMC-150-HYD-206					
SHUT-OFF 0 GPM	40 GPM	60 GPM	80 GPM	100 GPM	120 GPM
120 PSI	116 PSI	112 PSI	110 PSI	88 PSI	53 PSI
100 PSI	97 PSI	92 PSI	84 PSI	74 PSI	46 PSI
80 PSI	75 PSI	70 PSI	61 PSI	52 PSI	20 PSI
60 PSI	57 PSI	57 PSI	43 PSI	29 PSI	X

USE THE SHUT-OFF PRESSURE OF YOUR SPRAYING SYSTEM TO DETERMINE WHICH LINE OF DATA APPLIES. THE HYDRAULIC SYSTEM INPUT PRESSURE AND FLOW WILL VARY WITHIN THE CHART. CONTACT FACTORY FOR MORE DATA

MAXIMUM SHUT-OFF PRESSURE 120 PSI

PERFORMANCE CHART FMC-200-HYD-304					
SHUT-OFF 0 GPM	40 GPM	80 GPM	120 GPM	160 GPM	200 GPM
120 PSI	114 PSI	100 PSI	85 PSI	65 PSI	36 PSI
100 PSI	92 PSI	83 PSI	68 PSI	52 PSI	X
80 PSI	76 PSI	68 PSI	57 PSI	43 PSI	X
60 PSI	56 PSI	50 PSI	40 PSI	X	X

USE THE SHUT-OFF PRESSURE OF YOUR SPRAYING SYSTEM TO DETERMINE WHICH LINE OF DATA APPLIES. THE HYDRAULIC SYSTEM INPUT PRESSURE AND FLOW WILL VARY WITHIN THE CHART. CONTACT FACTORY FOR MORE DATA

MAXIMUM SHUT-OFF PRESSURE 120 PSI

FEATURES FMC-150-HYD-206:

- 1-1/2" SUCTION, 1-1/4" DISCHARGE
- STANDARD VITON SEALS (SIL/CARB OPTIONAL)
- VALOX IMPELLER (CAST IRON OPTIONAL)
- STAINLESS STEEL SHAFT
- STAINLESS STEEL WEAR RING

RECOMMENDED FOR USE ON THE FOLLOWING HYDRAULIC SYSTEMS:

- PRESSURE COMPENSATING CLOSED CENTER
- LOAD SENSING OR PRESSURE FLOW-
- COMPENSATING CLOSED CENTER
- OPEN CENTER FROM 7-16 GPM
- INTEGRAL NEEDLE VALVE BYPASSES UP TO 9 GPM ON OPEN CENTER SYSTEMS

**206 MOTOR REQUIRES 7 GPM
HYDRAULIC FLUID INPUT**

FEATURES FMC-200-HYD-304:

- 2" SUCTION, 1-1/2" DISCHARGE
- STANDARD VITON SEALS (SIL/CARB OPTIONAL)
- VALOX IMPELLER (CAST IRON OPTIONAL)
- STAINLESS STEEL SHAFT
- STAINLESS STEEL WEAR RING

RECOMMENDED FOR USE ON THE FOLLOWING HYDRAULIC SYSTEMS:

- PRESSURE COMPENSATING CLOSED CENTER
- LOAD SENSING OR PRESSURE FLOW-
- COMPENSATING CLOSED CENTER
- OPEN CENTER FROM 10-20 GPM
- INTEGRAL NEEDLE VALVE BYPASSES UP TO 9 GPM ON OPEN CENTER SYSTEMS

**304 MOTOR REQUIRES 11 GPM
HYDRAULIC FLUID INPUT**

ACE HYDRAULIC DRIVE HIGH PERFORMANCE PUMPS							
PART #	INLET SIZE	OUTLET SIZE	MAX GPM	MAX PSI	SEAL TYPE	IMPELLER TYPE	PRICE
FMC150-HYD-206	1-1/2"	1-1/4"	120	120	VITON	VALOX	1,226.54 A
FMCS150-HYD-206	1-1/2"	1-1/4"	120	120	SIL/CARB	VALOX	1,305.52 A
FMC-200-HYD-304	2"	1-1/2"	200	120	VITON	VALOX	1,453.30 A
FMCS-200-HYD-304	2"	1-1/2"	200	120	SIL/CARB	VALOX	1,531.00 A

ACE HYDRAULIC DRIVE CENTRIFUGAL PUMPS



FEATURES

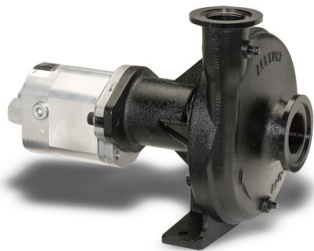
FMCSC-205F-HYD-304

FMCSC-205FS-HYD-304



FMCSC-205F-HYD-304 FMCSC-205FS-HYD-304

- * SUCTION 300 SERIES FLANGE
- * DISCHARGE 220 SERIES FLANGE
- * -FS MODEL - 316 STAINLESS STEEL
- * RECOMMENDED FOR USE ON THE FOLLOWING HYDRAULIC SYSTEMS:
 - # PRESSURE COMPENSATING CLOSED CENTER
 - # LOAD SENSING OR PRESSURE FLOW COMPENSATING CLOSED SYSTEM
 - # OPEN CENTER FROM 10 TO 20 GPM (38 TO 75 LPM) - INTEGRAL NEEDLE VALVE BYPASSES UP TO 9 GPM (34 LPM)
- * SEVERE DUTY SILICON CARBIDE MECHANICAL SEAL WITH O-RING SEAT FOR IMPROVED SURVIVABILITY
- * LARGER 203 BEARING FOR LONGER LIFE
- * CHEMICAL RESISTANT VALOX IMPELLER AND OPTIONAL CAST IRON OR 316 STAINLESS STEEL AVAILABLE



FMC-650F-HYD

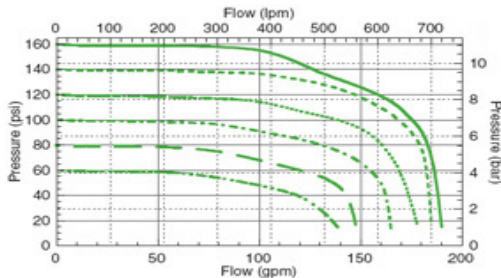
FMC-650FS-HYD

FEATURES

FMC-650F-HYD

FMC-650FS-HYD

- * SUCTION 220 FLANGE & 1-1/2" NPT
- * DISCHARGE 200 FLANGE & 1-1/4" NPT
- * HIGH PERFORMANCE PUMP
 - # MAXIMUM FLOW 170 GPM (644 LPM)
 - # MAXIMUM PRESSURE 160 PSI (11 BAR)
 - # MODIFIED IMPELLER DESIGN FOR HIGHER PRESSURE AT LOWER RPM
- * MAXIMUM RELIABILITY
 - # -FS MODEL - 316 STAINLESS STEEL
 - # OPERATES AT LOWER RPM FOR LONGER LIFE
 - # OVERSIZED BEARINGS
 - # E-COAT CORROSION PROTECTION
 - # HIGH EFFICIENCY 4000 PSI (275 BAR) PRESSURE PLATED GEAR MOTOR
 - # OPTIONAL CASE DRAIN



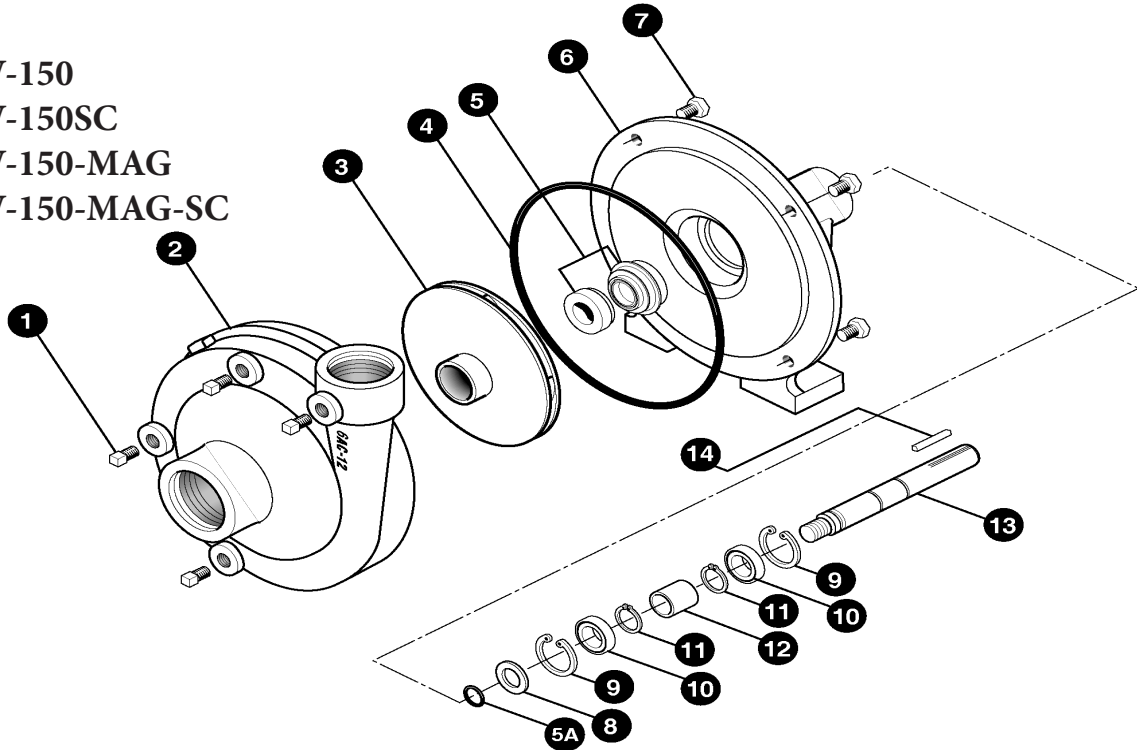
OIL FLOW	
GPM	LPM
14.5	54.9
13.6	51.5
12.4	46.9
11.3	42.8
9.8	37.1
8.3	31.4

ACE HYDRAULIC DRIVE PUMPS					
PART #	INLET SIZE	OUTLET SIZE	MAX GPM	MAX PSI	PRICE
FMCS-205F-HYD-304	300 Flange	220 Flange	240	120	1,656.67 A
FMCS-205FS-HYD-304	300 Flange	200 Flange	240	120	2,663.65 A
FMCS-205F-HYD-304-PWM	300 Flange	220 Flange	240	120	2,632.03 A
FMCS-205FS-HYD-304-PWM	300 Flange	220 Flange	240	120	3,639.00 A
FMC-650F-HYD	220 Flange & 1-1/2" NPT	200 Flange & 1-1/4" NPT	170	160	2,650.86 A
FMC-650FS-HYD	220 Flange & 1-1/2" NPT	200 Flange & 1-1/4" NPT	170	160	2,835.17 A



ACE PEDESTAL PUMP REPAIR PARTS

FMC-CW-150
FMC-CW-150SC
FMC-CW-150-MAG
FMC-CW-150-MAG-SC

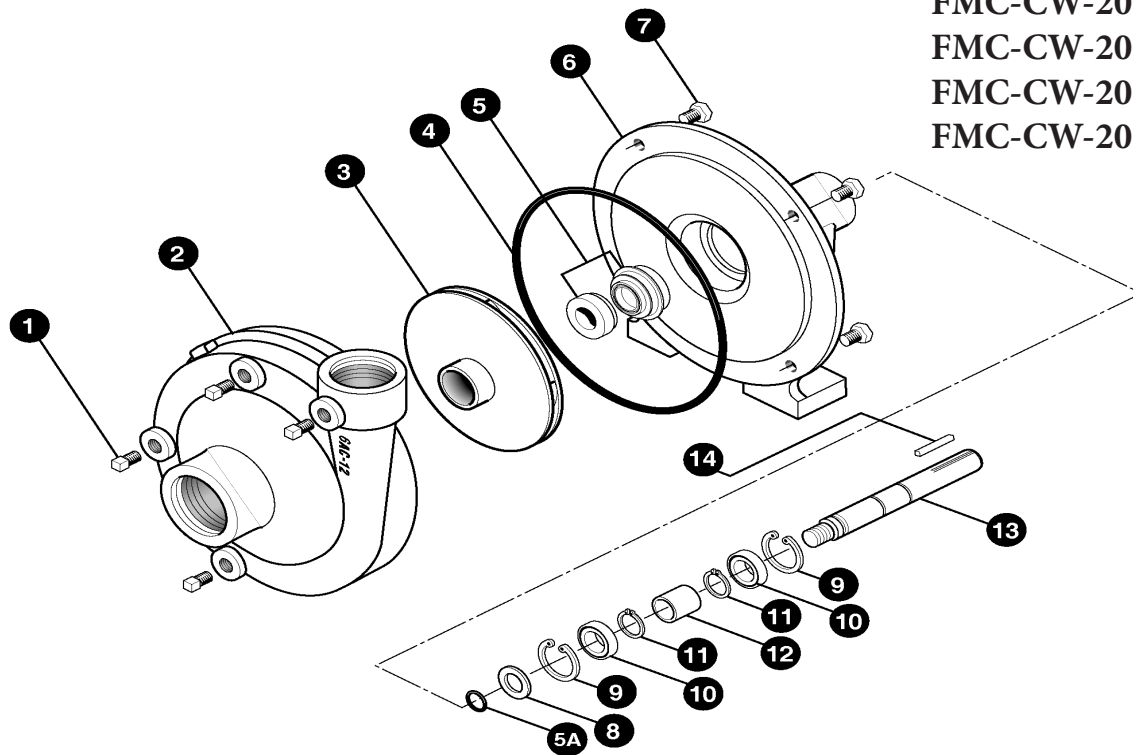


Ref #	Req'd	Part #	Description	Price
1	4	BAC-53 (41110)	Pipe plug, 1/8" NPT	0.75 A
1	4	41120	Pipe plug, 1/8" NPT, stainless steel (opt)	6.18 A
2	1	6AC-12	Volute, 1 1/2" x 1 1/4", clockwise rotation, cast iron	391.98 A
3	1	BAC-26-CW-150-P	Impeller, 5 1/2" dia., right hand NF thread, thermoplastic	111.16 A
3	1	BAC-26-CW-150-CI	Impeller, 5 1/2" dia., right hand NF thread, cast iron (opt)	256.38 A
*4	1	BAC-4A	O-ring for BAC-12 volute seal, 4/96	9.38 A
*4	1	BAC-4	Gasket, 4 hole	4.94 A
*5	1	BAC-7V	Seal, Viton mechanical seal (includes 40160 o-ring)	60.02 A
5	1	BAC-7SC	Seal, silicon carbide mechanical seal (includes 40160 o-ring)(opt)	207.24 A
5A	1	40160	O-ring for BAC-6 shaft	1.24 A
6	1	BAC-14-F	Mounting frame	328.52 A
7	4	40930	Cap screw, 3/8" NC x 3/4" hex head, stainless steel (opt)	2.96 A
7	4	40950	Cap screw, 3/8" NC x 3/4" hex head	0.98 A
8	1	BAC-54	Slinger	2.48 A
9	2	BAC-33	Snap ring, internal, BAC-14 mounting frame	2.48 A
10	2	BAC-37	Bearing, BAC-6 driven shaft (2000-0010)	13.48 A
11	2	BAC-32	Snap ring, external, BAC-6 driven shaft	1.24 A
12	1	BAC-32-S	Spacer for BAC-6 shaft	7.16 A
13	1	BAC-6-CW-SS	Shaft, 5/8" driven, right hand NF thread, stainless steel	181.06 A
14	1	BAC-50	Key, 3/16" x 3/16" x 1 1/4"	1.98 A
*	1	RK-FMC	Repair Kit for FMC Series Includes *	71.38 A

ACE PEDESTAL PUMP REPAIR PARTS



FMC-CW-200
FMC-CW-200-SC
FMC-CW-200-MAG
FMC-CW-200-MAG-SC

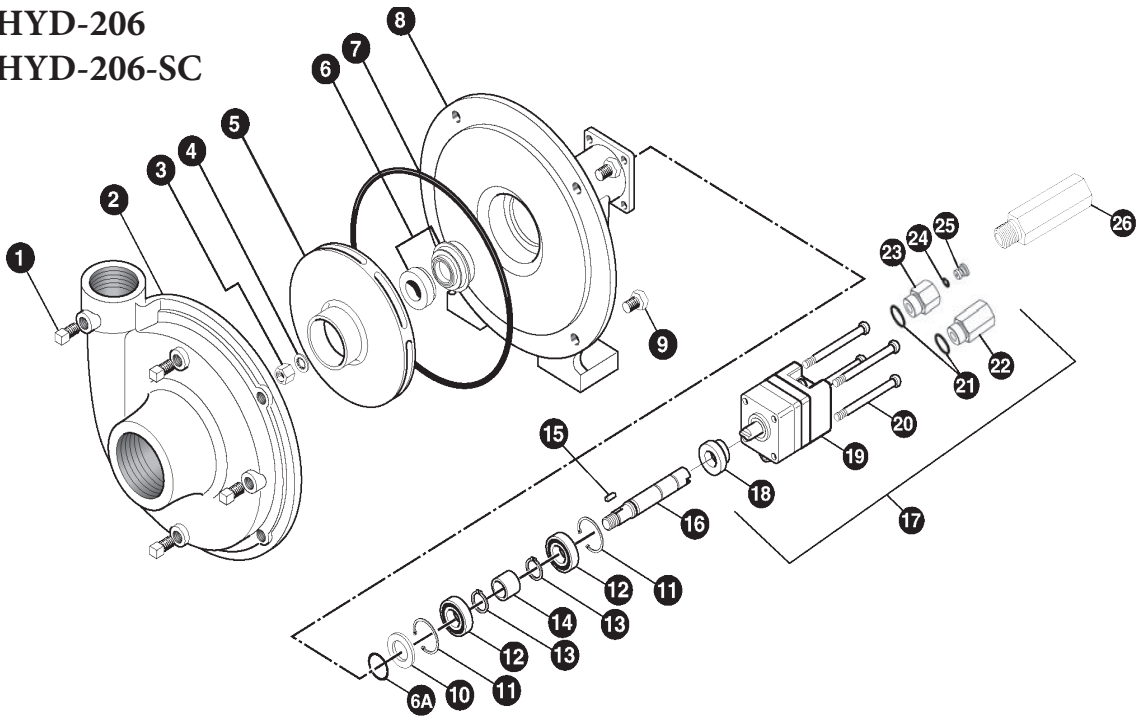


Ref #	Req'd	Part #	Description	Price
1	4	BAC-53 (41110)	Pipe plug, 1/8" NPT	0.75 A
1	4	41120	Pipe plug, 1/8" NPT, stainless steel (opt)	6.18 A
2	1	7AC-14-4	Volute, 2" x 1 1/2", clockwise rotation, cast iron	430.28 A
3	1	BAC-26-CW-200-CI	Impeller, 5 1/8" dia., right hand NF thread, cast iron	335.18 A
*4	1	BAC-4A	O-ring for BAC-12 volute seal, 4/96	9.38 A
*4	1	BAC-4	Gasket, 4 hole	4.94 A
*5	1	BAC-7V	Seal, Viton mechanical seal (includes 40160 o-ring)	60.02 A
5	1	BAC-7SC	Seal, silicon carbide mechanical seal (includes 40160 o-ring)(opt)	207.42 A
5A	1	40160	O-ring for BAC-6 shaft	1.24 A
6	1	BAC-14-F	Mounting frame	328.52 A
7	4	40930	Cap screw, 3/8" NC x 3/4" hex head, stainless steel (opt)	2.96 A
7	4	40950	Cap screw, 3/8" NC x 3/4" hex head	0.98 A
8	1	BAC-54	Slinger	2.48 A
9	2	BAC-33	Snap ring, internal, BAC-14 mouting frame	2.48 A
10	2	BAC-37	Bearing, BAC-6 driven shaft (2000-0010)	13.48 A
11	2	BAC-32	Snap ring, external, BAC-6 driven shaft	1.24 A
12	1	BAC-32-S	Spacer for BAC-6 shaft	7.16 A
13	1	BAC-6-CW-SS	Shaft, 5/8" driven, right hand NF thread, stainless steel	181.06 A
14	1	BAC-50	Key, 3/16" x 3/16" x 1 1/4"	1.98 A
*	1	RK-FMC	Repair Kit for FMC Series Includes *	71.38 A



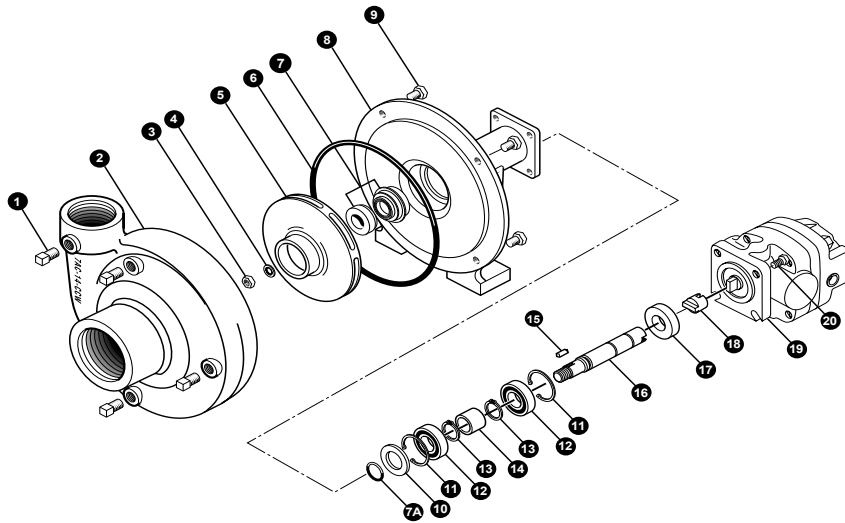
ACE HYDRAULIC PUMP REPAIR PARTS

FMC-150-HYD-206
FMC-150-HYD-206-SC



Ref #	Req'd	Part #	Description	Price
1	4	BAC-53	Pipe plug	0.75 A
1	4	41120	Pipe plug, stainless steel (opt)	6.18 A
2	1	BAC-12-150	Volute, 1 1/2" x 1 1/4"	391.98 A
3	1	BAC-23-A SS	Nut, 3/8" NF, cad plated	11.12 A
4	1	BAC-24-HYD-SS	Washer, 3/8" star, stainless steel	1.98 A
5	1	BAC-26-150-P	Impeller, Valox, keyway	111.16 A
5	1	BAC-26-150-CI	Impeller, cast iron, keyway (opt)	279.36 A
6	1	BAC-7V	Seal, mechanical, Viton (includes 40160 O-ring)	60.02 A
6	1	BAC-7SC	Seal, mechanical, silicon carbide (includes 40160 O-ring)(opt)	207.42 A
6A	1	40160	O-ring, shaft seal	1.24 A
7	1	BAC-4-150	O-ring, body seal	9.38 A
8	1	BAC-14-150-HYD	Mounting frame (for 200 series hydraulic motor)	488.08 A
9	4	40950	Cap screw, 3/8" NC x 3/4" hex head	0.98 A
9	4	40930	Cap screw, 3/8" NC x 3/4" hex head, stainless steel (opt)	2.96 A
10	1	BAC-54	Slinger	2.48 A
11	2	BAC-33	Snap ring, internal, BAC-14 mounting frame	2.48 A
12	2	BAC-37	Ball Bearing, sealed, BAC-6 shaft (2000-0010)	13.48 A
13	2	BAC-32	Snap ring, external, BAC-6 shaft	1.24 A
14	1	BAC-32-S	Spacer for BAC-6 shaft	7.16 A
15	1	BACH-25	Key, 1/8" x 1/8" x 1/2"	1.48 A
16	1	BAC-6-HYD-SS	Shaft, 5/8" dia., keyway & tang slot, stainless steel (opt)	161.78 A
17	1	BAC-75-HYD-206	Hydraulic motor, 7 GPM (includes parts 18-25)	667.17 A
18	1	S200	Seal support spacer for 200 series HYD motor, 6/00	12.10 A
20	4	41255	Cap screw, 5/16" NC x 3-3/4" Hex head (for 206 motor)	2.48 A
26	1	LS-206N	Flow limiting valve (206N), #8 SAE male x 1/2" NPT female	107.20 A
		RK-FMC-150	Repair kit for FMC-150 series pump	71.38 A
		RK-BAC-75-HYD-L	Repair kit for 200-L Series motor	75.58 A

ACE HYDRAULIC PUMP REPAIR PARTS



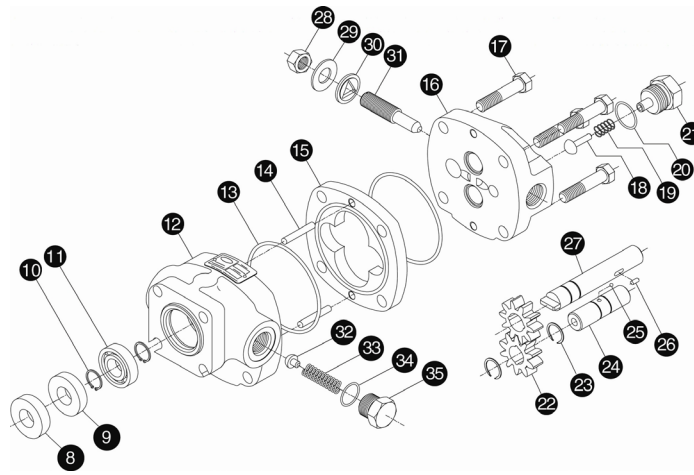
FMC-200-HYD-304
FMC-200-HYD-304-SC

Ref #	Req'd	Part #	Description	Price
1	4	BAC-53	Pipe Plug	0.75 A
1	4	41120	Pipe Plug, stainless steel (optional)	6.18 A
2	1	7AC-14-CCW	Volute, 2" x 1 1/2"	430.28 A
3	1	BAC-23-A SS	Nut, 3/8" NF, cad plated	11.12 A
4	1	BAC-24-HYD-SS	Washer, 3/8" star, stainless steel	1.98 A
5	1	BAC-26-200-CI	Impeller, w/extended keyway, cast iron (date code E-9 & up)	341.60 A
5	1	BAC-26-200-P	Impeller, w/extended keyway, thermoplastic	160.80 A
5	1	BAC-26-HYD-200-CI	Impeller, cast iron, keyway (obsolete 6/99)	335.18 A
6	1	BAC-4	Gasket, 4 hole	4.94 A
6	1	BAC-4A	O-ring, body seal 4/96	9.38 A
7	1	BAC-7V	Seal, mechanical, Viton (includes 40160 o-ring)	60.02 A
7	1	BAC-7SC	Seal, mechanical, silicon carbide (includes 40160 o-ring)	207.24 A
7A	1	40160	O-ring, shaft seal	1.24 A
8	1	BAC-14-HYD-300	Mounting frame (for -300 series hyd motor)	430.28 A
9	4	40950	Cap screw, 3/8" NC x 3/4" hex head	0.98 A
9	4	40930	Cap screw, 3/8" NC x 3/4" hex head, ss (optional)	2.96 A
10	1	BAC-54	Slinger	2.48 A
11	2	BAC-33	Snap ring, internal, BAC-14 mouting frame	2.48 A
12	2	BAC-37	Ball bearing, sealed, BAC-6 shaft (2000-0010)	13.48 A
13	2	BAC-32	Snap ring, external, BAC-6 shaft	1.24 A
14	1	BAC-32-S	Spacer for BAC-6 shaft	7.16 A
15	1	BAC-25	Key, 1/8" x 1/8" x 13/16", extended keyway (date code E-9 & up)	1.48 A
15	1	BACH-25	Key, 1/8" x 1/8" x 1/2" (obsolete 6/99)	1.48 A
16	1	BAC-6-HYD-200-SS	Shaft, extended keyway, tang, ss (date Code E-9 & up)	161.78 A
16	1	BAC-6-HYD-SS	Shaft, 5/8" diameter, keyway & tang slot, ss (optional)	161.78 A
17	1	S300	Seal support spacer for 300 Series HYD motor 6/00	12.10 A
18	1	BAC-76-HYD	Coupling for hydraulic motor	34.82 A
19	1	BAC-75-HYD-304	Hydraulic motor, 11 GPM	1,001.96 A
20	4	41330	Cap screw, 5/16" NC x 3/4" hex head, motor to pump	0.98 A
		RK-FMC	Repair kit for FMC series pump	71.38 A
		RK-BAC-75-HYD-300	Repair kit for 304 motor	131.16 A
		RK-BAC-75-HYD-300-L	Repair kit for 300 Series -L motor	131.16 A



ACE HYDRAULIC MOTOR REPAIR PARTS

BAC-75-HYD-304
BAC-75-HYD-304L
BAC-75-HYD-310

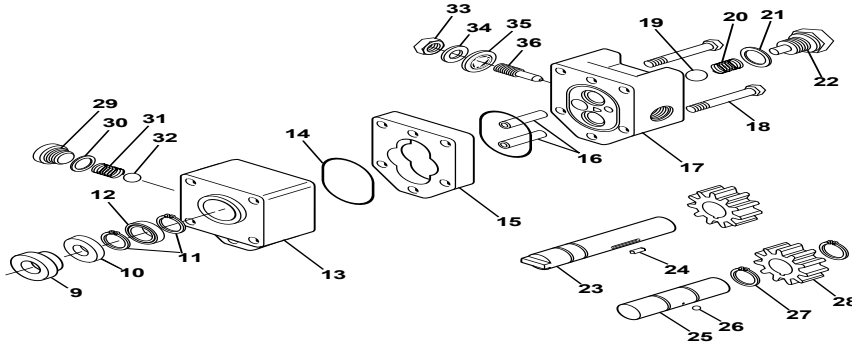


Ref #	Req'd	MODEL	MODEL	MODEL	Description
		304	304L	310	
		Part #	Part #	Part #	
1	1	43175			Retaining ring, shaft seal
2	1	43051		43051	Steel seal retainer
3	1	43141			"O"ring, seal retainer
4	1	43161		43160	Quad ring shaft seal
5	1	43125		43120	Collar, quad ring shaft seal
6	1	43151		43150	"O"ring, seal collar
7	1	43095		43090	Backup washer
8	1	S300	S300		Seal support spacer (L models)
9	1	40154	40154		Seal cartridge ("L" models)
10	1	43205	43205	43200	Retaining ring, bearing
11	2	43225	43225	43220	Ball bearing
12	1	43015	43015	43010	Drive plate
13	1	43130	43130	43130	"O"ring, housing seal
14	2	43085	43085	43080	Dowel pin, housing
15	1	43005	43005	43000	Gear housing
16	2	43020	43020	43020	End plate
17	1	43185	43185		Cap screw, 3/8" NC hex head
18	2	43210	43210	43210	Plunger, reverse flow check
19	1	43060	43060	43060	Spring, reverse flow check
20	1	43290	43290	43290	"O"ring, reverse flow check
21	1	43070	43070	43070	Valve cap, reverse flow check
22	1	43035	43035	43030	Gear housing
23	1	43240	43240	43240	Retaining ring, gear
24	1	43235	43235	43230	Idler shaft
25	1	43255	43255	43250	Ball, idler shaft
26	1	43195	43195	43190	Dowel pin, drive shaft
27	2	43045	43045		Drive shaft
28	2	43270	43270	43270	Hex nut, needle valve
29	1	43292	43292	43292	Backup washer, flat steel, needle valve
30	1	43291	43291	43291	1/2" thread seal, needle valve
31	1	43260	43260	43260	Adjusting screw, needle valve
32	1	43300	43300		Plunger, coasting check
33	1	43305	43305		Spring, coasting check
34	1	43310	43310		"O"ring, coasting check
35	1	43315	43315		Valve cap, coasting check
		41361		41379	Motor kit 310
		41362	41362		Motor kit 304L

ACE HYDRAULIC MOTOR REPAIR PARTS



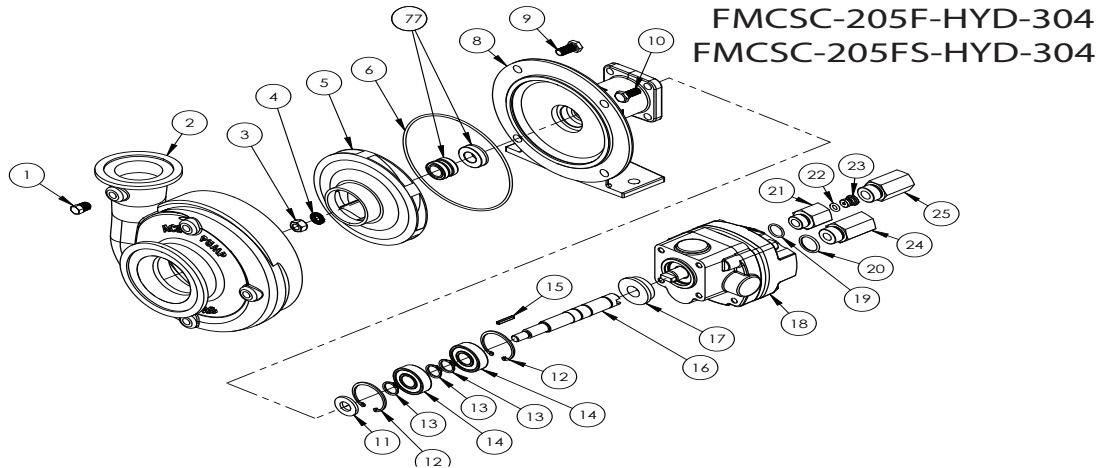
BAC-75-HYD-204
BAC-75-HYD-206
BAC-75-HYD-210



		MODEL 204	MODEL 206	MODEL 210	
Ref #	Req'd	Part #	Part #	Part #	Description
1	1	41890	41890	41890	Retaining ring, shaft seal
2	1	41770	41770	41770	Seal retainer, steel
* 3	1	41880	41880	41880	Quad ring shaft seal
4	1	41840	41840	41840	Collar, quad ring shaft seal
* 5	1	41870	41870	41870	O-ring, seal collar
* 6	1	41860	41860	41860	O-ring, seal retainer
7	1	41810	41810	41810	Backup washer, steel
8	1	41830	41830	41830	Bearing spacer, wire ring
9 **	1	S200	S200	S200	Seal support spacer (L models)
11	2	41941	41941	41941	Snap ring, bearing
12	1	41961	41961	41961	Ball bearing, 7/16" I.D.
13	1	41731	41731	41731	Drive plate
* 14 **	2	41850	41850	41850	O-ring, housing seal
15	1	41720	41721	41725	Gear housing
16	2	41800	41801	41805	Dowel pin, housing
17	1	41740	41740	41740	End plate
18	2	41900	41900	41905	Cap screw, 1/4" N.C. hex head
19	1	41950	41950	41950	Ball, reverse flow check
20	1	41780	41780	41780	Spring, reverse flow check
21	1	41820	41820	41820	Washer, nylon, reverse flow check
22	1	41790	41790	41790	Valve cap, reverse flow check
23	1	41761	41764	41766	Drive shaft
24	1	41920	41921	41925	Dowel pin, drive shaft
25	1	41970	41971	41975	Idler shaft
26	1	41990	41990	41990	Ball, idler shaft
27	2	41980	41980	41980	Retaining ring, idler gear
28	2	41750	41751	41755	Gear housing
29	1	42041	42041	42041	Valve cap, coasting check
* 30 **	1	42044	42044	42044	O-ring, coasting check
31	1	42042	42042	42042	Spring, coasting check
32	1	42043	42043	42043	Ball, coasting check
33	1	40960	40960	40960	Nut, 3/8" N.C. jam, needle valve
34	1	42040	42040	42040	Washer, flat steel, needle valve
* 35 **	1	42030	42030	42030	Thread seal, 3/8", needle valve
36	1	42010	42010	42010	Adjusting screw, needle valve
*		41371	41371	41371	Repair Kit, RK-BAC-75-HYD
**		41374	41374	41374	Repair Kit, RK-BAC-75-HYD-L



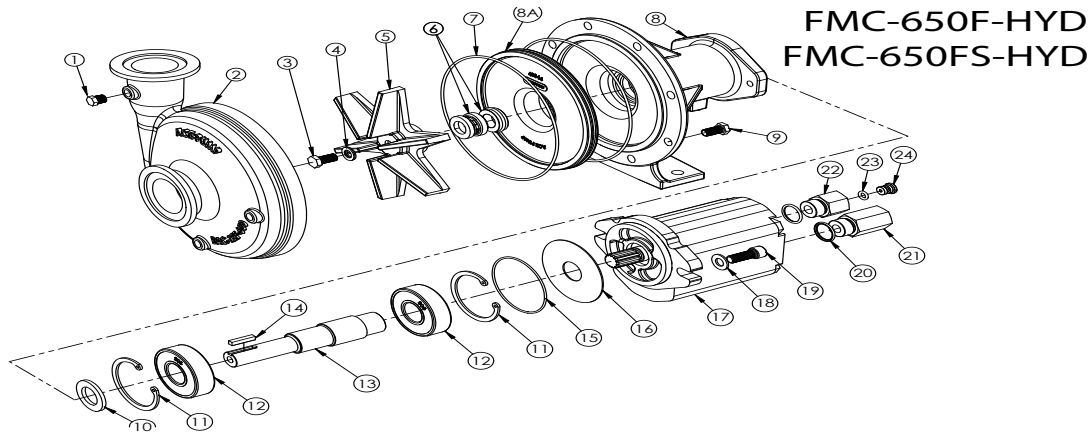
ACE HYDRAULIC PUMP REPAIR PARTS



FMCS-205F-HYD-304
FMCS-205FS-HYD-304

Ref #	Req'd	Part #	Description	Price
1	4	BAC-53	Pipe plug	0.75 A
1	4	41120	Pipe plug, stainless steel (-FS model)	6.18 A
2	1	7AC-14-FLG	Volute, 300 standard flange x220 FP flange, cast iron	538.22 A
2	1	7AC-14-FLG-SS	Volute, 300 flange x 220 flange, 316 stainless steel (-FS model)	1,009.48 A
3	1	BAC-23-B-SS	Nut, 3/8" NF, stainless steel	1.25 A
4	1	BAC-24-B-SS	Washer, 3/8", stainless steel, self-locking	8.16 A
5	1	BAC-26-200-P	Impeller, thermoplastic	160.80 A
5	1	BAC-26-200-CI	Impeller, cast iron (optional)	341.60 A
5	1	BAC-26-200-SS	Impeller, 316 stainless steel (-FS model) (optional)	440.16 A
6	1	BAC-4A	O-ring, body seal	9.38 A
7	1	BAC-7SC-205V	Seal, silicon carbide	207.24 A
8	1	BAC-14-205-HYD	Mounting frame for 205 pump	461.14 A
8	1	BAC-14-205-HYD-SS	Mounting frame for 205 pump, 316 stainless steel (-FS model)	1,066.30 A
9	4	40950	Cap screw, 3/8" NC x 3/4" hex head	0.98 A
9	4	40930	Cap screw, 3/8" NC x 3/4" hex head, stainless steel (-FS model)	2.96 A
10	4	41330	Cap screw, 5/16" NC x 3/4" hex head, motor to pump	0.98 A
11	1	BAC-54	Slinger	2.48 A
12	2	BACH-33	Snap ring, internal, BAC-14-205 mounting frame	1.98 A
13	3	BACH-32-HD	Snap ring, external, BAC-6-205 shaft	3.96 A
14	2	40880	Ball bearing, sealed, BAC-6-205 shaft	29.40 A
15	1	BAC-6-205-HYD-SS	Shaft, extended keyway, tang, stainless steel	245.76 A
16	1	BAC-25	Key, 1/8" x 1/8" x 3/16", extended keyway	1.48 A
17	1	S305	Seal support spacer for 205 series pump	20.26 A
18	1	BAC-75-HYD-304N	Hydraulic motor, 11 GPM, effective 5/13	978.34 P
19	1	41875	O-ring, #8 SAE fitting	1.25 A
20	1	41445	O-ring, #10 SAE fitting	1.25 A
21	1	BAC-80-8SAE	Body, restrictor orifice, #8SAE x 1/2" NPT	26.18 A
22	1	41448	O-ring, orifice insert	1.25 A
23	1	BAC-79-8	Orifice insert, restrictor insert, 0.125	13.34 A
24	1	BAC-78-10SAE	Reverse check assembly, #10 SAE x 1/2" NPT	36.06 A
25	1	LS-304N	Flow limiter (optional)	101.28 A
		RK-FMCS-205	Repair kit for FMC-205 pump with silicon carbide shaft seal	210.20 A
		RK-BAC-75-HYD-300-L	Repair kit for 300 Series hydraulic motor	131.16 A

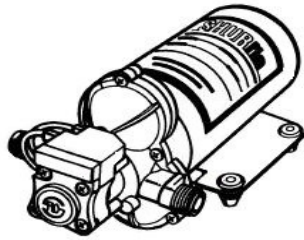
ACE HYDRAULIC PUMP REPAIR PARTS



FMC-650F-HYD
FMC-650FS-HYD

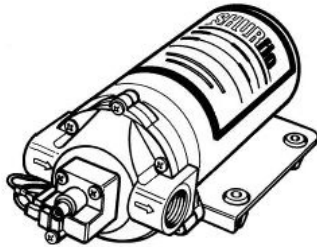
Ref #	Req'd	Part #	Description
1	3	BAC-53	Pipe plug, 1/8" NPT, hex head
1	3	41120	Pipe plug, 1/8" NPT, hex head, stainless steel (optional)
2	1	BAC-12-650-FLG	Volute, NPT & 220 flange x NPT & 200 flange (Fmodel)
2	1	BAC-12-650-FLG-SS	Volute, NPT & 220 x NPT & 200, 316 stainless steel (FS model)
3	1	40930	Cap screw, 3/8" NC x 3/4" hex head, stainless steel
4	1	30029	Washer, 3/8" O.D., sealing, stainless steel
5	1	BAC-26-650	Impeller, cast iron, e-coated
5	1	BAC-26-650-SS	Impeller, stainless steel (optional)
6	1	BAC-7-650	Seal, carbon/ceramic/Viton, 3/4"
6	1	BAC-7SC-650	Seal, silicon carbide/Viton, 3/4" (optional)
6	1	BAC-7-650B	Seal, carbon/ceramic/Buna N, 3/4" (for aqua ammonia)
7	1	BAC-4-150	O-ring, volute seal
8	1	BAC-14-650-HYD	Mounting frame, cast iron, e-coated
8	1	BAC-14-650-HYD-LIN	Mounting frame, cast iron, e-coated, for liner (FS model)
8A	1	BAC-16-650-LIN	Liner, 316 stainless steel (FS model)
9	8	40950	Cap screw, 3/8" NC x 3/4" hex head
9	8	40930	Cap screw, 3/8" NC x 3/4" hex head, stainless steel (optional)
10	1	BAC-54-650	Slinger, 1.5" OD x 7/8" ID
11	2	41943	Snap ring, internal, mounting frame
12	2	40875	Bearing, FMC-650 models
13	1	BAC-6-650-HYD-SS	Shaft, 1.13" dia., 11T female spline, stainless steel
14	1	41085	Key, .188 x .188 x .875, FMC-650 models
15	1	43419	O-ring, flange, M Series (effective 6/15)
16	1	43414	Pad, absorbent, M Series (effective 6/15)
17	1	BAC-75-HYD-M16	Motor, hydraulic, pressure plated gear, 14.5 gpm
17	1	BAC-75-HYD-M16-CD	Motor, pressure plated gear, 14.5 gpm, case drain (optional)
18	2	42701	Washer, 3/8"
19	2	41907	Cap screw, 3/8" NC x 1", socket head
20	2	41445	O-ring, #10 SAE fitting
21	1	41442	Reverse check, #10 SAE male x 1/2" NPT female
22	1	41446	Body, adapter/restrictor, #10 SAE male x 1/2" NPT female
23	1	41448	O-ring, restrictor insert
24	1	BAC-79-8	Restrictor orifice insert, .125
		RK-FMC-650	Repair kit, carbon/ceramic/Viton seal, FMC-650 models
		RK-FMCSC-650	Repair kit, silicon carbide/Viton seal, FMC-650 models

ELECTRIC PUMPS



The High Performance SHURflo 2088 Series represents over 20 years of electric pump development, from the patented three chamber pump-head to its heavy duty motor and bearings. Count on the 2088 and the complete line of SHURflo pumps for long life, unmatched reliability and trouble free performance.

THE MODEL 2088 IS SELF-PRIMING TO 12 FEET & CAN BE RUN DRY WITH OUT DAMAGE.



The SHURflo 8000 Series pump is ideal for the toughest industrial applications requiring high pressure with flow rates up to 1.8 GPM with low AMP draw. Available with valving in a wide variety of elastomers, the 8000 can accommodate a broad spectrum of chemical products. Count on the compact 8000 and the complete line of SHURflo pumps for long life, unmatched reliability and trouble free performance.

THE MODEL 8000 IS SELF-PRIMING TO 8 FEET & CAN BE RUN DRY WITHOUT DAMAGE.

SHURflo ELECTRIC DIAPHRAGM PUMPS MODELS 2088 & 8000						
PART#	VOLTS	MAX GPM	CONTROL	PORTS	MAX AMP DRAW	PRICE
2088-313-145	12-DC	3.6	Adj Demand Switch	1/2" MPT	6.0	404.11 R
2088-343-135	12-DC	2.9	Adj Demand Switch	1/2" MPT	10.8	246.04 R
2088-394-154	12-DC	3.2	Demand Switch	1/2" MPT	0.9	345.01 R
2088-514-144	12-DC	4.0	Adj Demand Switch	1/2" MPT	10.0	353.25 R
8000-543-236	12-DC	1.4	Adj Demand Switch	3/8" FPT	7.3	206.18 R
8000-543-250	12-DC	1.3	Internal Bypass	3/8" FPT	5.5	200.69 R
8000-543-290	12-DC	1.4	External Bypass w/1/4" FPT	3/8" NPT	6.8	207.55 R

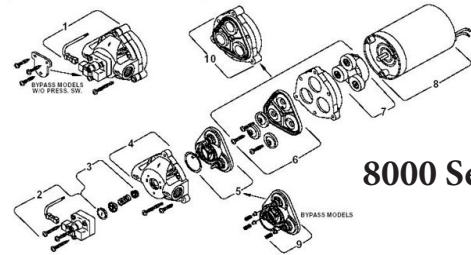
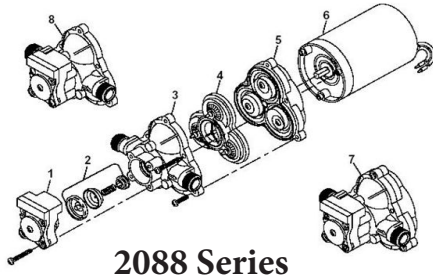


SHURflo FITTINGS & STRAINERS		
PART#	DESCRIPTION	PRICE
8-154-01	SWIVEL WING NUT STRAIGHT 1/2" FPT X 5/8" BARB	1.83 R
8-156-01	SWIVEL WING NUT STRAIGHT 1/2" FPT X 3/4" BARB	12.26 R
8-161-01	SWIVEL WING NUT STRAIGHT 1/2" FPT X 1/2" BARB	2.44 R
8-162-01	SWIVEL WING NUT STRAIGHT 1/2" FPT X 3/8" BARB	10.99 R
8-157-01	SWIVEL WING NUT ELBOW 1/2" FPT X 3/4" BARB	5.90 R
8-155-01	SWIVEL WING NUT ELBOW 1/2" FPT X 5/8" BARB	1.83 R
8-158-01	SWIVEL WING NUT ELBOW 1/2" FPT X 1/2" BARB	2.13 R
8-159-01	SWIVEL WING NUT ELBOW 1/2" FPT X 3/8" BARB	2.13 R
8-034-01	SWIVEL HEXNUT ELBOW 1/2" FPT X 1/2" BARB	2.12 R
8-035-01	SWIVEL HEXNUT ELBOW 1/2" FPT X 1/2" MPT	4.87 R
8-060-01	SWIVEL HEXNUT ELBOW 1/2" FPT X 3/8" BARB	2.12 R

ELECTRIC PUMP REPAIR PARTS



REF#	PART#	2088 PARTS KITS	PRICE
		DESCRIPTION	
DIAPHRAGM/DRIVE KIT			
5	94-238-03	Santo 3.0 cam for all 2088	53.61 R
VALVE KIT			
4	94-232-05	Poly/Viton for all 2088	78.05 R
CHECK VALVE KIT			
2	94-237-05	Check valve kit, Viton for: 2088-313-145, 2088-343-135, 2088-394-154	35.39 R
UPPER HOUSING WITH SWITCH KIT			
N/P	94-231-05	Viton 40-45 PSI adjustable (LP) for all Viton models w/Mini-Micro Switch	85.53 R
SWITCH KIT			
1	94-230-36	Viton 40-45 PSI adjustable (LP) for: 2088-343-135, 2088-394-154	40.82 R
	94-230-55	Viton 40-45 PSI adjustable (splash proof) for: 2088-313-145	48.52 R
UPPER HOUSING KIT			
3	94-231-30	Poly-Pro 1/2" MPT x 1/2" MPT for all listed 2088 except: 2088-343-170, 2088-343-500	22.96 R



REF#	PART#	8000 PARTS KITS	PRICE
		DESCRIPTION	
DRIVE ASSEMBLY KIT			
10	94-385-03	3.0 cam for all listed 8000 models except: 8000-033-236, 8000-541-236, 8000-343-236	37.17 R
DIAPHRAGM KIT			
6	94-395-05	Viton for 8000-343-236, 8000-033-236	82.06 R
	94-395-06	Santoprene for all listed 8000 models except: 8000-343-236, 8000-033-236	30.02 R
VALVE KIT			
5	94-390-05	Viton for all listed 8000 models except: 8000-543-250, 8007-543-250, 8000-533-250, 8000-542-296	59.57 R
9	94-391-09	Viton 45 PSI bypass for 8000-543-250, 8000-533-250	73.44 R
CHECK VALVE KIT			
3	94-374-05	Viton, 1-way check valve for all listed 8000 models	17.99 R
UPPER HOUSING			
1	94-378-00	Poly-Pro 1/2" male for 8000-543-136	27.36 R
	94-379-00	Poly-Pro 3/8" female for all listed 8000 models except: 8000-543-136	30.39 R
SWITCH KIT			
2	94-375-05	Viton 60 PSI for all listed 8000 models except: 8000-543-250, 8007-543-250, 8000-533-250, 8000-543-290, 8000-543-328	49.54 R
	94-375-15	Viton 80-100 PSI for model 8000-543-238	52.35 R

EVERFLO AG PUMPS



EF1000



EF2200



**EF3000, EF4000, EF5500,
EF7000**

12 VOLT DIAPHRAGM PUMP				
PART#	GPM	PSIMax	PORT	PRICE
EF1000	1	40	3/8" Barb	50.90 R
EF2200	2.2	70	3/8" NPT	96.60 R
EF3000	3	60	1/2" NPT	129.00 R
EF4000	4	60	1/2" NPT	150.50 R
EF5500	5.5	60	1/2" NPT	217.50 R
EF7000	7	60	1/2" NPT	370.75 R
12 VOLT DIAPHRAGM PUMP - QUICK ATTACH				
PART#	GPM	PSIMax	PORT	PRICE
EF2200QA	2.2	70	QA	100.15 R
EF3000QA	3	60	QA	131.75 R
EF4000QA	4	60	QA	153.00 R
EF5500QA	5.5	60	QA	221.15 R
EF7000QA	7	60	QA	370.75 R



QUICK ATTACH ENDS		
PART#	DESCRIPTION	PRICE
EFQCM12	QA x 1/2" MNPT	5.17 D
EFQCA38	QA x 3/8" Hose Barb	3.66 D
EFQCA12	QA x 1/2" Hose Barb	3.94 D
EFQCA34	QA x 3/4" Hose Barb	4.54 D
EFQCEL38	QA x 3/8" Hose Barb Elbow	4.37 D
EFQCEL12	QA x 1/2" Hose Barb Elbow	5.17 D
EFQCEL34	QA x 3/4" Hose Barb Elbow	8.66 D



EF2200QA



**EF3000QA, EF4000QA
EF5500QA**



EF7000QA

EVERFLO REPLACEMENT PARTS					
Replacement Head Kit					
PART#	EF2200-KIT	EF3000-KIT	EF4000-KIT	EF5500-KIT	EF7000-KIT
PRICE	67.85 D	91.15 D	106.63 D	155.18 D	177.85 D
Replacement QA Head Kit					
PART#	EF2200QA-KIT	EF3000QA-KIT	EF4000QA-KIT	EF5500QA-KIT	EF7000QA-KIT
PRICE	67.85 R	91.15 R	106.63 R	155.18 R	177.85 R

CABLES		
PART#	DESCRIPTION	PRICE
WH-C	10' On/Off Switch Assembly w/Alligator Clips and 2 Pin Connectors	21.63 A
WH-DCP	8' On/Off Switch Assembly w/Fused DC Plug and 2 Pin Connector	21.63 A

DURA PRODUCTS

Auto-Batch Herbicide Meter



DPAB-12E (EPDM)	\$968.00 A
DPAB-12V (VITON)	\$993.00 A
DPAB-15E (EPDM)	\$968.00 A
DPAB-15V (VITON)	\$993.00 A

- * Select manual or automatic operation with the flip of a switch
- * Optimized for repeatable batching; returns to last volume dispensed
- * 100% moisture sealed circuitry
- * Dura-Meter with impact resistant Lexan faceplate
- * 12 Volt or 110 Volt, and EPDM or Viton
- * Measures in gallons, liters and ounces
- * Includes a 2-year Warranty & Maintenance Program

SOTERA
SYSTEMS

SS425B \$1,338.00 P
12VDC
20' battery cable w/clips
30-amp fuse



SS470B \$1,330.00 P
12VAC
6' 18AWG by
3-conductor
w/male type B end

IBC Bracket w/handle

Bottom tote connection fittings:

1" NPT street elbow, 1" Ball Valve, 2" to 1" reducing bushing,
2" female coupler w/female threads, all poly construction

EPDM Hose:

1" x 39' (suction), 1" x 12' (discharge), 2 - 90 degree flanges (inlet/outlet),
Anti Drip Spout, 1" Nozzle Valve w/tip, 2 Year Warranty

TOTE PUMP & GO KIT

FILL-RITE

The Most Versatile, Dependable
Liquid Transfer Pump You Will Ever Need!



Includes:

Dip Tube, Suction Hose, Cam Lock,
Hose Clamp, Discharge Hose, Pump
and Battery Cable and Clamps

PART# SS415BX731PG \$950.00 P 12V

PART# SS460BX731PG \$960.00 P 115V

Pump Specifications:

Reciprocating, spring-driven, dual-diaphragm design

Flow Rates: Up to 15 GPM (1.5 CPS)

Up to 12 GPM (350 CPS)

Materials of Construction:

Pump - Glass filled polypropylene.

*Internal Wetted Parts - Polypropylene,
fluorocarbon and stainless steel.*

Fluid Viscosities - up to 3000+ CPS

Inlet port - 1.0" FNPT

Outlet port - 1.0" FNPT

Particle tolerance - up to 0.1" diameter.

Motor Specifications:

Available in 12 Volt or 115 Volt

Thermal Overload Protection

1/4 HP 12 V draws 20 amps

1/4 HP 60 HZ (110 Volt AC)

Mounts directly to drums, containers, and storage tanks.



Full Season Pump Application!!

Motor Oil, Waste Oil, Hydraulic Fluid, Transmission Fluid, Soaps & Cleaning Fluids,
Antifreeze, Propionic Hay, Seed Treatment Liquids, Crop Protection Materials and
Fertilizers.

CHEMICAL, HERBICIDE PUMPS

Sotera Series 400 Transfer Pump



Model SS415

Pump thick or thin chemicals
Up to 15 GPM
Battery cables & clips
Can pass particulates up to one tenth of an inch

Description:

Positive Displacement 12 volt DC powered Chemical diaphragm pump only.



Model SS417

Pump thick or thin chemicals
Up to 15 GPM
Battery cables & clips
Can pass particulates up to one tenth on an inch
Includes 12' discharge hose & nozzle/ball valve

Description: Complete series 700 pump with suction and discharge kit for application as a drum pump or barrel pump. Great for agriculture, industrial maintenance, material handling and car wash.



Model SS419X665

Pump thick or thin chemicals
Up to 15 GPM
Includes hoses & ball valve
Battery cables & clips
Can pass particulates up to one tenth on an inch

Description:

Positive Displacement 12 volt DC powered Chemical diaphragm pump system. Used to adapt to Monsanto keylock adapter.



Model SS445

Pump thick or thin chemicals
Up to 15 GPM
Integral Liquid recirculation
Includes 825 digital meter
Includes hoses, suction tubes, ball valve, battery cables & clips
Can pass particulates up to one tenth of an inch

Description: Basic 12 volt DC transfer pump with Santoprene® diaphragm, 20' battery cable, 1" x 12' EPDM hose, ball-valve nozzle, 825 digital meter, designed for liquid recirculation mixing only and GEM Cap tank mounting.



SOTERA SERIES 400 PUMPS		
PART#	DESCRIPTION	PRICE
SS415B	Pump ONLY	856.00 P
SS420B	Pump w/Hose, Nozzle & Tube	986.00 P
SS445B	Recirculation Pump w/Hose, Nozzle & Tube (GemCap Adapter & Digital Meter)	1,298.00 P
SS417B	Pump w/Hose, Nozzle & Tube (2" NPT or Buttress Opening)	904.00 P

CHEMTRAVELLER® Pumps

The portability and flexibility of the Chemtraveller allows for top and bottom mount directly to drums, containers and storage tanks.

Model: SS435X713

Basic 12 Volt DC transfer pump only with complete top and bottom discharge kits. Provided a wide range of applications for drums, barrels, totes or IBCs.



Model: SS435

Basic 12 Volt DC transfer pump with Santoprene® diaphragms, 20' battery cable/battery clips, 1" x 14" EPDM discharge hose, 1" x 9' EPDM suction hose, ball valve nozzle, 825 digital meter and low profile tubular frame.

Model: SS465X713

Basic 115 Volt AC transfer pump with Santoprene® diaphragms, 1" x 14' EPDM discharge hose, 1" x 9' EPDM suction hose, ball valve nozzle, high profile tubular frame and wheel kit.

CHEMTRAVELLER PUMPS		
PART#	DESCRIPTION	PRICE
SS435BX713	12V PUMP KIT NO METER	1,364.00 P
SS465BX713	115V PUMP KIT W/METER	1,450.00 P

METERS



Model: 850

Description:

Pre-calibrated flowmeter, nutating disc, compact, durable, accurate and for use with many kinds of chemicals. Can be used at the pump or at the end of the hose. Added capability of air sensing. Will not register air.



Model: 825

Description: Pre-calibrated flowmeter, nutating disc, compact, durable, accurate and for use with many kinds of chemicals. Can be used at the pump or at the end of the hose.

SOTERA SYSTEMS FLOWMETERS						
PART#	DESCRIPTION	GPM	ACCURACY	CALIBRATE	INLET/ OFFLET	PRICE
FR-825	825 DIGITAL METER	2 TO20	+/- 0.5%	YES	1"	321.00 P
FR-850	850 DIGITAL METER	2 TO 20	+/- 0.5%	YES	1"	412.00 P



DRY DISCONNECT - PF SERIES		
PART#	DESCRIPTION	PRICE
DPCF100	Coupler - 1" FML x FPT Poly	92.70 D
PF-1002-32MP	Coupler - 1" Nipple x 2" NPT	39.00 R



DURA PRODUCTS

CHEMICAL TRANSFER PUMPS & METER



DURA-ABS AUTO-BATCH SYSTEM

How It Works

- 1 Select the volume desired
- 2 Press **START**
- 3 The pump will begin to dispense fluid and automatically shuts off when complete.

- * Intuitive interface allows for the selection of manual or automatic operation with the flip of a switch
- * High-flow pump with up to 15GPM flow rate
- * Optimized for repeatable batching; returns to the last volume amount dispensed
- * 100% moisture sealed circuitry
- * Includes Dura-Meter with impact resistant Lexan faceplate
- * Available in 12 Volt or 110 Volt, and EPDM or Viton options
- * 2 year warranty

PART#	DESCRIPTION	PRICE
DPABS-6318V-12	VITON 12 Volt	1,894.00 A
DPABS-6318V-110	VITON 110 Volt	1,980.00 A



The **DuraPump Easy-Caddy Frame Assembly** provides the ability to quickly attach the pump system to the frame of the IBC/cage tank. The system includes a 1" x 12' EPDM discharge hose, 1" x 18" EPDM suction hose, 2" cam lock, with hose barbs and hose clamps, and ball valve nozzle.

DPE-6018V-12 (Viton, 12V, without meter) \$985.00 A

DPE-6018V-110 (Viton, 110V, without meter) \$1,072.00 A



The **DuraPump top unload** configuration allows for the pump to be vertically threaded into a standard 2" NPT bung. Included is a telescoping dip tube, 1" x 12' EPDM discharge hose with hose barbs and hose clamps, ball valve nozzle.

DPT-6018V-12 (Viton, 12V, w/o meter) \$885.00 A

DPT-6018V-110 (Viton, 110V, w/o meter) \$969.60 A



The **DuraPump bottom unload** configuration allows for the pump to be mounted to the bottom 2" valve. Included is a 2" cam lock, 1" x 12' EPDM discharge hose with hose barbs and hose clamps, ball valve nozzle.

DPB-6018V-12 (Viton, 12V, without meter) \$912.00 A

Dura-Meter



- * Made of impact resistant Lexan faceplate
- * 100% moisture-sealed circuitry makes meter impervious to water intrusion
- * Menu driven backlit display
- * Plumbed both for in-line and 90 degree applications
- * Features 2 -year Warranty & Maintenance Program

DP-3000V (Viton) \$379.00 A

DURA PRODUCTS

HIGH-FLOW DURA-METER NOW AVAILABLE IN 2" & 3"



- * The High-Flow Dura-Meter is made of impact resistant Lexan faceplate. Made with 100% moisture-sealed circuitry, the meter is impervious to water intrusion.
- * This High-Flow meter can be calibrated to achieve +/- 0.5% accuracy and significantly reduce Straight Inlet/Outlet requirements.
- * The High-Flow Dura-Meter uses an industry leading menu driven backlit display. Plumbed both for in-line and 90 degree applications, adding to its versatility. 2" M220 manifold flanged meter body allows for multiple plumbing options.

DP-HFM2V (VITON) \$1,096.00 A
DP-HFM3V (VITON) \$1,377.00 A

- * 2 Year Maintenance Program and warranty come standard.

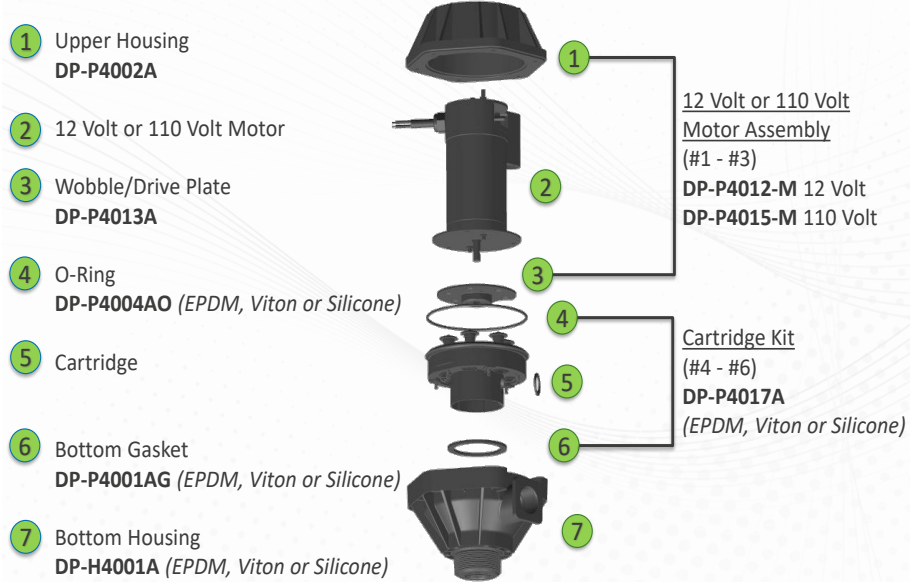
Diaphragm Transfer Pump



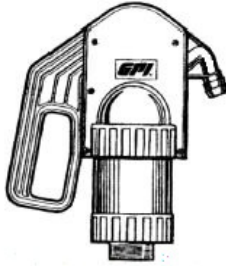
DP-6018V-12 (12v, Viton) \$841.00 A
DP-6018V-110 (110v, Viton) \$924.00 A

The DuraPump is self priming, can be run dry without damage, has an internal bypass, and is easily field repairable. The DuraPump suction port is configured with a 2" Male NPT x 1" Female NPT for easy plumbing capabilities. The discharge port is a 1" Female NPT. The DuraPump features 2 year warranty.

DURA-PUMP PARTS			
Ref #	PART #	DESCRIPTION	PRICE
1	DP-P4002A	Upper Housing	50.75 A
	DP-P4012-M	12V Motor Assembly (#1 - #3)	631.75 A
	DP-P4015-M	110V Motor Assembly (#1 - #3)	626.50 A
4	DP-P4004AO-E	O-ring EPDM	16.25 A
4	DP-P4004AO-V	O-ring Viton	21.00 A
5	DP-P6017A-E	Cartridge Kit EPDM (#4 - #6)	372.80 A
5	DP-P6017A-V	Cartridge Kit Viton (#4 - #6)	396.80 A
6	DP-P4001AG-E	Bottom Gasket EPDM	22.93 A
6	DP-P4001AG-V	Bottom Gasket Viton	26.75 A
7	DP-H4001A-E	Bottom Housing EPDM	101.50 A
7	DP-H4001A-V	Bottom Housing Viton	113.75 A



CHEMICAL, HERBICIDE PUMPS



SINGLE ACTION PISTON HAND PUMP
 DESIGNED FOR HERBICIDES, INSECTICIDES, FUNGICIDES & FERTILIZERS
 POLYPROPYLENE AND VITON WETTED PARTS
 ADJUSTABLE SUCTION PIPE
 ONE PINT PER STROKE
 3/4" INLET & 1/2" ANTI-DRIP SPOUT WITH HOSE BARB
 MOUNTS EASILY ON 55 GALLON BARREL OR TANK WITH 2" NPT THREADS

PART# LP-50H \$140.86 A



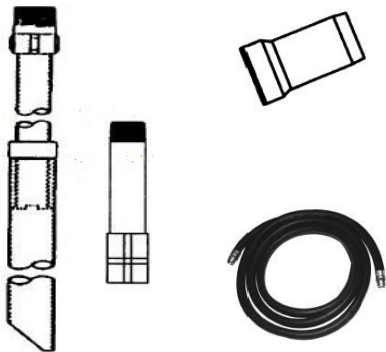
12VDC MOTOR WITH LOW AMP DRAW OF 15-25 AMPS UNDER NORMAL CONDITIONS, LIGHTWEIGHT, DURABLE MOLDED PLASTIC HOUSING
 DEPENDABLE ROTARY GEAR DESIGN
 30 MINUTE DUTY CYCLE
 INSTALLS ON 2" BUNG
 HIGHLY PORTABLE WITH CARRYING HANDLE

PART# P-120H \$1,238.93 A



PUMP RATE TO 30 GPM, EASY-CHANGE STROKE SETTING (2 OR 1 QUART)
 PUMPS WIDE VARIETY OF PRODUCTS, LIGHTWEIGHT ALUMINUM CONSTRUCTION, FITS CONTAINERS WITH 2" BUNG, VITON SEALS
 HARDENED STEEL HANDLE, SPIN COLLAR FOR EASY INSTALLATION
 AIR VALVE IN BODY TO PREVENT SIPHONING
 BUILT-IN NOZZLE HOLDER
 COMES WITH 40" SUCTION TUBE & 8' EPDM HOSE

PART# HP100-C \$515.92 A



GPI ACCESSORIES		
PART#	DESCRIPTION	PRICE
110100-2	PLASTIC ADJUSTABLE DROP PIPE 22" TO 40"	52.10 P
F0236	ANTI-DRIP FOR BANJO NOZZLE	25.00 Y
F0237	ANTI-DRIP FOR NORWESCO NOZZLE	44.00 Y
110094-1	EPDM CHEMICAL RESISTANT HOSE ASSY 15'	63.12 P
CHEM1-12	EPDM HOSE ASSMY 1" x 12'	63.04 R

PLANTER MANIFOLDS REBOUNDER SEED COVERS

PLMK12, 16 & PLMK24

Wilger style Planter Manifolds for application of starter fertilizer and chemicals.

12 row section shown, Kit includes: 2 or 4 “six row manifolds”, orifices, 1/4” tubing for each row, 30’ 1/2” supply hose, 1/4” push tube outlets.

MOUNTING HARDWARE NOT INCLUDED.

PART#	PLMK12	\$525.00 P
PART#	PLMK16	\$675.00 P
PART#	PLMK24	\$1,025.00 P



MOUNTING PLATES/LED LIGHTS

MOUNTING PLATE		
PART #	DESCRIPTION	PRICE
TA-H3706	6 Row for CDS-John Blue & Redball Flow Monitors	28.00 NET
TA-H3712	12 Row for CDS-John Blue & Redball Flow Monitors	43.00 NET
TA-IW3706	6 Row for Wilger Flow Monitors	32.50 NET
TA-IW3708	8 Row for Wilger Flow Monitors	38.50 NET
TA-IW3712	12 Row for Wilger Flow Monitors	49.50 NET
TA-IW3716	16 Row for Wilger Flow Monitors	58.50 NET
TA-IW3718	18 Row for Wilger Flow Monitors	65.50 NET
LED LIGHT STRIP		
PART #	DESCRIPTION	PRICE
TA-6RLED	6 Row LED Light Strip w/Plug	29.50 NET
TA-8RLED	8 Row LED Light Strip w/Plug	37.50 NET
TA-12RLED	12 Row LED Light Strip w/Plug	49.50 NET
TA-16RLED	16 Row LED Light Strip w/Plug	58.50 NET
TA-18RLED	18 Row LED Light Strip w/Plug	65.50 NET

REBOUNDER

REBOUNDERS & ACCESSORIES		
PART#	DESCRIPTION	PRICE
REB-02	Super Tough Orange JD	30.00 NET
REB-03	Y-Not Split Kit	6.75 NET
REB-04	Hose Holder Kit	6.00 NET
BCV6	Bullet Check Valve	6.75 NET
W	Wedge	3.00 NET



PLANTER PUMPS FOR FERTILIZER

EVERFLO DIAPHRAGM PUMP



5.5 GPM open flow

Motor: 12 VDC permanent magnet, totally enclosed, non-ventilated

Pump: 5 chamber positive displacement diaphragm pump, self priming, capable of being run dry, demand mode

Inlet/Outlet Ports: 1/2" FNPT

PART# EF5500 \$217.50 R



PLPK5.5M

Manual pump kit for application of starter fertilizers and chemicals.

Kit includes: 5.5 GPM pump, strainer, regulator, glycerin gauge, valve, all plumbing, 3/4" inlet, 1/2" outlet, mounting bracket, assembled as shown.

PART# PLPK5.3M \$425.00 P



PLPK5.5E

Electric control pump kit for application of starter fertilizer and chemicals.

Kit includes: 5.5 GPM pump, strainer, valve, all plumbing, 3/4" inlet, 1/2" outlet, gauge tubing for remote gauge mounting bracket not included, assembled as shown. Need 3BEC control or other electric control.

PART# PLPK5.3E \$375.00 P



MSC30-DD

Electric Control for Planter Pumps.

25 amp motor control with stainless steel gauge, will work with all electric diaphragm pumps.

PART# MSC30-DD (Digital) \$600.00 R



WILGER FLOW TUBES & PLANTER MANIFOLD KITS

Easy to see, visual indicator of liquid flow. If one of the “float balls” is lower than the others, there is a blockage. Individual columns clip together so you can gang as many or as few columns as you need. Exclusive O-ring seal and joint clip system is easy to assemble and service. Range of “float balls” lets you match to your flow rate. 3/8”, 1/2” & 3/4” inlet and/or outlet fittings. 100 PSI maximum operating pressure. UV protected material stays clear.



PART#	DESCRIPTION	PRICE
20460-00	FLOW INDICATOR ASSEMBLY with BUNA-N O-RING	28.00 D
20460-02	BALL RETAINER	.87 D
20460-03	O-RING BUNA-N #212	.40 D
20460-04	LOCK U-CLIP, 302SS	2.11 D
20460-05	BALL-FLOW INDICATOR - 1/2", 302SS	2.13 D
20460-06	BALL-FLOW INDICATOR - MAROON GLASS	1.02 D
20460-07	BALL-FLOW INDICATOR - RED CELCON	1.02 D
20460-08	BALL-FLOW INDICATOR - GREEN POLYPRO	1.02 D
20460-10	BALL-FLOW INDICATOR - 7/16", 302SS	2.30 D
20460-13	BALL-FLOW INDICATOR - ORANGE POLYPRO	1.02 D
20501-00	ORS x HOSE SHANK - STRAIGHT - 3/8"	3.75 D
20502-00	ORS x HOSE SHANK - STRAIGHT - 1/2"	3.75 D
20503-00	ORS x HOSE SHANK - STRAIGHT - 3/4"	3.75 D
20511-00	ORS x HOSE SHANK - 90 DEGREE - 3/8"	3.75 D
20512-00	ORS x HOSE SHANK - 90 DEGREE - 1/2"	3.75 D
20513-00	ORS x HOSE SHANK - 90 DEGREE - 3/4"	3.75 D
20516-00	ORS MALE x 1/4" PUSH-IN TUBE - 90 DEGREE	6.69 D
20517-00	ORS MALE x 3/8" PUSH-IN TUBE - 90 DEGREE	7.39 D
20518-00	ORS MALE x 1/4" NPTF 90 DEGREE	3.75 D
20519-00	ORS MALE x 1/4" NPFT	3.75 D
20520-00	ORS MALE x ORS FEMALE - 90 DEGREE	7.95 D
20521-00	ORS CAP	4.41 D
20523-00	ORS MALE x ORS FEMALE x 3/8" NPTF - ISOLATOR TEE	8.37 D
20524-00	ORS MALE x ORS FEMALE x 3/8" NPTF - TEE	8.37 D
20525-00	ORS MALE x ORS MALE x 1" NPTF FE - TEE	10.01 D
20526-00	ORS MALE x ORS MALE x ORS FEMALE - TEE with 1/4" NPTF PORT	10.01 D
21000-00	ORIFICE INSERT ASSY BLANK with SEAL	1.02 D
21025-01	ORIFICE INSERT ASSY - 0.025" DIA with SEAL	3.87 D
21055-01	ORIFICE INSERT ASSY - 0.055" DIA with SEAL	3.87 D
21070-01	ORIFICE INSERT ASSY - 0.070" DIA with SEAL	3.87 D
21104-01	ORIFICE INSERT ASSY - 0.104" DIA with SEAL	3.87 D
21250-01	ORIFICE INSERT ASSY - 0.250" DIA with SEAL	3.87 D

Flow Indicator Ball & Metering Orifice Flow Chart



1 Calculate the flow rate required with this formula; $GPM = GPA \times MPH \times \text{Nozzle Spacing in inches}$
5940

2 Combine the flow rates of all nozzles connected to a column.

3 For solutions other than water, find the conversion factor for the weight of the solution in the chart.

4 Multiply the calculated GPM by the conversion factor from the chart.

5 Find the ball and metering orifice for the flow in the charts.

Conversion Factor Chart								
Weight lbs/gallon	7.00	8.34 Water	9.00	10.00	10.65	11.00	12.00	14.00
Specific Gravity	0.64	1.00	1.08	1.20	1.28	1.32	1.44	1.68
Conversion Factor	0.92	1.00	1.04	1.10	1.13	1.15	1.20	1.30

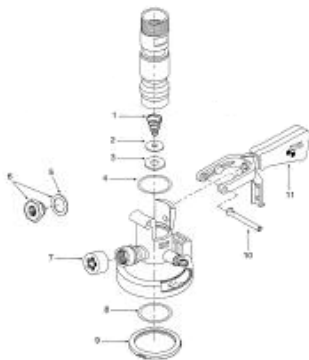
Flow Ball Chart		Flow Range per Column	
PART#	Ball	From	To
20460-08	Green Polypro	0.05	0.18
20460-07	Red Celcon	0.09	0.30
20460-06	Maroon Glass	0.31	0.72
20460-05	1/2" SS	0.40	1.33
20460-10	7/16" SS	1.00	2.70

Flow Metering Orifice Insert Chart													
Part Number Code: 3 Numbers Following 21 Are Orifice Size in 0.000"; -00 for Buna, -V0 Viton													
To install metering orifice, remove ball retainer, insert O'ring end of orifice into ORSM end on outlet fitting.													
Pressure PSI							Pressure PSI						
PART#	5	10	15	20	30	40	PART#	5	10	15	20	30	40
21009-XX	0.004	0.005	0.006	0.007	0.009	0.01	21104-XX	0.48	0.68	0.83	0.96	1.17	1.35
21011-XX	0.006	0.008	0.01	0.011	0.014	0.016	21107-XX	0.52	0.73	0.90	1.04	1.27	1.47
21013-XX	0.008	0.011	0.013	0.016	0.019	0.022	21110-XX	0.55	0.77	0.95	1.09	1.34	1.55
21015-XX	0.010	0.014	0.018	0.02	0.025	0.029	21113-XX	0.58	0.82	1.01	1.16	1.42	1.64
21018-XX	0.015	0.021	0.025	0.029	0.036	0.042	21116-XX	0.61	0.86	1.05	1.22	1.49	1.72
21020-XX	0.016	0.026	0.032	0.037	0.045	0.052	21120-XX	0.63	0.89	1.09	1.26	1.54	1.78
21022-XX	0.022	0.031	0.037	0.043	0.053	0.061	21125-XX	0.69	0.98	1.20	1.39	1.70	1.96
21025-XX	0.028	0.039	0.048	0.056	0.068	0.079	21128-XX	0.72	1.02	1.25	1.45	1.77	2.04
21028-XX	0.035	0.049	0.06	0.069	0.085	0.098	21132-XX	0.78	1.10	1.34	1.55	1.90	2.19
21031-XX	0.043	0.061	0.075	0.087	0.11	0.12	21136-XX	0.84	1.19	1.46	1.68	2.06	2.38
21034-XX	0.052	0.073	0.09	0.10	0.13	0.15	21140-XX	0.89	1.26	1.55	1.79	2.19	2.53
21037-XX	0.061	0.086	0.11	0.12	0.15	0.17	21144-XX	0.93	1.31	1.61	1.85	2.27	2.62
21040-XX	0.072	0.10	0.13	0.14	0.18	0.20	21147-XX	0.95	1.35	1.65	1.90	2.33	2.69
21043-XX	0.082	0.12	0.14	0.16	0.20	0.23	21150-XX	1.02	1.44	1.77	2.04	2.50	2.89
21046-XX	0.095	0.13	0.16	0.19	0.23	0.27	21152-XX	1.05	1.49	1.82	2.10	2.58	2.98
21049-XX	0.10	0.15	0.18	0.21	0.26	0.29	21156-XX	1.10	1.55	1.90	2.20	2.69	3.11
21052-XX	0.12	0.17	0.21	0.24	0.29	0.33	21161-XX	1.16	1.63	2.00	2.31	2.83	3.27
21055-XX	0.13	0.19	0.23	0.27	0.33	0.38	21166-XX	1.21	1.71	2.10	2.42	2.97	3.43
21057-XX	0.14	0.20	0.24	0.26	0.35	0.40	21171-XX	1.33	1.88	2.30	2.66	3.26	3.76
21060-XX	0.16	0.22	0.27	0.32	0.39	0.45	21177-XX	1.41	2.00	2.45	2.83	3.46	4.00
21063-XX	0.17	0.25	0.30	0.35	0.43	0.49	21182-XX	1.47	2.08	2.55	2.95	3.61	4.17
21067-XX	0.20	0.28	0.34	0.39	0.48	0.56	21187-XX	1.56	2.21	2.70	3.12	3.82	4.41
21070-XX	0.22	0.31	0.37	0.43	0.53	0.61	21196-XX	1.73	2.45	3.00	3.46	4.24	4.90
21073-XX	0.23	0.33	0.40	0.47	0.57	0.66	21205-XX	1.87	2.85	3.25	3.75	4.59	5.30
21075-XX	0.25	0.35	0.42	0.49	0.60	0.69	21213-XX	2.02	2.85	3.49	4.03	4.94	5.70
21078-XX	0.27	0.39	0.47	0.54	0.67	0.77	21218-XX	2.11	2.98	3.65	4.21	5.16	5.96
21081-XX	0.29	0.41	0.50	0.58	0.71	0.82	21234-XX	2.45	3.47	4.25	4.61	6.01	6.94
21086-XX	0.33	0.47	0.57	0.68	0.81	0.94	21250-XX	2.83	4.00	4.90	5.86	5.93	8.00
21089-XX	0.35	0.49	0.60	0.69	0.85	0.98							
21091-XX	0.37	0.52	0.64	0.74	0.91	1.05							
21093-XX	0.39	0.55	0.67	0.77	0.95	1.09							

MICRO MATIC COMPONENTS

MACRO VALVE COUPLERS ELIMINATE CONTAINER RINSING AND DISPOSAL.
THE EFFICIENT, CLOSED SYSTEM MINIMIZES EXPOSURE IN LIQUID TRANSFER SYSTEMS.

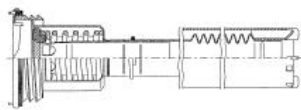
MACRO VALVE



PART#	DESCRIPTION	PRICE
724-065	VALVE Viton SEALS	374.75 P
724-067	VALVE EPDM SEALS	366.86 P

REF#	PART#	DESCRIPTION	PRICE
1	100-615	NVR Spring	7.35 P
2	724-320	NVR Spring Retainer	15.92 P
3	102-525	Probe Seal EPDM	6.01 P
3	102-875	Probe Seal Viton	12.06 P
4	102-746	O-ring EPDM	4.08 P
4	102-872	O-ring Viton	5.75 P
5	102-848	Washer, Nylon	1.35 P
6	724-106	Thread Adapter Kit	13.25 P
7	102-553	Main Gasket EPDM	21.30 P
7	102-874	Main Gasket Viton	33.47 P
8	724-131	PRV Assy. EPDM	32.60 P
8	724-133	PRV Assy. Viton	36.15 P
9	724-102	Handle Hinge Pin	7.35 P
10	748-100	Pull Handle Assy.	76.63 P
	3062MB	SEAL KIT EPDM	55.51 P
	3063MB	SEAL KIT Viton	57.75 P

ACCESSORIES



MOUNTING BRACKET

PART# CC2302
PRICE: \$56.91 P



RINSING SOCKET, EPDM

PART# CC2511
PRICE: \$115.89 P



FLEX TUBE ASSY

PART# 743-203
PRICE: \$8.00 P

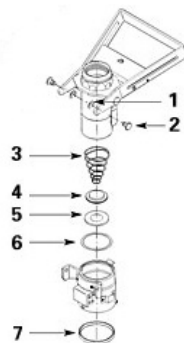


RINSING SOCKET, EPDM

PART# CC2301
PRICE: \$159.99 P

PART#	DESCRIPTION	PRICE
743-007	2" BSP, EPDM (fine)	58.45 P
743-008	2" BSP, Viton (fine)	63.92 P
743-086	2.5" x 5 Buttress, EPDM	58.45 P
743-087	2.5" x 5 Buttress, Viton	63.92 P

DRUM VALVE



DRUM VALVES		
PART#	DESCRIPTION	PRICE
5073	VALVE VITON SEALS	187.20 P
744-002	VALVE EPDM SEALS	177.65 P
744-003	VALVE VITON SEALS	187.20 P

REF#	PART#	DESCRIPTION	PRICE
1	101-753	Retaining Ring	2.41 P
2	744-319	Grooved Handle Pin	3.82 P
3	100-031	Dry Break Spring	2.43 P
4	744-314	Dry Break Insert	6.48 P
5	102-073	Probe Seal EPDM	3.82 P
5	102-074	Probe Seal Viton	14.00 P
6	102-061	Body O-ring EPDM	3.80 P
6	102-062	Body O-ring Viton	7.51 P
7	102-067	Main Gasket EPDM	8.28 P
7	102-068	Main Gasket Viton	12.60 P
	3080DV	Seal Kit	32.00 P

SAFETY EQUIPMENT

DECONTAMINATION KIT

- WSK-28
- 1 Draw String Bag
- 1 Gallon Water Bottle
- 1 16oz Eyewash Bottle
- 1 Tyvek Suit
- 1 Pair Tyvek Booties
- 1 Pair 224 Chemical Gloves
- Towels
- 4oz Liquid Suds Soap

\$48.00 NET

CHEMICAL GLOVES



PART#	SIZE	PRICE
37-145-10	10 - 13"	3.75 P
37-145-11	11 - 13"	3.75 P
37-165-10	10 - 15"	14.00 P
37-165-11	11 - 15"	14.00 P

TYVEK COVERALLS

DISPOSABLE COVERALLS MADE OF DUPONT TYVEK MATERIAL FOR DURABILITY, ECONOMY AND PRACTICALITY. FULL CUT FOR COMFORT WITH FULL LENGTH ZIPPER AND SHIRT COLLAR.



PART#	SIZE	PRICE
C-XL	XL	13.00 P
C-XXL	XXL	13.00 P
C-XXXL	XXXL	15.00 P
C-XXXXL	XXXXL	15.00 P

NITRILE GLOVES



\$36.00 P

- PART# DT120-M
- PART# DT120-L
- PART# DT120-XL
- PART# DT120-XXL

NITRILE GLOVES



\$28.00 P

- PART# RAVEN-M
- PART# RAVEN-L
- PART# RAVEN-XL
- PART# RAVEN-XXL

FOGLESS SOFTSIDE GOGGLES



PART# 552F \$8.00 P

NH3 GLOVE



- PART# C85 \$8.00 P
- PART# C85HD \$13.50 P
(HEAVY DUTY)

MECHANIC GLOVES



- PART# MC18-L \$14.00 P
- PART# MC18-XL \$14.00 P

MECHANIC GLOVES DEERSKIN



- PART# MCD22-L \$30.00 P
- PART# MCD22-XL \$30.00 P

SURVIVAIR DUAL CARTRIDGE RESPIRATOR

DURABLE SILICONE FACEPIECE GUARANTEED TO WITHSTAND FIVE YEARS OF WASHING NEW, IMPROVED YOKE AND HEAD HARNESS DESIGN REDUCES FACEPIECE SLIPPAGE, UNIQUE SLIDING ADJUSTMENT SYSTEM ON HEAD HARNESS KEEPS LOOSE STRAPS SECURE AND OUT OF WEARER'S VISION.



PART#	DESCRIPTION	PRICE
53P71-LAR	RESPIRATOR	53.00 P

MISCELLANEOUS



PART# JETRINSE \$50.00 R

JET RINSE

THE JET RINSE NOZZLE ELIMINATES TRIPLE RINSING OF CHEMICAL CONTAINERS. USE IT ON METAL OR PLASTIC CONTAINERS. THE NOZZLE DIRECTS WATER IN SEVERAL DIRECTIONS TO PROPERLY RINSE THE CONTAINER. CONTAINER RESIDUES THEN GO DIRECTLY INTO THE SPRAY TANK.



TIP CLEANING BRUSH

PART# CP20016-NY \$11.50 D



CALIBRATION CONTAINER

PART# CP24034-PP \$51.83 D

PART# FJ025 (8.5OZ) \$ 7.00 A

PART# FJ100 (32OZ) \$ 10.00 A

PART# FJ200 (64OZ) \$12.50 A

PART# FJ300 (128OZ) \$17.50 A



HOSE CUTTER

PART#	DESCRIPTION	PRICE
KCSS200	Large Hose Cutter	29.41 Y
SSB200	Blade Large Cutter	11.27 Y
KCT100	Small Hose Cutter	23.79 Y
B8983	Blade Small Cutter	17.00 D

DENSITY SCALE

PART# FE8000 \$84.66 P

PART# FE8888 \$38.17 P



TUBE CUTTER

PART#	DESCRIPTION	PRICE
44103218	Tube Cutter	12.63 Y
44103219	Replacement Blade	3.72 Y



PLASTIC HOSE CLAMPS

PLASTIC HOSE CLAMPS							
Part#	Min Dia	Max Dia	Price	Part#	Min Dia	Max Dia	Price
HCP1	0.228	0.256	.59 S	HCP10	0.569	0.65	.69 S
HCP1.25	0.269	0.291	.63 S	HCP12	0.616	0.707	.63 S
HCP1.5	0.307	0.342	.69 S	HCP14	0.702	0.801	.69 S
HCP2	0.351	0.394	.69 S	HCP16	0.759	0.848	.69 S
HCP3	0.387	0.44	.61 S	HCP18	0.779	0.899	.69 S
HCP4	0.404	0.452	.69 S	HCP19	0.859	0.989	.68 S
HCP6	0.449	0.511	.72 S	HCP22	0.928	1.072	.72 S
HCP7	0.453	0.546	.72 S	HCP24	0.985	1.135	.72 S
HCP8	0.513	0.586	.72 S	HCP28	1.123	1.296	.72 S

MISCELLANEOUS



**FRESH CAB
BOTANICAL
RODENT REPELLENT**
PART# FRESHCAB \$15.00 NET

Simply place Fresh Cab pouches in enclosed areas and you are set.

For non-infested areas, place one pouch for every 125 sq. ft.

Scent lasts up to 90 days.

For infested areas, increase to 1 pouch per 8 sq. ft. and replace every 30 days.



Spray Advantage Windsock

PART# WINDSOCK \$35.00 NET



KESTREL POCKET WIND METER

PART# 1000 \$159.08 P

Accurate, rugged hand-held wind/airflow meter with large, replaceable impeller.

Measures and displays maximum, current and average wind speed in m/s, ft/min, km/h, kt, B on large, clear LCD.

Waterproof, floats, drop-tested to military standards.

Includes slip-on protective cover, neck lanyard, CR2032 coin cell battery and 5-year warranty.



AGRICULTURAL WINDSOCK KIT

Calibrated to indicate wind-speeds from 2 to 12 miles per hour.
(windsock, fiberglass pole, hardware)

PART# AGW-100 \$80.00 NET

Replacement Sock
PART# AGW-100R \$60.00 NET



PART# 2000 \$174.27 P

Accurate, rugged hand-held wind/airflow meter with large, replaceable impeller and responsive temperature sensor.

Measures and displays maximum, current and average wind speed, wind chill and air/snow/water temperature (F, C) on large, clear LCD.

Waterproof, floats, drop-tested to military standards.

Includes slip-on protective cover, neck lanyard, CR2032 coin cell battery and 5-year warranty.



WINDSOCK KIT
(windsock, 30" pole, brackets, hardware)
PART# AWCK-10 \$110.00 NET

Replacement Sock
PART# AWCS10-36 \$50.00 NET

GARDEN & HAND SPRAYERS



MASTER GARDENER -Rechargeable Sprayer

FEATURES:

- * Rechargeable 12 Volt Battery
- * 2 Hour Run Time on Single Charge
- * Front Mounted Nozzle with 50" Swath
- * 18' Vertical and 20' Horizontal Spray
- * Includes Hitch Bar for Towing
- * 12" Wheels
- * 9 Gallon Tank
- * Ideal for Applying Insecticides & Herbicides

PART# PS9 \$275.00 P

8.0 Liter Hand Sprayer

- *Lightweight and Easy to Use
- *Handle-Action Piston Pump
- * Single Conical Spray Tip
- * Large Mouth for Easy Filling
- * Pressure Relief Valve
- * Ergonomic Handle

PART# HS-80 \$32.00 D

1.2 Liter Hand Sprayer

- *Lightweight and Easy to Use
- *Handle-Action Piston Pump
- * Single Conical Spray Tip
- * Large Mouth for Easy Filling
- * Pressure Relief Valve
- * Ergonomic Handle

PART# HS-12 \$10.00 D

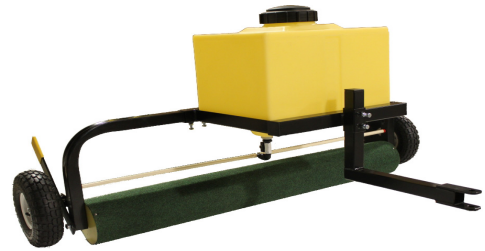


Red Weeder

- * Safer than spraying
- * Easier than hoeing
- * No spray drift
- * No overspray
- * Wipe directly on weed

Replacement caps, gaskets and socks available.

PART# RW1 \$45.00 Y



3', 4' & 6' Weed Roller

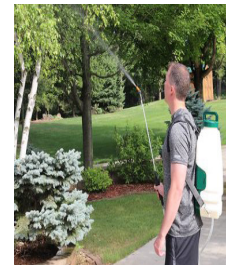
FEATURES:

- * Full-Drain Tru-Kleen Tank
- * Adjustable Hitch or Handle
- * Direct application on plants
- * Pneumatic transport tires
- * Single master shut-off valve

PART# WR36 \$430.00 Y

PART# WR48 \$680.00 Y

PART# WR72 \$980.00 Y



4 Gal BACKPACK Spot Sprayer

Rechargeable Lithium-Ion Backpack Sprayer - Revolt Series

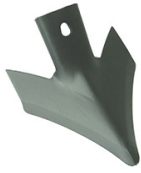
Featuring:

- No pumping - No Wires
- Everflo 1.0 GPM Diaphragm Pump
- Ajustable Shoulder Straps for Comfort
- Enclosed Battery
- Reach up to 18' vertically and 20' horizontally

BPS-REV401 \$121.35 P

NICHOLS TILLAGE TOOLS

SPRING TILLAGE FAVORITES



Quick Change Field Cultivator Sweeps

UWQC7B - 1/4" x 7" Ultra wing shank
UWQC9B - 1/4" x 9"



Bolt on Field Cultivator Sweep

47UW7B7 - 1/4" x 7" ultra wing; 2 - 7/16" holes to fit
1-5/8" - 1-3/4" spacing
47UW9B7 - 1/4" x 9" ultra wing; 2 - 7/16" holes to fit
1-5/8" - 1-3/4" spacing



Double Ended Chisel for Field Cultivators

CC37 - 3/8" x 2" x 12"; 7/16" holes on 1-3/4" center



Spring Harrow Tines

16249 - Wilrich
235784 - Deere
R6000 - Salford

FALL TILLAGE FAVORITES



Double End Wrap Around Chisel

RA8 - 1/2" x 4" x 16"; 1/2" hole on 2-1/4" center
RA8HF - 1/2" x 4" x 16"; 1/2" hole on 2-1/4" center (hardfaced)



Twisted Chisel for Chisel Plow

483L-2 - twisted chisel for chisel plow
483R-2 - twisted chisel for chisel plow



Double End Chisel

HC2C8 - 5/8" x 2" x 17"; 1/2" hole on 2-1/4" center
HC2C1 - 1" x 2" x 17"; 1/2" hole on 2-1/4" center
H23-5 - 1-1/4" x 2-1/2" x 19"; 1/2" hole on 2-1/4" - 2-1/2" center



Single End Chisel

HS13CP - single end chisel

DUE TO THE VOLATILITY IN THE MARKET, PLEASE CALL FOR PRICE & AVAILABILITY.

Assemblies



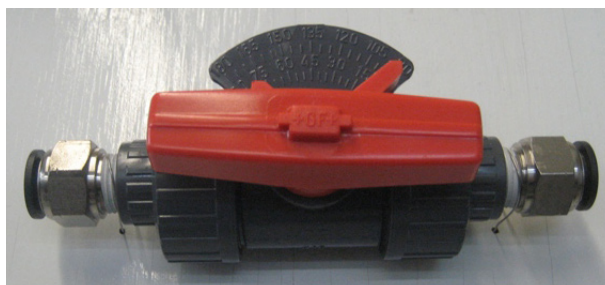
PART# 3002A-1
CHEMICAL TANK MOUNT AIR REGULATOR
TO BE USED WITH PORTABLE AIR TANK OR
CUSTOMER SUPPLIED AIR.



PART# 3024MG
MACRO VALVE
MACRO COUPLER CAN BE USED WITH AIR
PRESSURE OR PUMP (WHEN AIR FITTING
OR REPLACED BY THE FILTER). COVERS
MOST CHEMICALS. BE SURE TO MATCH
THE COUPLER GASKET COLOR TO THE
TANK EXTRACTOR GASKET COLOR.



PART# 3050
TWIN AIR
USE WHEN OPERATING TWO CHEMICAL
TANKS WITH ONE REGULATOR.



PART# 3012E (3/8")
PART# 3012 (1/2")
METERING BALL VALVE
USED TO ACCURATELY METER CHEMICAL
INTO AUGER.



PART# 3017
INLINE LIQUID STRAINER
USE AS INLINE SCREEN TO FILTER OR MIX
PRODUCTS.

CALL FOR PRICING

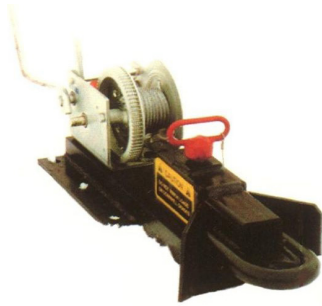
TORPEDO HITCH

THE ANDERSON TORPEDO HITCH

MAKES HOOKING UP TO ANY EQUIPMENT:

- * EASY
- * SPEEDY
- * EFFICIENT
- * LABOR SAVING
- * SAFE

AVAILABLE IN:
* 12VOLT ELECTRIC
* HYDRAULIC



HEAVY DUTY HYDRAULIC
AND/OR ELECTRIC:

- * FREE WHEEL
- * 25' 5/16" AIRCRAFT CABLE

PART #	DESCRIPTION	PRICE
ATH-HE	12 VOLT ELECTRIC TORPEDO HITCH UNIVERSAL MOUNT	3,140.00 NET
60410100	TORPEDO HITCH HYDRAULIC 9000 LBS.	3,612.00 NET
76080	WIRELESS REMOTE WINCH ATH-HE	250.00 NET



Nitro-Bars maximize your fertilizer investment! With every drop, you will increase yields and efficiency. Used with the Air Tram Tramline system, Nitro-Bars enable growers to accurately and uniformly apply nitrogen with unparalleled accuracy.

Highly Accurate

The simple and effective design allows each of the four ports to be fed independently, ensuring equal flow to each port.

Easy and Quick to Assemble

Easy setup to industry-standard 20-inch nozzle spacing on sprayers. They can be fitted to your sprayer in minutes!

Unaffected by Boom Height or Movement

The vertical stream produced means no overlapping pattern.

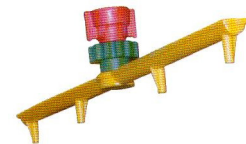
Reduced Risk of Leaf Burn

Fertilizer contact with the crop is minimized by the configuration of the Nitro-Bars and by the large droplets produced at the leaf surface. Fertilizer rolls off the foliage quickly, virtually eliminating the risk of leaf burn.

Adaptable for All Application Rates

Five color-coded, quick-fit adapters are available to encompass flow rates from 5 to 80 gallons per acre.

NITRO-BAR



PART #	DESCRIPTION	PRICE
1040739	NITRO-BAR W/O-RING	12.00 NET
1040753	ADAPTER TEEJET (ORANGE)	6.00 NET
1040740	ADAPTER TEEJET (RED)	6.00 NET
1040741	ADAPTER TEEJET (BLUE)	6.00 NET
1040742	ADAPTER TEEJET (YELLOW)	6.00 NET
1040743	ADAPTER TEEJET (GREEN)	6.00 NET
1040744	ADAPTER HARDI (RED)	9.00 NET
1040749	ADAPTER HARDI (BLUE)	9.00 NET
1040750	ADAPTER HARDI (YELLOW)	9.00 NET
1040751	ADAPTER HARDI (GREEN)	9.00 NET
1040733	O-RING (FOR NITRO-BAR)	.70 NET

DEF TANKS, PUMPS HOSE, NOZZLES & ACCESSORIES

* ANTI SPILL BREATHER

The leak-proof breather keeps Diesel Exhaust Fluid in and keeps dust out.

* TRI LOCK SECURITY

DEF can be locked up and secure with provision to lock the fuel nozzle, fill point and PUMP SHIELD protection cover.

* ANCHOR POINT STRAP GROOVES

Heavy-duty, never-fail strap grooves are built-in on both sides. This makes tying down this unit quick and hassle-free.

* SELF ACTIVATE SHUT-OFF NOZZLE

This well-built DEF fuel nozzle is engineered to shut-off automatically when the machine is completely full.

DEF Fuel Boss®



* PUMP SHIELD COVER

The pump & gun sits neat and tight out of the weather.

* CORODE PROOF MATERIAL

Built with ISO 2224 compliant material, this tank will keep the DEF pure and eliminate engine damage.

* IMPACT FLEX STRUCTURE

With sturdy side-walls, this workhorse is high-impact-resistant and virtually indestructible. Unlike steel or aluminum, it will consistently flex and bounce back.

* BOLT FIX INSERTS

For a more permanent option, the four molded-in inserts in the base of the tank will keep this unit where you put it.

* EASY LIFT HANDLES

Molded-in, solid handles make loading and unloading this unit effortless.

PART#	DESCRIPTION	DIMENSIONS	PRICE
REU025C09S	25 Gallon (Compact)	32" x 27" x 20"	1,805.00 Y
REU055C09S	55 Gallon (Compact)	32" x 27" x 30"	1,880.00 Y
REU075N09S	75 Gallon (Narrow)	51" x 21" x 31"	1,915.00 Y
REU100S09S	100 Gallon (Standard)	47" x 34" x 34"	2,025.00 Y

DEF DISCHARGE HOSE

PART#	DESCRIPTION	PRICE
DEF34	3/4" Hose (Bulk/Per Foot)	12.00 A

DEF DURA-METER



PART# DP-3000D \$366.00 A

- * 100% Moisture-sealed circuitry makes meter impervious to water intrusion
- * Meter calibrated for DEF
- * Same great menu driven backlit display
- * Plumbed for both in-line and 90 degree applications
- * ISO22241-3 Compliant for materials of construction
- * Features 2 Year Service Warranty Plan
- * Includes 2 Year Maintenance Program

Specifications:

- * Operating Temp -10 degrees to 130 degrees F, -23 degrees to 54 degrees C
- * Flow rate of 2 to 22 Gallons per Minute, 4 to 44 Liters per Minute
- * Meter accuracy +/- 0.5%
- * Maximum Pressure: 40 PSI
- * Wetted materials include polypropylene, 304 Stainless Steel, Ryton, EPDM Seals

DEF TANKS, PUMPS HOSE, NOZZLES & ACCESSORIES

DEF Easy-Caddy



The DuraPump DEF Easy-Caddy Frame Assembly provides the ability to quickly attach the pump system to the frame of the IBC/cage tank. The system includes a 3/4" x 15' EPDM discharge hose, 3/4" x 18" EPDM suction hose, 2" cam lock, with hose barbs and hose clamps, and a manual dispensing nozzle.

MANUAL Nozzle		PRICE	AUTOMATIC Nozzle		PRICE
DEFE-6518ME-12	12 Volt	1,008.00 A	DEFE-6518AE-12	12 Volt	1,145.00 A
DEFE-6518ME-110	110 Volt	1,028.00 A	DEFE-6518AE-110	110 Volt	1,170.00 A
DEF Dura-Meter DP-3000D sold separately					
Includes a 2 Year Warranty & Maintenance Program					

DEF Top Unload



The DuraPump DEF Top Unload allows for the pump to be vertically threaded into a standard 2" NPT bung. Included is a telescoping dip tube, 3/4" x 12' EPDM discharge hose with hose barbs and hose clamps, and nozzle.

Without RSV Coupler					
MANUAL Nozzle		PRICE	AUTOMATIC Nozzle		PRICE
DEFT-6018ME-12	12 Volt	800.00 A	DEFT-6018AE-12	12 Volt	992.00 A
DEFT-6018ME-110	110 Volt	830.00 A	DEFT-6018AE-110	110 Volt	1,020.00 A

PUMP ONLY



- * High-Flow pump with up to 15GPM free flow rate and 10+GPM with 3/4" discharge hose and nozzle
- * Self-priming diaphragm pump with internal bypass
- * Motor thermally protected from overheating
- * 30 minute duty cycle
- * Suction ports has 2" Male NPT and 1" Female NPT
- * Pump is easily field serviceable
- * 10 minute shut-off option available (110V only)
- * Features 2 Year Service Warranty plan
- * Includes 2 Year Maintenance Program

PART# DEF-6018E-12 12 Volt \$835.00 A
PART# DEF-6018AS-110 110 Volt \$890.00 A

DIESEL TANKS, PUMP HOSE, NOZZLES & ACCESSORIES



FEATURES:

- * Tank manufactured from specifically formulated diesel grade polyethylene
- * Strong poly lid to protect pump compartment
- * Splash resistant breather installed
- * 10 GPM pump with ON/OFF switch
- * Bypass valve integrated in pump body
- * 3/4" auto shut off nozzle
- * Hose swivel to prevent tangles
- * 15 feet of 3/4" hose with anti kink spring
- * Easy clean suction strainer
- * 3/4" drain bung on tank
- * Nozzle lock plate

PART#	DESCRIPTION	DIMENSIONS	PRICE
RDU025C10D	25 Gallon	31" x 27" x 19"	1,150.00 Y
RDU055S10D	55 Gallon	48" x 34" x 21"	1,270.00 Y
RDU075N10D	75 Gallon	51" x 21" x 31"	1,345.00 Y
RDU100S10D	100 Gallon	48" x 34" x 31"	1,435.00 Y

FUEL TRANSFER HOSE



FEATURES:

- * Designed for use w/12 or 110 Volt "Electric Pumps"
- * Dispense Gasoline, Diesel Fuel and Kerosene
- * High Quality Nitrile Tube
- * Nitrile/PVC Blend Cover
- * Braided Stainless Steel Static Wire is Embedded Between Hose Tube and Cove

PART#	SIZE	PRICE
FA34-15	3/4" x 15'	30.56 P
FA34-20	3/4" x 20'	38.59 P
FA1-15	1" x 15'	44.91 P
FA1-20	1" x 20'	57.20 P

FUEL NOZZLES



PART#	DESCRIPTION	PRICE
DN100	Diesel Nozzle	83.26 P
GN34	Gas Nozzle	54.67 P
UN34	Unleaded Nozzle	53.20 P

FUEL TRANSFER PUMPS



Model: FR1210G

12V DC, 15 GPM heavy duty, cast-iron, rotary vane fuel transfer pump. Designed for gasoline, diesel, biodiesel up to B20, E15, kerosene and mineral spirits. Includes pump, 3/4" manual nozzle, 3/4" x 12' hose with static ground wire, 18' battery cable, and 20"-34" steel telescoping suction pipe. UL/cUL, ATEX, CE motor. Two-year warranty.

Features & Benefits:

- * Up to 15 GPM
- * 1/4 HP motor
- * UL/cUL listed motor
- * Compatible with Diesel, Gasoline, Kerosene, E15, Biodiesel up to B20
- * 2 year warranty
- * 2" threaded base for tank mounting
- * Heavy duty cast iron construction
- * Cast bronze rotor with bronze rotary vanes
- * Built-in strainer
- * 12' hose with static wire
- * Replaces FR1210C



Fill-Rite 12 Volt DC Transfer Pump		
PART#	DESCRIPTION	PRICE
FR1210H	Pump with manual nozzle	582.45 Y



Well known FILL-RITE® fuel transfer pumps meet your stationary and mobile fuel transfer pump needs. See our full line of pumps to find the best pump for your needs.

Model: FR4210G

12V DC, 20GPM heavy duty, cast-iron, rotary vane fuel transfer pump. Designed for gasoline, diesel, biodiesel up to B20, E15, kerosene and mineral spirits. Includes pump, 1" manual nozzle, 1" x 12' hose with static ground wire, 18' battery cable, and 20"-34" steel telescoping suction pipe. UL/cUL, ATEX, CE motor. Two-year warranty.

Features & Benefits:

- * 20 GPM (76 LPM)
- * UL listed motor
- * Heavy duty cast iron
- * Compatible with Diesel, Gasoline, Kerosene, E15, Biodiesel up to B20
- * 2 year warranty
- * 2" threaded base for tank mounting
- * Heavy duty cast iron construction
- * Cast bronze rotor with bronze rotary vanes
- * Built-in strainer
- * 1" x 12' hose with static wire
- * Manual nozzle
- * Replaces FR4210D



Fill-Rite 12 Volt DC Transfer Pump		
PART#	DESCRIPTION	PRICE
FR4210H	Pump with manual nozzle	713.96 Y

NH3 TUBES & KNIVES

LINDSAY

FC-02

FOR USE BEHIND TILLAGE SPIKE OR SWEEP ON FIELD CULTIVATOR. 3/8" OD PINCHED AND DRILLED TUBE x 12" LONG. MOUNTING BRACKET HAS 9/16" HOLE PUNCHING WITH ADJUSTABLE HOLE CENTERS.

PART#	DESCRIPTION	PRICE
FC-02	3/8" CULTIVATOR	16.91 P
CP-02	3/8" CHISEL	21.11 P

CP-02

FOR USE BEHIND TILLAGE SPIKE OR SWEEP ON CHISEL PLOW. 3/8" OD PINCHED AND DRILLED TUBE x 13" LONG. MOUNTING BRACKET HAS 9/16" HOLE PUNCHING WITH ADJUSTABLE HOLE CENTERS.

SELF-CLEARING



PART#	DESCRIPTION	PRICE
CPI	CHISEL TUBE 3/8"	25.29 P
FCI	CULTIVATOR TUBE 3/8"	24.08 P
CPI-1	CHISEL TUBE 1/2"	23.15 P

CP65



HEAVY FOOTED KNIFE FOR CHISEL PLOW APPLICATION. 2" TOP WIDTH MATCHES TO SHANK. 1/2" OVERALL LENGTH. 1/2" HOLE PUNCHING, 2-1/4" TO 2-1/2" HOLE CENTERS. USE 1/2" x 2-1/2" HEX HEAD BOLTS.

CP70



THIN PROFILE TWISTED KNIFE FOR CHISEL PLOWS. 14" OVERALL LENGTH. 1/2" HOLE PUNCHING, 2-1/4" HOLE CENTERS. USE 1/2" x 2-1/2" HEX HEAD BOLTS.

DT4



THIN PROFILE TWISTED KNIFE FOR FIELD CULTIVATORS. 11-1/2" OVERALL LENGTH. 7/16" HOLE PUNCHING, 1-5/8" TO 2" HOLE CENTERS. USE 7/16" x 1-3/4" HEX HEAD BOLTS.

PART#	DESCRIPTION	PRICE
CP65	CHISEL, PLAIN	54.81 P
CP65HS	CHISEL, HARDFACED	72.26 P
CP65-1/2	PLAIN W/1/2" TUBE	35.35 P
CP65HS-1/2	HARD SURFACED W/1/2" TUBE	63.49 P

PART#	DESCRIPTION	PRICE
CP70	TWISTED CHISEL, PLAIN	34.18 P
CP70HS	TWISTED CHISEL, HARDFACED	54.32 P
CP70-C14	TWISTED CHISEL, W/INSERT	59.75 P
CP70-1/2	PLAIN W/1/2" TUBE	35.11 P
CP70HS-1/2	HARD SURFACED W/1/2" TUBE	54.11 P

PART#	DESCRIPTION	PRICE
DT4	TWISTED CULT, PLAIN	25.04 P
DT4HS	TWISTED CULT, HARDFACED	31.71 P
DT4-1/2	PLAIN W/1/2" TUBE	34.55 P
DT4HS-1/2	HARD SURFACE W/1/2" TUBE	46.15 P

DT3



DEVELOPED FOR 1-1/4" WIDE SHANKS ON FIELD CULTIVATORS 10-1/2" OVERALL LENGTH, 7/16" HOLE PUNCHING, 1-3/4" TO 2" HOLE CENTERS. USE 7/16" x 1-3/4" HEX HEAD BOLTS.

PART#	DESCRIPTION	PRICE
DT3	CULTIVATOR, PLAIN	26.79 P
DT3HS	CULTIVATOR, HARD SURFACED	43.03 P

VAPOR DUMP TUBE



USE ON SYSTEMS REQUIRING VAPOR DUMPING SUCH AS DICKEY-JOHN OR RAVEN NH3 SYSTEMS.

PART#	DESCRIPTION	PRICE
214-0002-002	RAVEN DUMP TUBE 3/4"	27.83 A

NH3 PARTS & ACCESSORIES

PART #	MALE PIPE THREAD	ACME THREAD	LENGTH	MFG	PRICE
A-521-B	1"	1-3/4"	3-3/4"	CONTINENTAL	76.69 P
A-577D	1-1/4"	2-1/4"	4	SQUIBB	218.68 P

PART #	MALE PIPE THREAD	ACME THREAD	LENGTH	MFG	PRICE
A-1131-F	1"	1-3/4"	6"	SQUIBB	128.82 P
A-571-B	1"	1-3/4"	6"	CONTINENTAL	109.10 P
A-1132-F	1-1/4"	2-1/4"	6-3/4"	SQUIBB	247.21 P
A-577-C	1-1/4"	1-3/4"	6"	CONTINENTAL	190.19 P



MALE ACME X MALE NPT ADAPTER

PART #	DESCRIPTION	PRICE
ME521S-4	1 3/4" Male Acme x 1/2" MPT	138.64 P
ME215S	1 3/4" Male Acme x 3/4" MPT	58.70 P
A524B	1 3/4" Male Acme x 1" MPT	39.11 P
ME217S	1 3/4" Male Acme x 1 1/4" MPT	69.63 P
ME502S-16/10	2 1/4" Male Acme X 2" MPT	146.84 P
A2059	2 1/4" Male Acme x 1" MPT	206.08 P
A2060	2 1/4" Male Acme x 1 1/4" MPT	132.04 P



MALE ACME X FEMALE NPT ADAPTER

PART #	DESCRIPTION	PRICE
ME213S	1 3/4" Male Acme x 3/4" FPT	54.39 P
ME214S	1 3/4" Male Acme x 1" FPT	48.95 P
ME252S-16	3 1/4" Male Acme x 2" FPT	190.87 P
ME508S-24	3 1/4" Male Acme x 3" FPT	315.26 P



MALE ACME X MALE ACME ADAPTER

PART #	DESCRIPTION	PRICE
A2005	1 3/4" Male Acme x 1 3/4" Male Acme	132.42 P
ME275S	2 1/4" Male Acme x 2 1/4" Male Acme	164.05 P
ME277S	3 1/4" Male Acme x 3 1/4" Male Acme	271.25 P

ACME COUPLINGS



ACME SAFETY COUPLINGS



ADAPTER CAP

PART #	DESCRIPTION	PRICE
ME612S	3 1/4" Female Acme x 1 3/4" Male Acme	255.99 P
A582	2 1/4" Female Acme x 1 3/4" Male Acme	150.61 P

CAPS & CHAINS



PART #	DESCRIPTION	PRICE
ME431FS	Metal Cap 2 1/4" Acme	148.87 P
ME441FS	Metal Cap 3 1/4" Acme	217.40 P
ME229S-1	Metal Cap & Chain 1-3/4" Acme	91.47 P



PART #	DESCRIPTION	PRICE
A2080C	Dust Cap w/Chain for 1 3/4" Acme Thread Plastic	7.39 P

HOSE HANGER ADAPTER



CAUTION:

If using as plug be certain that coupling & valve have been bled before removal. Not leak proof.

PART #	DESCRIPTION	PRICE
A524WB	Parking Plug 1 3/4" Acme	69.23 P
A2024	Parking Plug 2 1/4" Acme	89.72 P

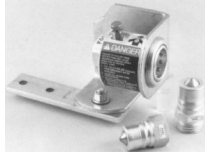
NH3 PARTS & ACCESSORIES

PIONEER BREAKAWAY COUPLERS

POPPET TYPE VALVES ASSURE POSITIVE SHUT-OFF. STEEL BODY MATERIAL, BUNA-N O-RING, POPPET SEAL IS NEOPRENE, CADMIUM PLATED FINISH. UL APPROVED FOR ANHYDROUS AMMONIA IN ACCORDANCE WITH OSHA REGULATIONS. UL APPROVAL IS VOIDED IF COUPLER IS SERVICED OR REBUILT IN THE FIELD. MANUFACTURERS SUGGESTS REMOVAL AFTER 3 YEARS.

1" PIONEER BREAKAWAY COUPLER

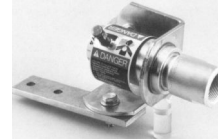
INCLUDES ACME ADAPTER, BRACKET AND BLEEDER VALVE. BRACKET AND COUPLER CANNOT BE PURCHASED SEPARATELY. COUPLER WILL NOT FIT BRACKET PURCHASED BEFORE 1984.



PART#	DESCRIPTION	PRICE
4500-6M	1" Coupler complete	767.94 P
4510-6M	1" Male Tip w/Acme	144.38 P
4503-7	1" Double Swivel Bracket	145.67 P

1-1/4" PIONEER BREAKAWAY COUPLER

PROVIDES MORE THAN 15% ADDITIONAL FLOW POTENTIAL COMPARED TO 1" COUPLER. CAN BE ADAPTED TO 1" ACME ADAPTER SEPARATELY. INCLUDES BRACKET AND BLEEDER VALVE. BRACKET AND COUPLER CANNOT BE PURCHASED SEPARATELY.



PART#	DESCRIPTION	PRICE
4500-7	1-1/4" Coupler Complete	824.10 P
4510-7B	1-1/4" MLT Tip x 1-1/4" FPT	221.11 P
4503-7	1-1/4" Double Swivel Bracket	145.67 P

4510-6



4510-7B



PART#	DESCRIPTION	PRICE
4510-6M	1" Male Tip w/Acme	144.38 P
4510-6	1" Male Tip w/FPT	149.38 P
4510-7B	1-1/4" Male Tip	221.11 P



A 1000 NEEDLE VALVE IS DESIGNED FOR USE IN AMMONIA TANKS TO PROVIDE A SHUT-OFF FOR THE PRESSURE GAUGE. ITS PURPOSE IS TO ALLOW THE OPERATOR TO REMOVE THE GAUGE FOR REPAIR OR REPLACEMENT WITHOUT EVACUATING THE TANK. IT CAN ALSO BE USED ON AN APPLICATOR TO SHUT-OFF THE FLOW TO ONE OR MORE KNIVES.

PART# A-1000 \$148.07 P

THE A-1415 RELIEF MANIFOLD IS USED ON LARGE NH3 TANKS TO ALLOW REMOVAL OF A RELIEF VALVE FOR INSPECTION OR REPLACEMENT WITHOUT THE NEED OF EVACUATING THE TANK. ADEQUATE RELIEF PROTECTION IS PROVIDED BY THE REMAINING RELIEF VALVE IN THE MANIFOLD. BLEEDER VALVES RELIEVE VAPOR PRESSURE UNDER EACH RELIEF AFTER CLOSING THE MANIFOLD PORT AND EACH PORT CAN BE CLOSED SEPARATELY, MEETING CODE REQUIREMENTS.



PART# A-1415-A \$2,269.11 P PART# A-1415 \$1,574.95 P

PRICE INCLUDES (2) A1310A RELIEF VALVES MANIFOLD ONLY

3/4" VAPOR RELIEF



1-1/4" VAPOR RELIEF



PART#	DESCRIPTION	PRICE
A1301A	3/4" Vapro Relief Valve	90.28 P
A1310A	1-1/4" Vapor Relief Valve	347.08 P

VAPOR RELIEF VALVES ARE SAFETY VALVES DESIGNED TO OPEN WHEN TANK PRESSURE RISES ABOVE 250 PSI. USED ON APPLICATOR, STORAGE AND NURSE TANKS. RELIEF VALVES SHOULD BE REPLACED 5 YEARS AFTER THE DATE OF MANUFACTURE WHICH IS STAMPED ON THE VALVE.



THE BLEEDER VALVE HAS A T-HANDLE AND IS DESIGNED TO BLEED-OFF TRAPPED LIQUID OR VAPOR NH3 IN HOSE, VALVE COUPLINGS & PIPING. ALSO FOR INSTALLATION IN TANKS AN 85% LIQUID LEVEL GAUGE. A-410 IS THE SAME VALVE WITH A 12" DIP TUBE FACTORY INSTALLED.

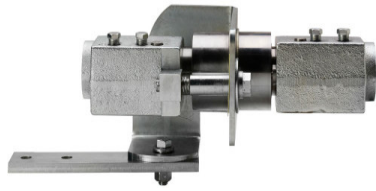
PART#	DESCRIPTION	PRICE
A411	1/4" Bleed Valve	23.57 P
A410	1/4" Bleed Valve w/12" dip tube	51.40 P



HYDROSTATIC RELIEF VALVES ARE DESIGNED TO RELIEVE LIQUID PRESSURE IN VALVES, HOSES OR PIPING WHERE LIQUID MAY BE TRAPPED. PRESSURE SET AT 375 PSI. NOTE: ALL SAFETY RELIEF AND HYDROSTATIC VALVES MUST BE CHANGED 5 YEARS AFTER THE DATE OF MANUFACTURE.

PART# A400 \$52.75 P

NH3 APPLICATION ACCESSORIES



BREAK AWAY COUPLER			
PART#	BRAND	DESCRIPTION	PRICE
A-SWV-125	Continental	Fullport 1-1/4"	1,615.04 P
A-HFC-114	Continental	High Flow 1-1/4"	891.17 P
113028	Squib Taylor Flomax	High Flow 1-1/4"	1,376.92 P
4500-7	Pioneer	Standard 1-1/4"	824.10 P



MANIFOLD			
PART#	BRAND	DESCRIPTION	PRICE
A-MVD-B	Continental	Body - Manifold w/ 1" Hose Barb	251.83 P
MVD-R-16A120	Continental	Ring - 16 Outlet w/ 3/8" Med Flow Barb	200.11 P
MVD-R-16A201	Continental	Ring - 16 Outlet w/ 3/8" High Flow Barb	200.11 P
MVD-R-16B120	Continental	Ring - 16 Outlet w/ 1/2" Med Flow Barb	200.11 P
MVD-R-16B201	Continental	Ring - 16 Outlet w/ 1/2" High Flow Barb	200.11 P
IP-1300	John Blue	Impellicone - 13 Outlet (barbs not included)	541.45 P
IP-1800	John Blue	Impellicone - 18 Outlet (barbs not included)	696.15 P



SPLITTER			
PART#	BRAND	DESCRIPTION	PRICE
A1803	Squib Taylor	3 Outlet - 1" Full Port	509.16 P
A1806	Squib Taylor	4 Outlet - 1" Full Port	509.16 P
A1807	Squib Taylor	5 Outlet - 1" Full Port	509.16 P
A-360-SP-6	Continental	6 Outlet	936.53 P
IPS-4	John Blue	4 Outlet	549.78 P
IPS-6	John Blue	6 Outlet	585.48 P



SEED EXPRESS 375DX

FEATURES:

- ❑ 180° Swing-most variable conveyor available
- ❑ AutoConveyor™
- ❑ 6"-8" Conveyor with 8" Cleated Belt
- ❑ Variable speed Remote Control
- ❑ Uni-body design
- ❑ Self-filling conveyor
- ❑ Telescoping arm
- ❑ Independent Support Structure
- ❑ Bolt-on Hitches
- ❑ Quick Connect Conveyors



SEED EXPRESS 240BWT

FEATURES:

- ❑ 180° Swing-most variable conveyor available
- ❑ Ultimate Reach Conveyor™
- ❑ 8" Conveyor with 12" Cleated Belt
- ❑ Conveyor transfer volume estimated at 1500#/min
- ❑ Variable speed-control your flow
- ❑ Two separate compartments
- ❑ Rolled tarp
- ❑ 9 HP Electric start Honda gas engine
- ❑ Rubber lined hood
- ❑ Scale with digital readout

The Swing



180 degree Swing gives you the most flexibility to fill your planter or drill from position left, right or rear.

The Speed



Low Speed/High Volume
We reached industry standard specs, set at 350 ft./min belt speed, with amazing flows of 900 lb/min.

The Gentleness



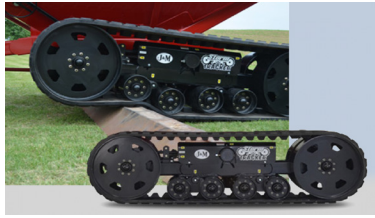
Cleated Belt Technology with gentle tapered cleats that conform to the tube gently carries the seed, with no roll back, rather than propelling it as traditional conveyors do.

CALL FOR SIZES & PRICING



GRAIN STORM CARTS

1000, 1050, 1150 & 1325 BUSHEL CART



Single Flotation,
Walking Tandem Duals
or Tracks



FEATURES:

- ** AVAILABLE IN RED, GREEN OR BLUE
- ** PTO OR HYDRAULIC DRIVEN 20" OR 22" DIAMETER AUGER
 - ** ADJUSTABLE AXLES
 - ** HEAVY-DUTY SWIVEL HITCH
- ** FRONT-FOLDING CORNER AUGER
 - ** GRAIN VIEWING WINDOW
- ** HAND WHEEL OPERATED CLEAN OUT DOOR
- ** FLASHER/TURN SIGNAL TAILLIGHTS & AUGER SPOTLIGHT
 - ** OPTIONAL SCALE AVAILABLE
 - ** OPTIONAL ROLL TARP

CALL FOR SIZES & PRICING

“Solving your in-field refueling needs”



Economy Mobile Fuel Trailer

- * Available in 500 & 990-gallon capacities
- * Tanks internally baffled
- * Trailer comes equipped with electric brakes, white spokes with radials, removable drop leg jack, safety chains, adjustable height hitch & all DOT lighting
- * Choose between a 12-volt or gas powered fuel pump
- * Optional 50-gallon DEF self-contained hitch mount system

Deluxe Mobile Fuel Trailer

- * Available in 500, 750 & 990-gallon capacities
- * Tanks internally baffled
- * Deluxe trail comes standard with space to accommodate for DEF upgrade at future date
- * Trailer comes equipped with one 54" cabinet with two bottom opening lockable doors, electric brakes, white mod with radials, removable drop leg jack, safety chains, adjustable height hitch & all DOT lighting
- * Lockable cabinet to house one 25' x 1" diesel fuel reel with Huskey auto nozzle and high flow fuel swivel. One 5.5 HP Honda engine w/2" transfer pump w/double filter head and filters, capable of producing 40 GPM, high flow FR901 40 GPM mechanical meter with resettable accumulatorFlow rate totalizator to 99.9 GPM
- * (1) 23" x 3" and (1) 23" x 5" deep drawer

CALL FOR PRICING

BELT CONVEYOR**BELT CONVEYOR STANDARD FEATURES:**

- * THE UNITS FEATURE A DURABLE POWDER COAT FINISH, THE MAIN HOUSING FEATURES A GALVANIZED FINISH FOR MAXIMUM DURABILITY.
- * CAPACITIES RANGE FROM 3,000 BPH TO 6,000 BPH DEPENDING ON ELEVATED ANGLE.
- * BELT CONVEYOR SYSTEM PROVIDES GENTLE HANDLING AND HIGHER CAPACITY THAN THE SAME SIZE SCREW CONVEYOR.
- * 10" DIAMETER GALVANIZED MAIN TUBE AVAILABLE IN 35', 60' AND 70' LENGTHS.
- * LOW MAINTENANCE/LONG WEAR. ENGINEERED FOR LONG LASTING PERFORMANCE WITH HEAVY-DUTY TWO PLY 15" CRESENT TOP PVC BELTING WITH NYLON SLIDER BACK.
- * BELT LIFE RATED AT 3,000 HOURS.
- * LOW HORSEPOWER-UNIQUE DESIGN. REQUIRES ONLY HALF THE HORSE-POWER OF COMPARABLE LENGTH SCREW CONVEYORS, GREATLY REDUCING ENERGY CONSUMPTION.

ROLL-AWAY HOPPER**WITH FLEX ANGLE**

THE ROLL-AWAY HOPPER FROM MAYRATH IS DESIGNED FOR CONVENIENCE AND VERSATILITY. FOR FAST AND CONVENIENT UNLOADING, THE FLEX ANGLE ALLOWS THE INCLINE TUBE TO BE ADJUSTED TO REACH THE APPROPRIATE DISCHARGE HEIGHT. THIS ENABLES THE ROLL-AWAY HOPPER TO BE USED IN VARIOUS APPLICATIONS SUCH AS FEEDING PORTABLE AUGERS, CLEANERS OR ANYTHING TO DO WITH A HIGH INTAKE OR OTHERWISE LIMITED ACCESS. LOW CLEARANCE CAPABILITIES ALLOW FOR EASY PICKUP FROM HORIZONTAL BIN UNLOADERS, GRAVITY WAGONS, HOPPER BOTTOM SEMI-TRUCKS OR OTHER APPLICATIONS. WHEELS FOR THE HOPPER CAN BE POSITIONED ALLOWING FOR SIDE TO SIDE OR FORWARD MOVEMENT. SPECIAL LENGTH INCLINED SECTIONS MAY ALSO BE ORDERED. ALSO AVAILABLE WITH THE 10-1/2" LOW PROFILE HOPPER OPTION.

AVAILABLE IN 8", 10" AND 12" MODELS.

8" = 3,200 BPH, 10" = 4,500 BPH, 12" = 7,000 BPH

MAYRATH TD, TD-PLUS, IN-LINE & SWING-AWAY AUGERS**IN-LINE DRIVE**

THE TD & TD-PLUS MAYRATH AUGER LINES OFFER A WIDE RANGE OF MODEL LENGTHS IN PAINTED OR GALVANIZED FINISHES. IN ADDITION THE TD-PLUS GALVANIZED LINE IS LOADED WITH OPTIONAL CHOICES. INTERNAL BEARINGS ON 6, 8 & 10" MODELS, HEAVY GAUGE FLIGHT ON 6, 8 & 10" MODELS, CORN SCREENS AVAILABLE FOR 8 & 10" MODELS. LENGTH FROM 31' TO 71'.

THE MAYRATH IN-LINE DRIVE SERIES COMBINES OPERATIONAL EFFICIENCY WITH LONG TERM DEPENDABILITY PROVIDING YOU WITH A HIGH QUALITY, GALVANIZED AUGER AT A VERY AFFORDABLE PRICE. THE REVOLUTIONARY IN-LINE DRIVE SYSTEM MINIMIZES THE NUMBER OF MOVING PARTS REDUCING DOWN TIME AND MAINTENANCE. THE IN-LINE DRIVER FEATURES AN INTERNALLY MOUNTED GEARBOX INSIDE OF AN EXPANDED, BELL SHAPED TUBE HOUSING. AVAILABLE IN DIAMETERS FROM 6" TO 12" AND LENGTHS FROM 32' TO 82'.

SWING-AWAY

THE MAYRATH SWING-AWAY PORTABLE AUGERS ARE AVAILABLE IN PAINTED OR GALVANIZED FINISHES. (PAINTED AVAILABLE IN 8" & 10" ONLY) THE SWING-AWAY FLEX HOPPER IS SECURED TO EITHER SIDE OF THE MAIN TUBE FOR TRANSPORT. ALL DRIVE COMPONENTS ENCLOSED IN OIL-BATH HOUSINGS. RELIEF DOOR IN SWING OUT HOPPER IS SECURED BY SPRING-LOADED CLIPS TO PROTECT THE MAIN AUGER FROM OVERLOADING. SPINDLE WHEEL HUBS WITH TAPERED BEARINGS PROVIDE SMOOTH, RELIABLE TRANSPORT. CHOICES OF DRIVES ARE INTERNAL GEAR OR HYDRAULIC. SIDE DRIVE ALSO AVAILABLE ON THE 8" & 10" MODELS. AVAILABLE IN 52', 62' & 72' LENGTHS AND 8", 10" & 12" DIAMETERS.

USEFUL FORMULAS AND INFO

ACRES

LENGTH X WIDTH :- 43560
 ONE ACRE = 43,560 SQ FT
 405 HECTARE
 ONE HECTARE = 2.471 ACRES
 ONE GPA = 9.35 LTR P HECTARE
 ONE MILE = 5,280 SQ FT
 1.61 KILOMETERS
 ONE US GALLON = 128 OUNCES
 8 PINTS
 4 QUARTS
 3.79 LITER
 .83 IMP GAL
 .1337 CU FT
 ONE CUBIC FOOT = 7.48 GAL
 ONE LITER = 0.2642 GAL
 ONE IMP GALLON = 1.2 US GALLON
 277.274 CUBIC INCHES

SPRAYING SOLUTIONS OTHER THAN WATER

TANK VOLUMES:

ROUND TANK CAPACITY
 DIAMETER IN INCHES SQUARED X LENGTH OR HEIGHT
 IN INCHES X .0034.
 RECTANGULAR TANK CAPACITY
 LENGTH X WIDTH X HEIGHT (INCHES) :- 231
 GALLONS PER FOOT OF ROUND TANK
 DIAMETER (FT) SQUARED X 5.875

OTHER FORMULAS

CIRCUMFERENCE OF A CIRCLE
 DIAMETER X 3.1416
 AREA OF A CIRCLE
 RADIUS SQUARED X 3.1416
 AREA OF RECTANGLE OR SQUARE
 LENGTH X WIDTH
 AREA OF TRIANGLE
 BASE X HEIGHT :- 2
 VOLUME OF CUBE OR RECTANGLE
 LENGTH X WIDTH X HEIGHT
 VOLUME OF A CYLINDER
 RADIUS SQUARED X 3.1416 X LENGTH
 VOLUME OF SPHERE
 RADIUS CUBED X 4.1888
 VOLUME OF CONE
 RADIUS SQUARED X 1.0472

$$\text{GPM (PER NOZZLE)} = \frac{\text{GPA X MPH X W}}{5940}$$

$$\text{GPA} = \frac{5940 \text{ X GPM (PER NOZZLE)}}{\text{MPH X W}}$$

$$\text{SPEED} = \frac{\text{DISTANCE (FT) X 60}}{\text{TIME (SECONDS) X 88}}$$

GPM = GALLON PER MINUTE
 GPA = GALLON PER ACRE
 MPH = MILES PER HOUR
 W = WIDTH (NOZZLE SPACE INCHES)

ANHYDROUS AMMONIA (NH₃)
 POUNDS PER GALLON OF NH₃ = 5.15
 POUNDS OF N PER GALLON = 4.22

WEIGHT OF SOLUTION LBS. PER GALLON	SPECIFIC GRAVITY	CONVERSION FACTOR
7	0.84	0.92
8	0.96	0.98
8.34 (WATER)	1.00	1.00
9	1.08	1.04
10	1.20	1.10
10.65 (28% NITROGEN)	1.28	1.13
11	1.32	1.15
12	1.44	1.20
14	1.68	1.30



Spray

Advantage

130 GATEWAY DR

GRAND FORKS, ND 58203

“COUNT ON US FOR SERVICE AFTER THE SALE”

SALES & PARTS 866-775-8089

Local: 701-775-8089

Fax: 701-775-8217

“EVERYTHING YOU NEED FOR FERTILIZER & CHEMICAL APPLICATION”

Web site: www.sprayadvantage.com E-mail: sales@sprayadvantage.com

