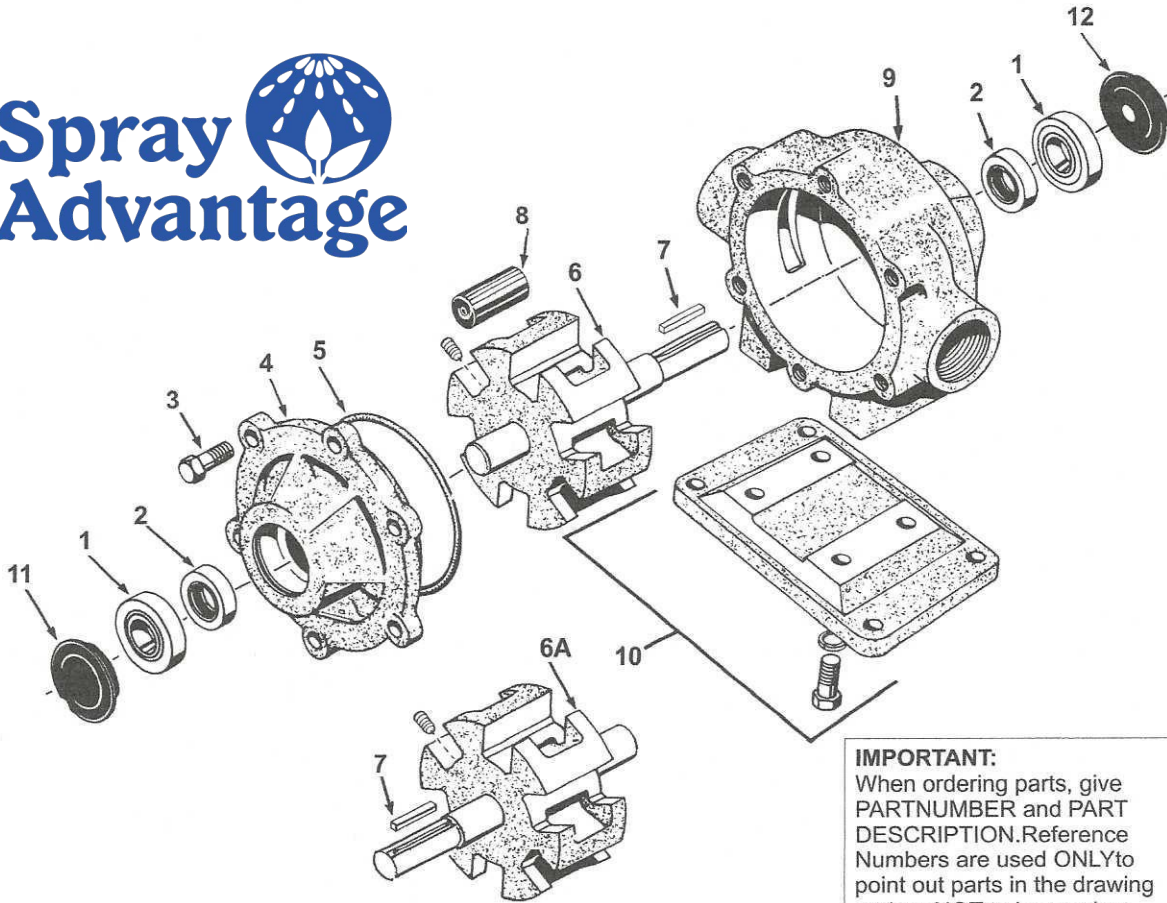


Replacement Parts

Series 1502



IMPORTANT:
When ordering parts, give PARTNUMBER and PART DESCRIPTION. Reference Numbers are used ONLY to point out parts in the drawing and are NOT to be used as ordering numbers.

Ref. No.	Qty. Req'd.	Part No.	Description
1	2	2008-0001	Sealed Ball Bearing
2	2	2112-0001	Buna-N Seal (Standard)
2	2	2122-0003	Viton Seal (Optional) (Std. for SilverCast)
3	6	2210-0026	Bolt
4	1	0200-1500C	Endplate (Cast Iron) with Seal
4	1	0200-1500N	Endplate (Ni-Resist) with Seal
4	1	0200-1500X	Endplate (SilverCast) with Seal
5	1	1720-0003	O-ring Gasket for Endplate
6	1	0300-1502C	Rotor (Cast Iron) with shaft (Std. Rotation)
6	1	0300-1502N	Rotor (Ni-Resist) with shaft (Std. Rotation)
6	1	0300-1502X	Rotor (SilverCast) with shaft (Std. Rotation)
6A	1	0301-1502C	Rotor (Cast Iron) w/shaft (Reverse Rot.)
6A	1	0301-1502N	Rotor (Ni-Resist) w/shaft (Reverse Rot.)
6A	1	0301-1502X	Rotor (SilverCast) w/shaft (Reverse Rot.)

Repair Parts Kit No. 3430-0383 (Universal) Consists of: (6) Ref. 8 Super Rollers, (1) Ref. 5 O-Ring Gasket, (1) O-ring Gasket (not shown), and (2) Ref. 2 Viton Seals.

Repair Parts Kit No. 3430-0386 Consists of: (6) Ref. 8 Super Rollers, (1) Ref. 5 O-Ring Gasket, and (2) Ref. 2 Viton Seals.

Repair Parts Kit No. 3430-0387 Consists of: (6) Ref. 8 Super Rollers, (1) Ref. 5 O-Ring Gasket, and (2) Ref. 2 Buna-N Seals.

Repair Parts Kit No. 3430-0162 Consists of: (6) Ref. 8 Polypropylene Rollers and (1) Ref. 5 O-Ring Gasket.

Ref. No.	Qty. Req'd.	Part No.	Description
7	1	1610-0005	Key
8	6	1005-0005	Super Roller (Standard)
8	6	1002-0005	Polypropylene Roller (Optional)
8	6	1055-0005	Teflon Roller (Optional)
9	1	0100-1500C	Body (Cast Iron) with Seal
9	1	0100-1500N	Body (Ni-Resist) with Seal
9	1	0100-1500X	Body (SilverCast) with Seal
10	1 kit	3420-0004	Base Kit - SOLD SEPARATELY Includes: (1) Base, (4) Bolts and (4) Lockwashers
11	1	2300-0020	Bearing Cover
12	1	2300-0022	Shaft Bearing Cover

Repair Parts Kit No. 3430-0164 Consists of: (6) Ref. 8 Polypropylene Rollers, (1) Ref. 5 O-Ring Gasket, and (2) Ref. 2 Viton Seals.

Repair Parts Kit No. 3430-0163 Consists of: (6) Ref. 8 Polypropylene Rollers, (1) Ref. 5 O-Ring Gasket, and (2) Ref. 2 Buna-N Seals.

Repair Parts Kit No. 3430-0406 Consists of: (6) Ref. 8 Super Rollers, (1) Ref. 5 O-Ring Gasket, (2) Ref. 2 Viton Seals and (2) Ref. 1 Sealed Ball Bearing.