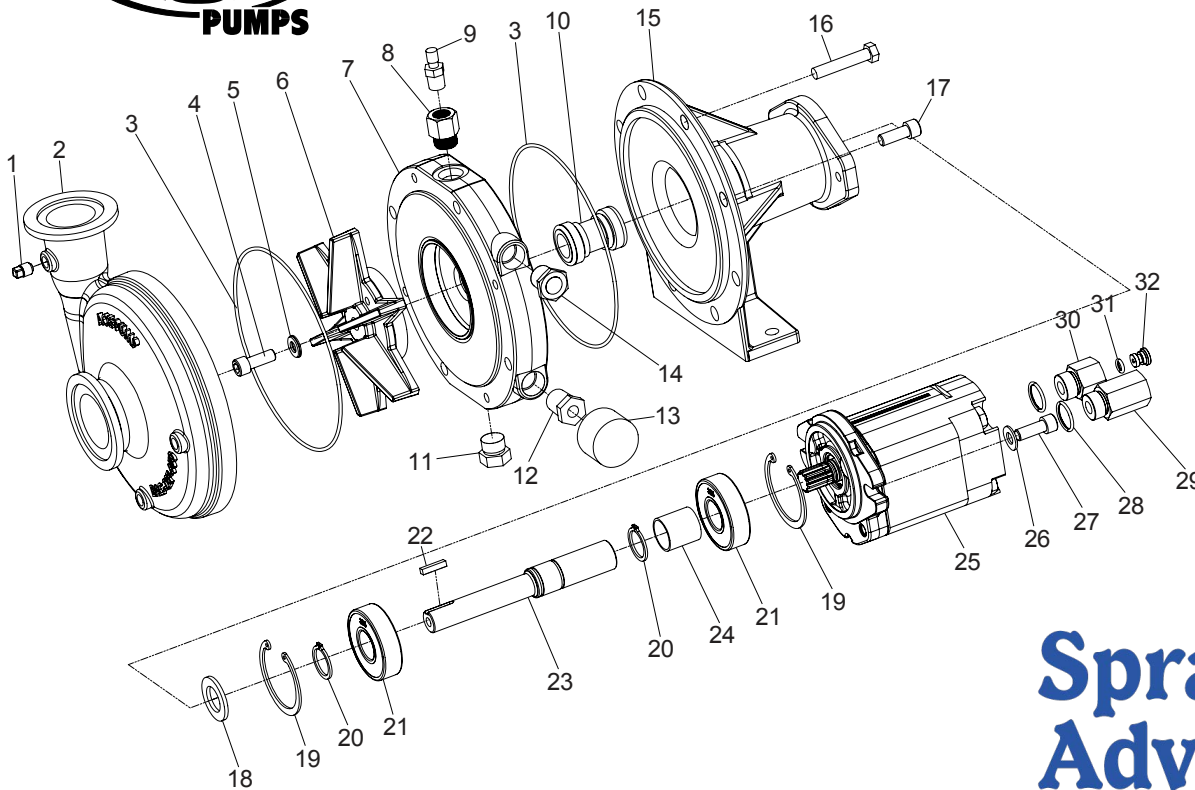




FMCWS-650F-HYD



REF. #	PART NUMBER	EDP #	DESCRIPTION	REQ.
1	BAC-53	41110	Pipe plug, 1/8" NPT, square head	3
2	BAC-12-650-FLG	30159	Volute, NPT & 220 Flange x NPT & 200 Flange	1
3#	BAC-4-150	40015	O-ring, volute seal	2
4	40930	40930	Cap screw, 3/8" NC x 3/4" hex head, stainless steel	1
5#	30029	30029	Washer, 3/8" O.D., sealing, stainless steel	1
6	BAC-26-650-WS	30192	Impeller, cast iron, wetseal, e-coated	1
7	BAC-16-650	45262	Seal plate, cast iron, e-coated	1
8	41107	41107	Plug, #8 SAE x 1/4" FNPT, hex, with o-ring	1
9	41316	41316	Air valve, 1/4" NPT	1
10#	BAC-7-650-WS	40143	Dual seal assembly, Type 21, .750 shaft	1
11	41108	41108	Plug, #8 SAE, hex head, with o-ring	1
12	44038	44038	Bushing, 1/2" MNPT x 1/8" FNPT	1
13	50150	50150	Pressure gauge, 0-60 PSI, 1/8" NPT	1
14	55850	55850	Site gauge, brass, 1/2" NPT	1
15	BAC-14-650-HYD	40325	Mounting frame, cast iron, e-coated	1
16	40970	40970	Cap screw, 3/8" NC x 2" hex head (volute)	4
17	41907	41907	Cap screw, 3/8" NC x 1", socket head (seal plate)	2
18	BAC-54-650	41132	Slinger, 1.5" OD x 7/8" ID	1
19	41943	41943	Snap ring, internal, mounting frame	2
20	ACAL-32	30174	Snap ring, external, shaft	2
21	40875	40875	Ball bearing, sealed	2
22	41085	41085	Key, .188 x .188 x .875	1
23	BAC-6-650-HYD-SS-WS	40049	Shaft, 11T female spline, stainless steel	1
24	BAC-32-650-WS	40802	Spacer, shaft	1
25	BAC-75-HYD-M16	41359	Hydraulic motor, pressure plated gear, 14.5 GPM	1
26	42701	42701	Washer, 3/8"	2
27	41907	41907	Cap screw, 3/8" NC x 1", socket head	2
28	41445	41445	O-ring, #10 SAE fitting	2
29	41442	41442	Reverse check, #10 SAE male x 1/2" FNPT	1
30	41446	41446	Body, adapter/restrictor, #10 SAE male x 1/2" FNPT	1
31	41448	41448	O-ring, restrictor insert	1
32	41447	41447	Restrictor orifice insert, .125	1
*33#	55032	55032	Barrier Fluid, quart (Emergency Substitution RV Antifreeze	0.45
	RK-FMCWS-650	52722	Repair kit, includes items 3 (2 each), 5, 10, and 33 (1 quart)	--

* - not shown in parts diagram