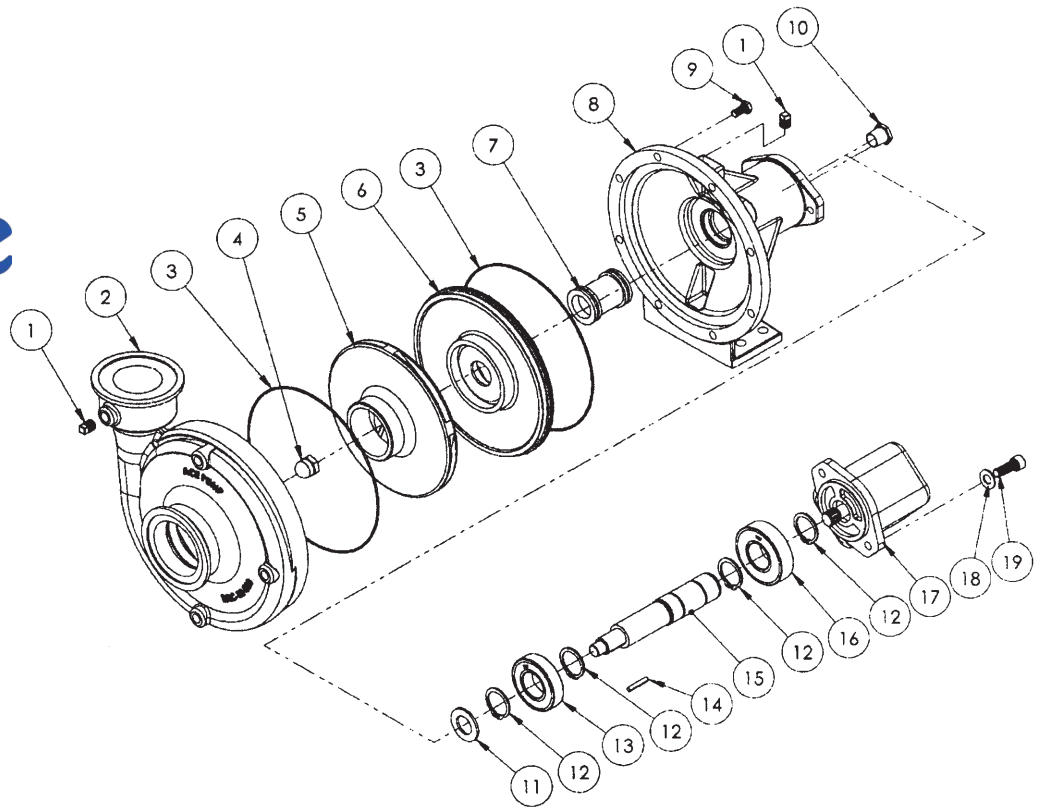




# FMC-850F-HYD

**Spray Advantage**



Ref. #	Part No.	EDP #	Description	Qty.
1	20750	20750	Pipe Plug, 1/4" NPT	6
2	BAC-12-850	30164	Volute, 300 x 300 Flanged, Cast Iron, e-coated	1
3*	40018	40018	P-Ring, Volute Seal	2
4	40397	40397	Nut, Acorn, 5/8" Stainless Steel	1
5	BAC-26-850-CI	30184	Impeller, Cast Iron, e-coated	1
6	BAC-16-850	45265	Seal Plate, Cast Iron, e-coated	1
7*	BAC-7-850V	40148	Seal Assembly, 1-1/4" Type 21 Double, Carbon/Ceramic/Viton	1
8	BAC-14-850-HYD	40318	Mounting Frame, Cast Iron	1
9	40950	40950	Cap Screw, 3/8" NCX x 3/4" Hex Head	8
10	55850	55850	Sight Gauge, 1/2" NPT, Brass With Reflector	1
11	GE-54	42220	Slinger	1
12	41945	41945	Snap Ring, External, For BAC-6-850-HYD-SS	4
13	40876	40876	Bearing, Front, For BAC-6-850-HYD-SS Shaft	1
14	BAC-50	41080	Key, 3/16" x 3/16" x 1-1/4", Impeller	1
15	BAC-6-850-HYD-SS	40065	Shaft, Female 11T Spline, Stainless Steel	1
16	40877	40877	Bearing, Rear, For BAC-6-850-HYD-SS Shaft	1
17	BAC-75-HYD-M30	41357	Hydraulic Motor, Pressure Plated Gear Type	1
18	42701	42701	Washer, 3/8"	2
19	41907	41907	Cap Screw, 3/8" NC x 1"	2
20*	55032	55032	Barrier Fluid, Quart	24 Oz.
*	RK-FMC-850	52725	Repair Kit	--