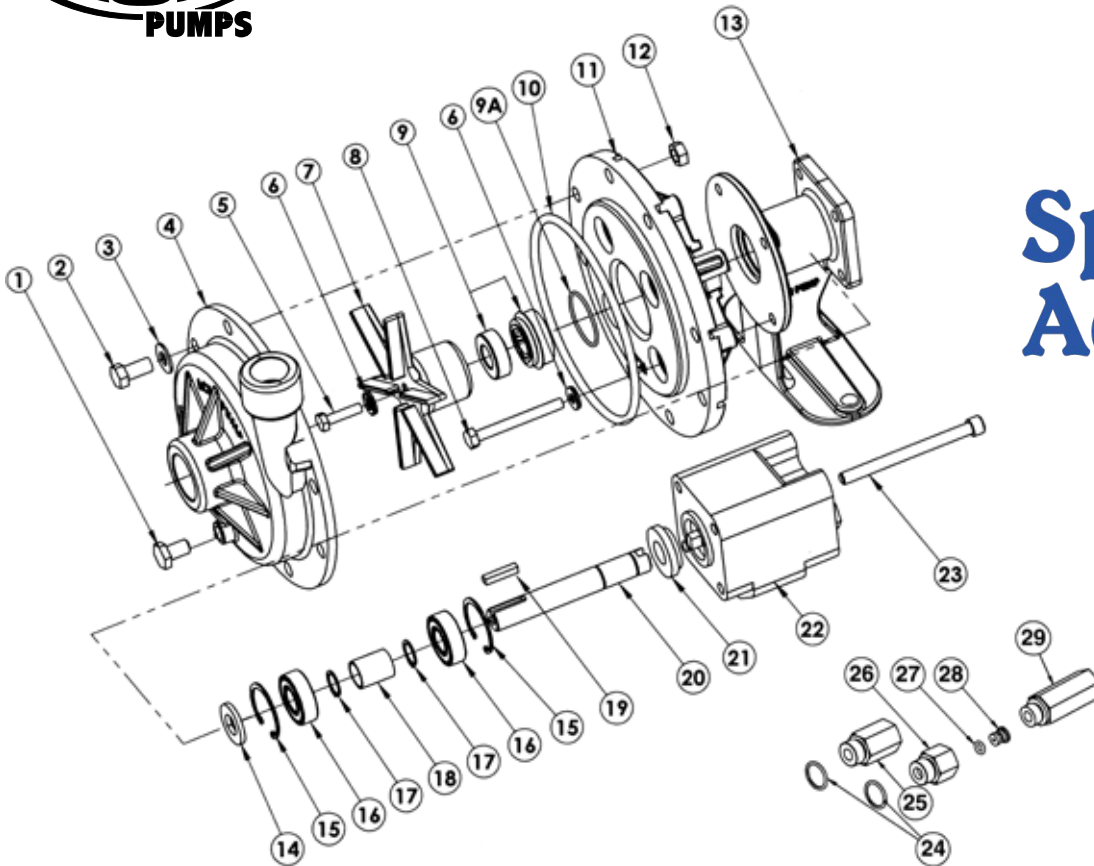




FMC-75-HYD



Spray Advantage 

REF. #	PART NO.	EDP #	DESCRIPTION	REQ.
1	BAC-53-P	41109	Pipe plug, 1/8" NPT, plastic	1
2	80250	80250	Cap screw, 3/8"-16 x 7/8", hex head	8
3	42701	42701	Washer, 3/8" flat	8
4	GE-12-75	42700	Volute, 3/4" x 1", polypropylene	1
5	42240	42240	Cap screw, 1/4"-28 x 1", hex, stainless steel	1
6*	30028	30028	Washer, sealing	5
7	GE-26-75	42710	Impeller, with keyway, polypropylene	1
8	42238	42238	Cap screw, 5/16"NF x 2-1/4"	4
9*	BAC-7-75V	42730	Seal, 5/8", Viton®/carbon/ceramic	1
9+	BAC-7SC-75V	42731	Seal, 5/8", Viton®/silicon carbide (optional)	1
9A**	40159	40159	O-Ring, seal seat	1
10**	40017	40017	O-Ring, volute seal	1
11	GE-14-75	42720	Bracket, polypropylene	1
12	BAC-45	41010	Nut, hex, 3/8"	8
13	BAC-14-75-HYD	40293	Mounting frame (for BAC-75-HYD-204R, 206R hydraulic motor)	1
14	BAC-54	41130	Slinger	1
15	BAC-33	40810	Snap ring, internal, BAC-14 mounting frame	2
16	BAC-37	40870	Bearing, BAC-6 driven shaft	2
17	BAC-32	40790	Snap ring, external, BAC-6 driven shaft	2
18	BAC-32-S	40795	Spacer for BAC-6 shaft	1
19	41082	41082	Key, 3/16" x 3/16" x 15/16"	1
20	BAC-6-75-HYD-SS	40048	Shaft, 5/8" Driven shaft with tang slot, stainless steel	1
21	200	40161	Seal support spacer for 200 series hydraulic lip seal	1
22	BAC-75-HYD-204R	41437	Hydraulic motor, 4 GPM	1
22	BAC-75-HYD-206R	41397	Hydraulic motor, 7 GPM	1
23	41253	41253	Cap screw, 5/16" NC x 3 1/2" socket head (for 204 motor)	4
23	41255	41255	Cap screw, 5/16" NC x 3 3/4" socket head (for 206 motor)	4
24	41875	41875	O-Ring, #8 SAE fitting	2
25	BAC-78-8SAE	41441	Reverse check assembly, #8 SAE male x 1/2" NPT female	1
26	BAC-80-8SAE	41455	Body, restrictor orifice, #8 SAE male x 1/2" female	1
27	41448	41448	O-Ring, orifice insert	1
28	BAC-79-5	41457	Orifice, restrictor insert, .078 (204)	1
28	BAC-79-7	41456	Orifice, restrictor insert, .109 (206)	1
29	LS-204N	41417	Flow limiting valve (204), #8 SAE male x 1/2" NPT female	1
29	LS-206N	41418	Flow limiting valve (206), #8 SAE male x 1/2" NPT female	1
*	RK-GE-75	60840	Repair kit for FMC-75-HYD series	-
+	RK-GESC-75	60841	Repair kit for FMC-75-HYD series with silicon carbide shaft seal	-