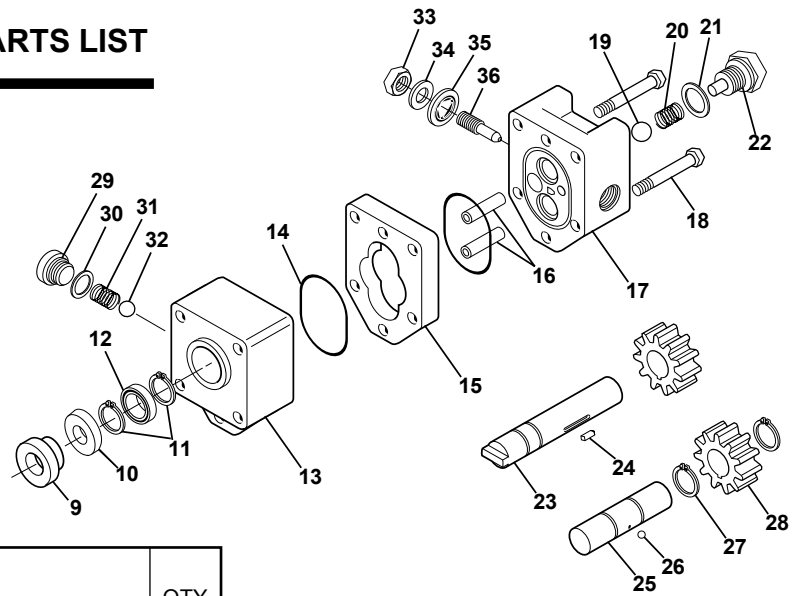




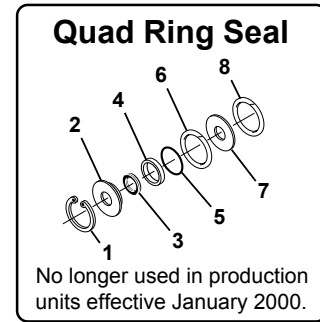
HYDRAULIC MOTOR PARTS LIST

BAC-75-HYD-202
BAC-75-HYD-203
BAC-75-HYD-204
BAC-75-HYD-206
BAC-75-HYD-210



REF. #	MODEL 202	MODEL 203	MODEL 204	MODEL 206	MODEL 210	DESCRIPTION	QTY
1	41890	41890	41890	41890	41890	Retaining ring, shaft seal	1
2	41770	41770	41770	41770	41770	Seal retainer, steel	1
3	41880	41880	41880	41880	41880	Quad ring shaft seal	1
4	41840	41840	41840	41840	41840	Collar, quad ring shaft seal	1
5	41870	41870	41870	41870	41870	O-Ring, seal collar	1
6	41860	41860	41860	41860	41860	O-Ring, seal retainer	1
7	41810	41810	41810	41810	41810	Backup washer, steel	1
8	41830	41830	41830	41830	41830	Bearing spacer, wire ring	1
9#	40161	40161	40161	40161	40161	Seal support spacer ("L" models)	1
10#	40153	40153	40153	40153	40153	Seal cartridge ("L" models)	1
11	41941	41941	41941	41941	41941	Snap ring, bearing	2
12	41961	41961	41961	41961	41961	Ball bearing, 7/16" I.D.	1
13	41731	41731	41731	41731	41731	Drive plate	1
14#	41850	41850	41850	41850	41850	O-Ring, housing seal	2
15	41718					Gear housing	1
15		41719				Gear housing	1
15			41720			Gear housing	1
15				41721		Gear housing	1
15					41725	Gear housing	1
16	41799	41799	41800	41801	41805	Dowel pin, housing	2
17	41740	41740	41740	41740	41740	End plate	1
18	41899	41899	41900	41900	41905	Cap screw, 1/4" N.C. hex head	2
19	41950	41950	41950	41950	41950	Ball, reverse flow check	1
20	41780	41780	41780	41780	41780	Spring, reverse flow check	1
21	41820	41820	41820	41820	41820	Washer, nylon, reverse flow check	1
22	41790	41790	41790	41790	41790	Valve cap, reverse flow check	1
23	41758					Drive shaft	1
23		41759				Drive shaft	1
23			41761			Drive shaft 3.010"	1
23				41764		Drive shaft 3.190"	1
23					41766	Drive shaft 3.612"	1
24	41921	41925	41920	41921	41925	Dowel pin, drive shaft	1
25	41968					Idler shaft	1
25		41969				Idler shaft	1
25			41970			Idler shaft	1
25				41971		Idler shaft	1
25					41975	Idler shaft	1
26	41990	41990	41990	41990	41990	Ball, idler shaft	1
27	41980	41980	41980	41980	41980	Retaining ring, idler gear	2
28	41748					Gear	2
28		41749				Gear	2
28			41750			Gear 0.4" Thick	2
28				41751		Gear	2
28					41755	Gear 1.0" Thick	2
29	42041	42041	42041	42041	42041	Valve cap, coasting check	1
30#	42044	42044	42044	42044	42044	O-Ring, coasting check	1
31	42042	42042	42042	42042	42042	Spring, coasting check	1
32	42043	42043	42043	42043	42043	Ball, coasting check	1
33	40960	40960	40960	40960	40960	Nut, 3/8" N.C. jam, needle valve	1
34	42040	42040	42040	42040	42040	Washer, flat steel, needle valve	1
35#	42030	42030	42030	42030	42030	Thread seal, 3/8", needle valve	1
36	42010	42010	42010	42010	42010	Adjusting screw, needle valve	1
#	41374	41374	41374	41374	41374	Repair Kit, RK-BAC-75-HYD-L	--

Note: Repair kit, RK-BAC-75-HYD-L (41374), will retrofit into older motors with quad ring shaft seal.



Spray Advantage