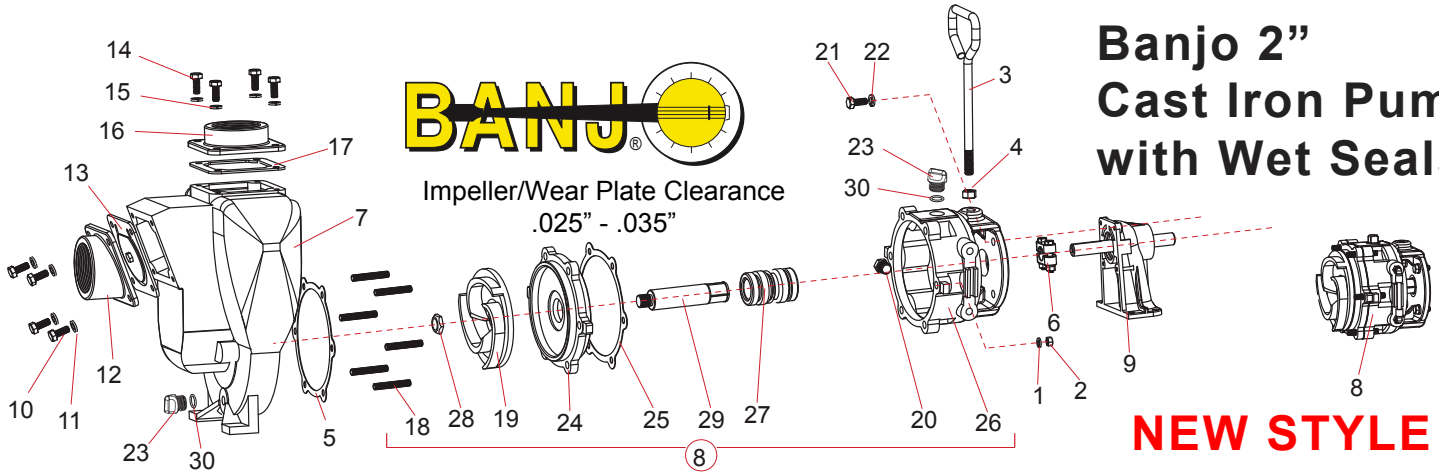




Impeller/Wear Plate Clearance
.025" - .035"

Banjo 2" Cast Iron Pump with Wet Seals



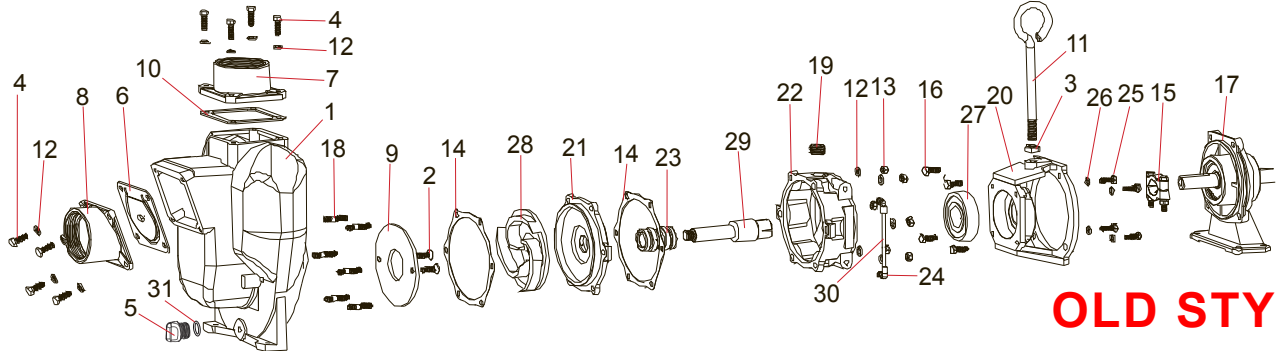
NEW STYLE

REPLACEMENT PARTS 2" CAST IRON WET SEAL PUMPS (NEWSTYLE)

ITEM	PART NO	DESCRIPTION	QTY
1	V10118	5/16" Lock Washer	6
2	V10119	5/16-18 Hex Nut	6
3	15022	Handle	1
4	17010	1/2" Hex Nut	1
5	17018	Gasket Adapter	1
6	17123	5/8" Clamp, 3/4" Shaft Assembly Keyed	1
7	17226	Pump Housing	1
8	17200A	Wet Seal Assembly	1
9	12882A	Bearing Pedestal	1
10	17019	5/16-18 x 3/4" HHCS	4
11	V10118	5/16" Lock Washer	4
12	17002	2" Inlet Flange, Threaded	1
	M17002	2" Inlet Flange, Manifold	1
13	17016	EPDM Check Valve Gasket Assembly	1
14	17019	5/16-18 x 3/4" HHCS	4
15	V10118	5/16" Lock Washer	4

REPLACEMENT PARTS 2" CAST IRON WET SEAL PUMPS (NEWSTYLE)

ITEM	PART NO	DESCRIPTION	QTY
16	17000	2" Outlet Flange, Threaded	1
	M17000	2" Outlet Flange, Manifold	1
17	17013	EPDM Outlet Gasket	1
18	17242	Housing Stud	6
19	17208	Impeller	1
20	17032	Pipe Plug	1
21	17019	5/16-18 x 3/4" Cap Screw	4
22	V10118	5/16" Lock Washer	4
23	12777	Fill Plug	2
24	17202	Cover Plate	1
25	17018	Gasket Adapter	1
26	17201A	Reservoir	1
27	17235	FKM (viton type) Mechanical Seal Assembly	1
28	17009B	5/8" Impeller Nut	1
29	17206A	Adapter Shaft	1
30	UV15163	O-Ring	2



OLD STYLE

REPLACEMENT PARTS 2" CAST IRON WET SEAL PUMPS(OLD STYLE)

ITEM	PART NO	DESCRIPTION	QTY
1	17026	Pump Housing	1
2	17130	Flat Head C Sink Screw	2
3	17010	1/2" Hex Nut	1
4	17019	5/16" Cap Screw	8
5	12777	Drain Plug	1
6	17016	EPDM Gasket	1
7	17000	2" Outlet Flange	1
8	17002	2" Inlet Flange	1
9	17011	Wear Plate	1
10	17013	EPDM Outlet Gasket	1
11	15022	Handle	1

REPLACEMENT PARTS 2" CAST IRON WET SEAL PUMPS(OLD STYLE)

ITEM	PART NO	DESCRIPTION	QTY
12	V10118	5/16" Lock Washer	18
13	V10119	5/16-18 SS Hex Nut	8
14	17018	Gasket Adapter	2
15	17023	5/8" Clamp for 3/4" Shaft Assembly	1
15	17123	5/8" Clamp for 3/4" Shaft Assembly Keyed	1
15	17024	7/8" Clamp Shaft Assembly	1
16	17040	5/16" -24 x 1" HHCS	4
17	12882A	Bearing Pedestal	1
18	17242	Housing Stud	6
19	17210	1/2" Fill Plug	1
20	17203A	Wet Seal Adapter	1
21	17202	Cover Plate	1
22	17201	Reservoir	1
23	17235	FKM (viton type) Seal Assembly	1
24	17211	3/16" Legris Male Elbow	2
25	17019	5/16" - 18 x 3/4" Bolt	4
26	V10118	5/16" Lock Washer	4
27	12213A	Bearing	1
28	17208	Impeller	1
29	17206	3/4" Sleeve Drive	1
30	17212	Liquid Level Tube	1
31	UV15163	O-Ring	1
N/S	17100W	Pump Repair Kit (Consist of 2, 10, 15, 25, 29-32)	1

