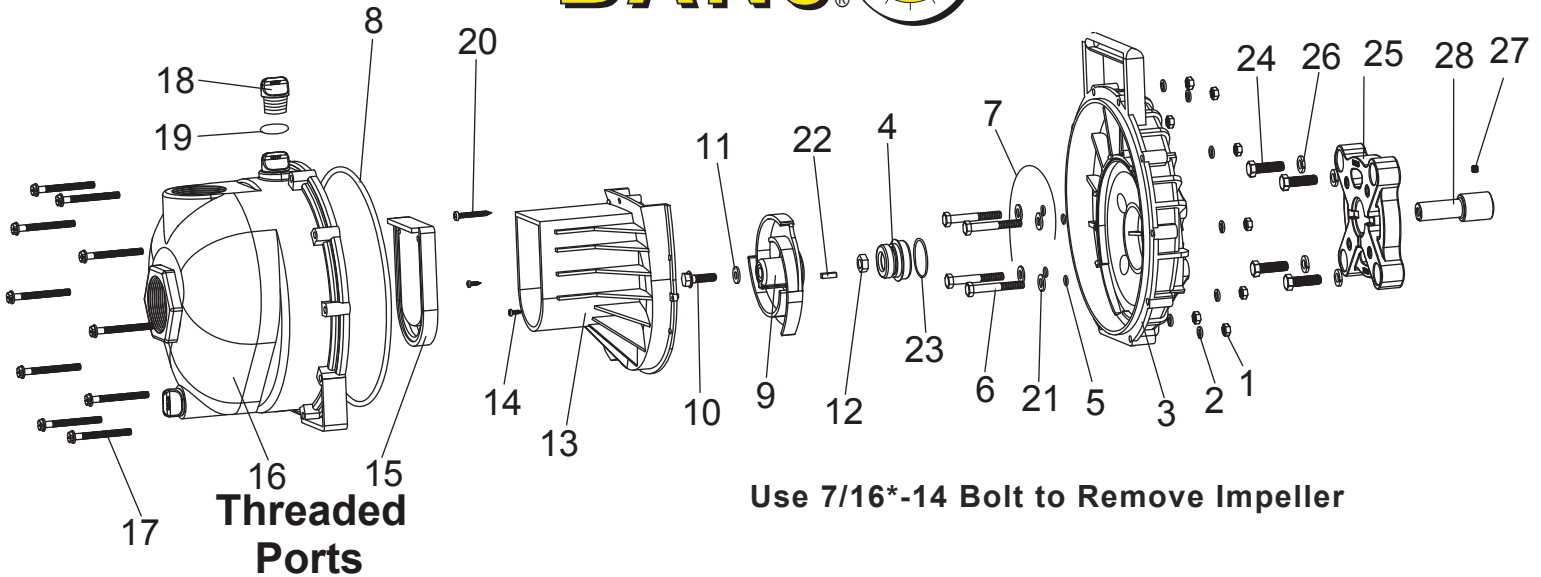


Banjo 2" Electric Pump



2" POLY PUMPS W/ELECTRIC MOTORS			
ITEM	PART NO	DESCRIPTION	QTY
1	V07019	Nuts, 1/4" SS	10
2	V07018	Lock Washers, SS	10
3	12703A	Rear Bracket	1
4	12713V	Seal Assembly	1
5	12717V	O-Ring	4
6	BF107	SS Bracket Screws	4
7	12754V	O-Ring Segment	1
8	12719AV	O-Ring, Body	1
9	12772	Impeller, 5 Vane	1
10	12765A	Bolt, Impeller SS	1
11	12774VA	Gasket	1
12	12775A	Nut, Impeller SS	1
13	12702A	Volute	1
14	12725	Screw, Volute SS	2
15	12705V	Check Valve	1
16	12712AV	Body Assembly, Threaded	1
	M12712	Body Assembly, Manifold	1
17	12720	Screw, Body SS	10
18	12777	Prime/Drain Plug	2
19	UV15163V	O-Ring, Prime/Drain Plug	2
20	12900	Screw, Upper Volute SS	1
21	12901	Washer, Rear Bracket SS SS	4
22	12902A	Impeller Key	1
23	12710V	O-Ring for Seal Assembly	1
24	17704	3/8"-16 x 1.25" HHCS	8
25	12046	56C Frame Adapter	1
26	V20018	Lock Washer for 56C Frame Adapter	8
27	12053	1/4-20 x 1/4" Set Screw	1
28	12052	Adapter Shaft, 56C Frame	1
N/S	17701	Base Plate	1
N/S	12099	7/16-14 x 1.25" HHCS	1

