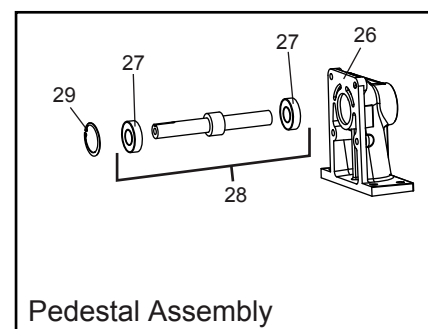
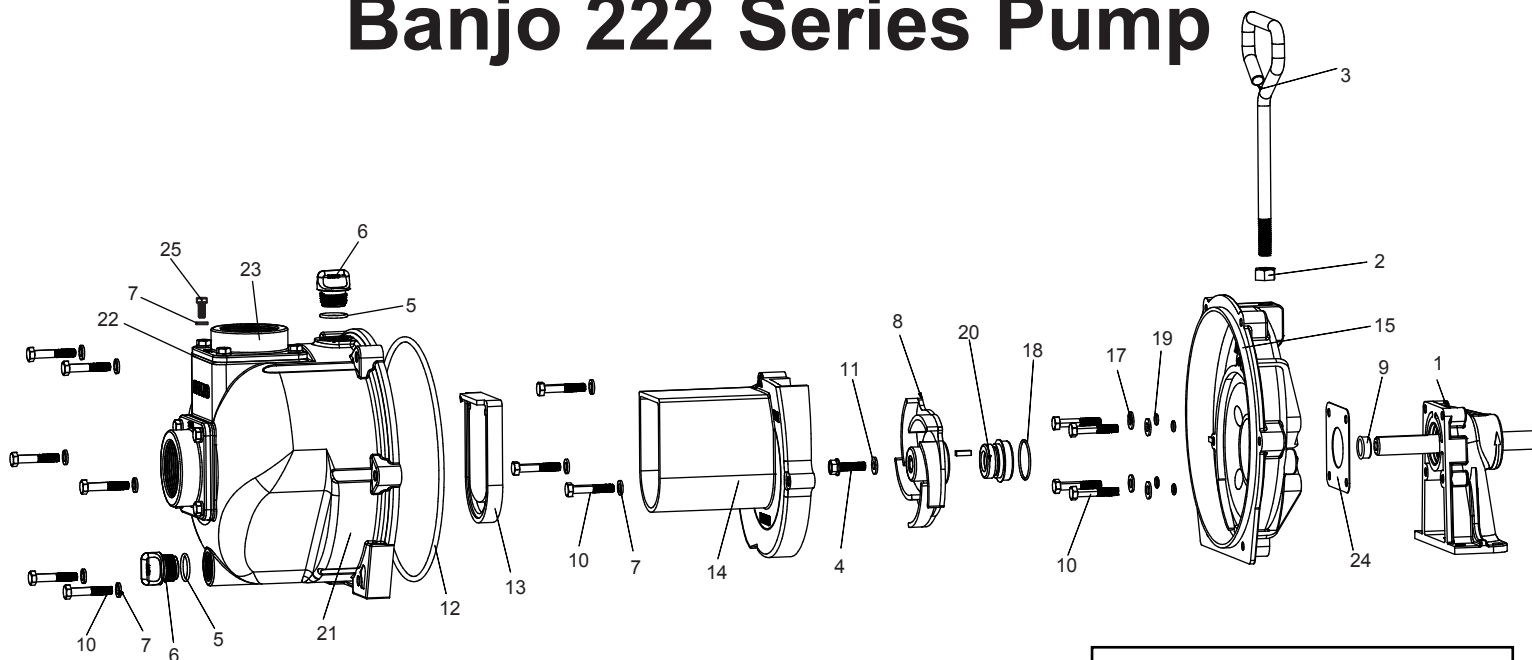


Banjo 222 Series Pump



REPLACEMENT PARTS 222 SERIES CAST IRON PUMPS

ITEM	PART NO	DESCRIPTION	QTY	ITEM	PART NO	DESCRIPTION	QTY
1	12882A	Bearing Pedestal Assembly	1	21	15712	Body	1
2	17010	1/2" Jam Nut	1	22	17013	Flange Outlet Gasket	2
3	15022	Handle	1	23	17000	Threaded Flange	2
4	12765A	5/16-24 x 1.12 Impeller Bolt	1	24	15752	Impeller Shim	1
5	13778	O-Ring	2	25	V10118	Lock Washer, 5/16"	8
6	13777	Prime/Drain Plug	2	26	12882B	Pedestal	1
7	V10118	5/16" Lock Washer	11	27	12883B	Bearing	2
8	15772	5 Vane Impeller	1	28	12883	Shaft with Bearings	1
9	12716	Pump Slinger	1	29	12884	Retaining Ring	2
10	12715A	5/16-24 x 1.75 HHCS	13	N/S	12099	7/16-14 x 1.25" HHCS (for Impeller Removal)	1
11	12774VA	Impeller Bolt Gasket	1	N/S	15751	Bracket Shim	1
12	12719A	Body O-Ring	1	N/S	15752	Impeller Shim	1
13	12705	Check Valve	1	N/S	17033	Z-Rails	1pr
14	15702	Volute	1	N/S	15000	Repair Kit EPDM (Items 5, 8, 11-13, 18-20, 12099, 15751 & 15752)	1
15	15703	Rear Bracket	1	N/S	15000V	Repair Kit FKM Viton (Items 5, 8, 11-13, 18-20, 12099, 15751 & 15752)	1
16	12902A	3/16" sq x 5/8" Impeller Key	1	N/S	15999	Seal Kit EPDM (Items 5, 11-13, 18-20, 12099, 15751 & 15752)	1
17	12901	5/16" Flat Washer	4	N/S	15999V	Seal Kit FKM Viton (Items 5, 11-13, 18-20, 12099, 15751 & 15752)	1
18	12710	O-Ring	1				
19	12717	O-Ring	4				
20	12713V	Seal Assembly	1				
	12713SD	Severe Duty Seal	1				

Pump Repair Kits Contain Items Marked With Asterisk

NOTE: EPDM Gaskets, Seals and O-rings used in the following assemblies unless otherwise noted: 222PBI, 222PIHY, 222PI5, 222PIH5, 222POI. Pumps equipped with FKM (viton type) also available.