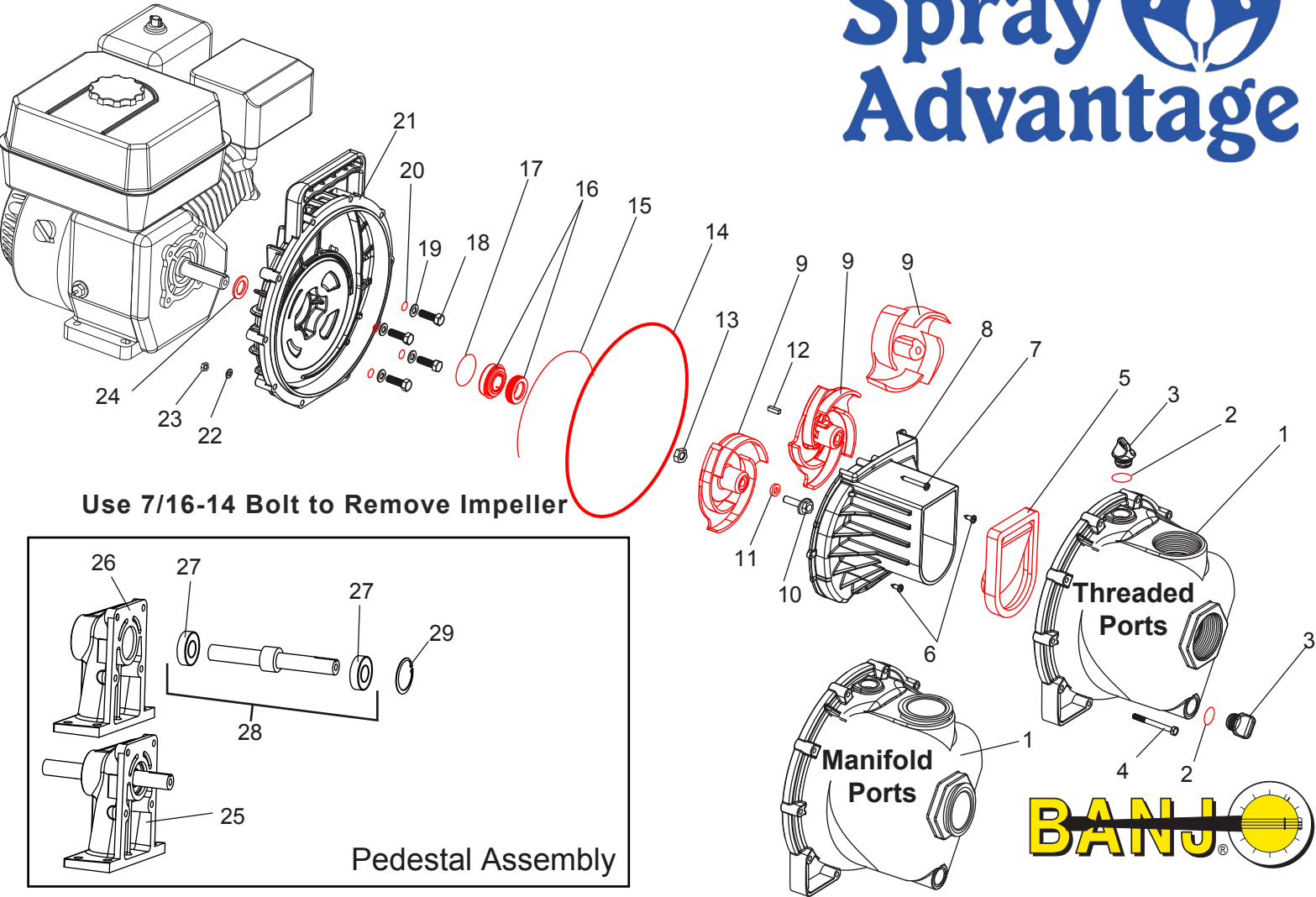


Banjo 1-1/2" and 2" Poly Gas and Pedestal Pumps



Use 7/16-14 Bolt to Remove Impeller

Pedestal Assembly

REPLACEMENT PARTS FOR PUMPS MANUFACTURED BEGINNING SEPT. 1996

Ref.	Description	Qty.	1-1/2"	2"	Ref.	Description	Qty.	1-1/2"	2"
1	Body Assembly, Threaded	1	12711A	12712A	17	O-Ring, Seal Assembly EPDM	1	12710	12710
	Body Assembly, Manifold	1		M12712		18	O-Ring, Seal Assy. FKM Viton	1	12710V
2	O-Ring, Prime/Drain Plug EPDM	2	UV15163	UV15163	19		Bracket Screws, SS	4	12715A
	O-Ring, Prime/Drain Plug FKM Viton	1	UV15163V	UV15163V		20	Washer, Rear Bracket, SS	1	12901
3	Prime/Drain Plug	2	12777	12777	21		O-Ring, EPDM	4	12717
4	Bolt, SS	10	12720	12720		22	O-Ring, FKM (Viton type)	2	12717V
	Check Valve, EPDM	1	12705	12705	23		Poly Pump Rear Bracket	1	12703A
5	Check Valve, FKM (Viton)	1	12705V	12705V		24	Lock Washers, SS	10	V07018
	Screw, Lower Volute, SS	2	12725	12725	25		Body Nuts, SS	10	V07019
6	Screw, Upper Volute, SS	1	12900	12900		26	Slinger	1	12716
	Volute (for 3 & 5 Vane Impeller)	1	12702A	12702A	27		Pedestal Bearing Shaft Assembly	1	12882A
9	Volute (for 4 Vane Impeller)	1	13702	13702		28	Pedestal	1	12882R
	3 Vane Impeller (use with 12702A Vol)	1	12771A	12771A	29		Bearing	2	12883B
	4 Vane Impeller (use with 12702 Vol)	1	13771	13771		N/S	Shaft with Bearings	1	12883
5 Vane Impeller (use with 12702A Vol)	1	12772	12772	N/S	Retaining Ring		2	12884	12884
10	Impeller Bolt, SS	1	12765A		12765A	N/S	7/16-14 x 1-1/4 HHCS for Imp Removal	1	12099
	Gasket, Impeller Bolt	1	12774VA	12774VA	N/S		3 Vane Impeller Repair Kit (Items 2, 5, 9, 11, 14, 15, 16, 17, 20, 24)	1	12003A
11	Impeller Key	1	12902A	12902A		N/S	5 Vane Impeller Repair Kit (Items 2, 5, 9, 11, 14, 15, 16, 17, 20, 24)	1	
	Nut, Impeller	1	12775A	12775A	N/S		Pump Seal/O-Ring Kit (Items 2, 5, 11, 14, 15, 16, 17, 20, 24)	1	12999A
14	O-Ring, Body EPDM	1	12719A	12719A		N/S	FKM(viton type) Pump Seal/O-Ring Kit (Items 2, 5, 11, 14, 15, 16, 17, 20, 24)	1	12999AV
	O-Ring, Body FKM (Viton type)	1	2719AV	2719AV					
15	O-Ring, Segment EPDM	1	12754	12754					
	O-Ring, Segment FKM VITON	1	12754V	12754V					
16	Seal Assembly, EPDM	1	12713	12713					
	Seal Assembly, VITON	1	12713V	12713V					