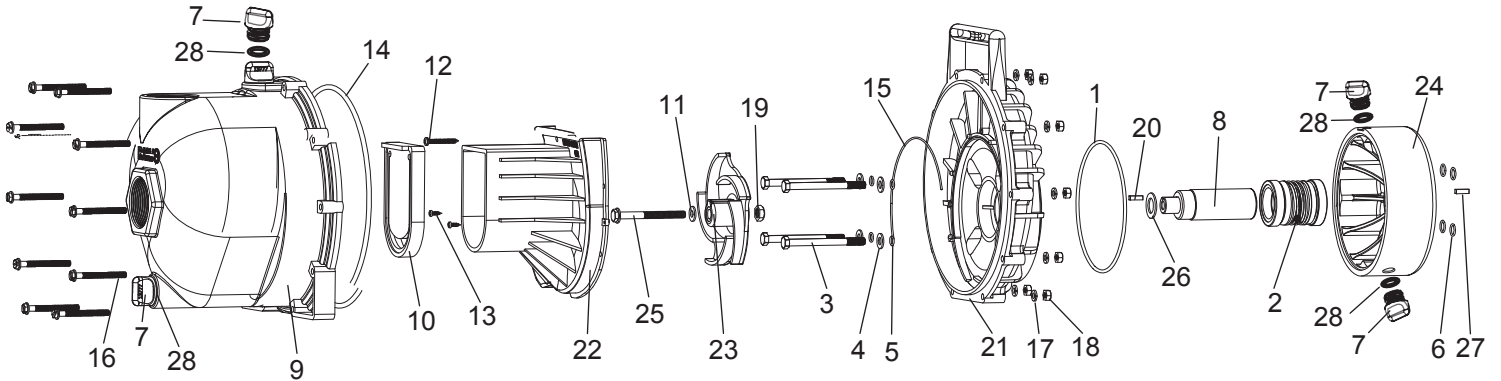




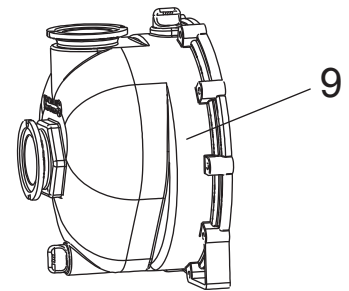
Banjo 2" WET SEAL PUMPS



**Threaded
Ports**

Use 7/16-14 Bolt to Remove Impeller

| REPLACEMENT PARTS 2" POLY WET SEAL PUMPS | | | |
|--|---------|-----------------------------|-----|
| ITEM | PART # | DESCRIPTION | QTY |
| 1 | 13719 | O-Ring | 1 |
| 2 | 15035E | Mechanical Seal EPDM Std | 1 |
| | 15035 | Mechanical Seal VITON Opt. | 1 |
| 3 | 12034 | 5/16-24 x 3-3/4" HHCS | 4 |
| 4 | 12901 | 5/16" Flat Washer | 4 |
| 5 | 12717 | O-Ring for Bracket Screw | 4 |
| 6 | 12709 | O-Ring | 4 |
| 7 | 12777 | Drain Plug | 4 |
| 8 | 12155 | Adapter Shaft | 1 |
| 9 | 12712A | Body Assembly, Threaded | 1 |
| | M12712 | Body Assembly, Manifold | 1 |
| 10 | 12705 | Check Valve | 1 |
| 11 | 12774VA | Impeller Bolt Gasket | 1 |
| 12 | 12900 | #10 x 1-1/2" PPH SMS | 1 |
| 13 | 12725 | #6 x 1/2" PPH SMS | 2 |
| 14 | 12719A | Body O-Ring | 1 |
| 15 | 12754 | O-Ring Segment | 1 |
| 16 | 12720 | 1/4-20 x 2-1/2" SI Ind HWHS | 10 |
| 17 | V07018 | 1/4" Lock Washer | 10 |
| 18 | V07019 | 1/4-20 Hex Nut | 10 |
| 19 | 12775A | 7/16" - 14 Hex Nut | 1 |
| 20 | 12902A | 3/16" SQ. x 5/8" Key | 2 |
| 21 | 12707W | Wet Seal Rear Bracket | 1 |
| 22 | 12702A | Volute | 1 |
| 23 | 12772 | Impeller | 1 |
| 24 | 12202W | Wet Seal Reservoir | 1 |
| 25 | 12766 | 5/16-24 x 3 1/4" HFS | 1 |
| 26 | CV10175 | Gasket | 1 |
| 27 | 16901 | 1/4" SQ. 3/4" Key Stock | 1 |
| 28 | UV15163 | O-Ring, Drain Plug | 4 |



**Manifold
Ports**

Spray Advantage