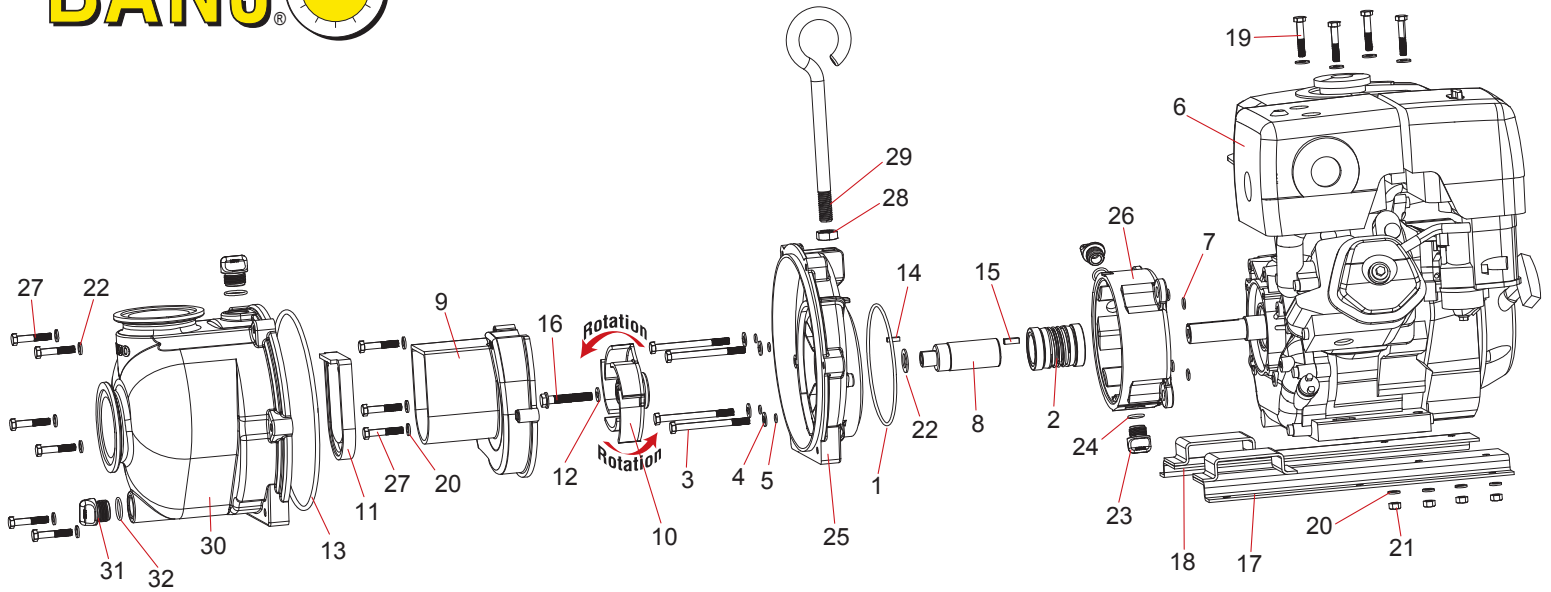


# Banjo M332 3" Cast WET SEAL Pump



ITEM	PART NO	DESCRIPTION	QTY
1	13719	O-Ring	1
2	15035E	Mechanical Seal Assembly, EPDM Std	1
	15035	Mechanical Seal Assembly, VITON Opt	1
3	12034	5/16- 24 x 3-3/4" HHCS	4
4	12901	5/16" Flat Washer	8
5	12717	O-Ring for Bracket Screw	4
6	E13H	11 HP Honda® Engine	1
7	12709	O-Ring	4
8	13055	Adapter Shaft	1
9	19702	Volute	1
10	19772	Impeller, 5 Vane	1
11	12705	Check Valve	1
12	12774VA	Impeller Bolt Gasket	1
13	12719A	O-Ring	1
14	12902A	Impeller Key	1
15	16901	1/4" sq x 3/4" Key Stock	1
16	13766	3/8" - 24 x 2-1/4" HFS	1
17	18135B	Z-Rail	1
18	18135A	Z-Rail	1
19	17029	5/16-18 x 1-3/4" HHCS	4
20	V10118	5/16" Lock Washer	13
21	V10119	5/16" Hex Nut	4
22	CV10175	Gasket	2
23	12777	Prime/Drain Plug	2
24	UV15163	O-Ring	2
25	19703W	Rear Bracket	1
26	19201W	Wet Seal Reservoir	1
27	12715A	5/16-24 x 1-3/4" HHCS	9
28	18034	5/8-11 Jam Nut	1
29	18033	Pump Handle	1
30	M19712X	Pump Body	1
31	13777	3/4" Drain Plug	2
32	13778	O-Ring	2

**Spray Advantage**