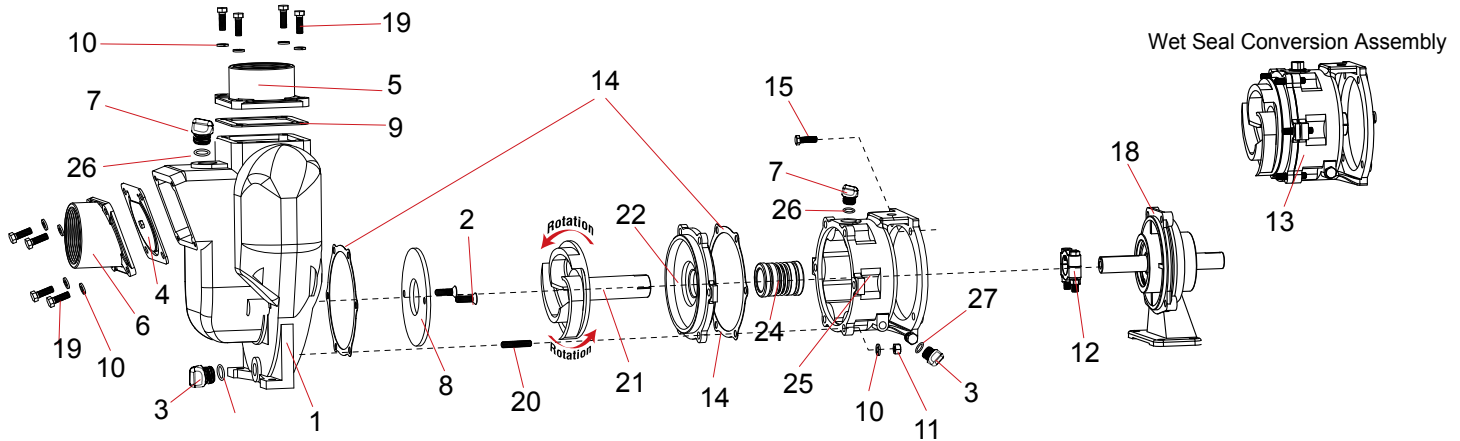




Banjo 3" Cast Iron Pump with Wet Seals



3" CAST IRON WETSEAL PUMPS (NEW STYLE)

ITEM	PART NO	DESCRIPTION	QTY
1	18001	Pump Housing	1
2	18106	Flat Head Socket Cap Screw	2
3	12777	Plug	2
	18013	Inlet/Check EPDM Gasket	1
5	18008	3" Outlet Flange, Threaded	1
	M18008	3" Outlet Flange, Manifold	1
6	18012	3" Inlet Flange, Threaded	1
	M18012	3" Inlet Flange, Manifold	1
7	13777	Plug	2
8	18004	Wear Plate	1
9	18009	EPDM Outlet Gasket	1
10	V20018	3/8" Lock Washer	18
11	V20019	3/8" 16 SS Hex Nut	6
12	18129	Clamp Assembly Keyed	1
13	18200A	Wet Seal Assembly	1

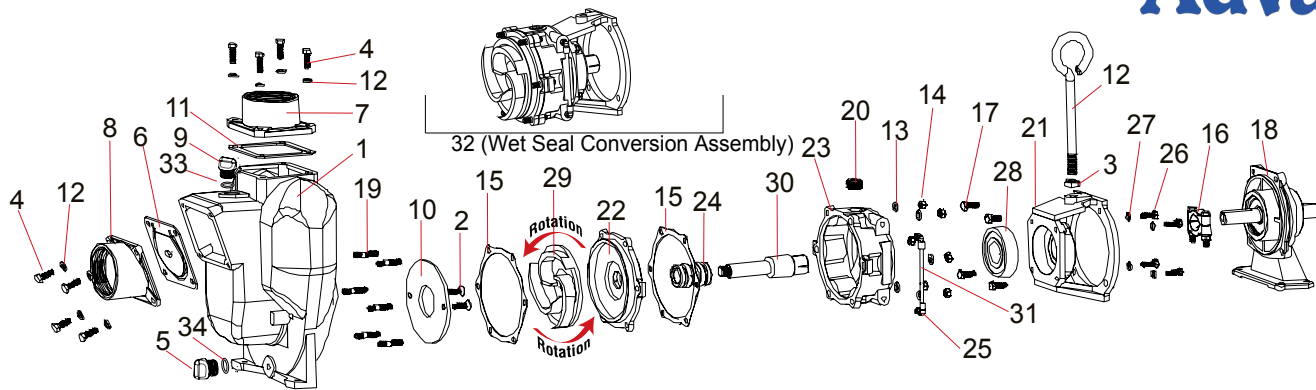
3" CAST IRON WETSEAL PUMPS (NEW STYLE)

ITEM	PART NO	DESCRIPTION	QTY
14	18021	Adapter Gasket	2
15	17704	3/8-16 x 1-1/4" HHCS	4
16	18033	Handle	1
17	18034	5/8-11 Jam Nut	1
18	18500	Bearing Pedestal	1
19	18010SS	3/8-16 x 1-1/8" HHCS	8
20	18218	Pump Housing Stud	6
21	18206	Impeller	1
22	18202A	Cover Plate	1
24	15035E	Mechanical Seal EPDM Std	1
	15035	Mechanical Seal VITON Opt	1
25	18203A	Wet Seal Reservoir	1
26	13778	O-Ring	2
27	UV15163	O-Ring	2

Impeller/Wear Plate Clearance .020 - .040



Place spacer between wear plate and impeller and do not remove until bolted to drive shaft



3" CAST IRON WETSEAL PUMPS (OLD STYLE)

ITEM	PART NO	DESCRIPTION	QTY
1	18001	Pump Housing	1
2	18106	Flat Head Socket Cap Screw	2
3	18034	5/8" -11 Jam Nut	1
4	18010SS	3/8-16 x 1-1/8" HHCS	8
5	12777	Plug	1
6	18013	Inlet/Check EPDM Gasket	1
7	18008	3" Outlet Flange, Threaded	1
	M18008	3" Outlet Flange, Manifold	1
8	18012	3" Inlet Flange, Threaded	1
	M18012	3" Inlet Flange, Manifold	1
9	13777	Plug	1
10	18004	Wear Plate	1
11	18009	EPDM Outlet Gasket	1
12	18033	Handle	1
13	V20018	3/8" Lock Washer	18
14	V20019	3/8" 16 SS Hex Nut	6
15	18021	Adapter Gasket	2
16	18029	Clamp Assembly	1
	18129	Clamp Assembly Keyed	1

3" CAST IRON WETSEAL PUMPS (OLD STYLE)

ITEM	PART NO	DESCRIPTION	QTY
17	17704	3/8-16 x 1-1/4" HHCS	4
18	18500	Bearing Pedestal	1
19	18218	Pump Housing Stud	6
20	18205	3/4" Fill Plug	1
21	18203	Wet Seal Adapter NLA	1
22	18202	Cover Plate	1
23	18201	Reservoir	1
24	17235	FKM (viton type) Seal Assembly	1
25	17211	3/16" Legris Male Elbow	2
26	17040	5/16-24 x 3/4" Bolt	4
27	V10118	5/16" Lock Washer	4
28	18204	Bearing	1
29	18223	Impeller	1
30	18222	Shaft	1
31	17212	Liquid Level Tube	1
32	18200	Wet Seal Assembly Conversion	1
33	13778	O-Ring	2
34	UV15163	O-Ring	2
N/S	18100W	Pump Repair Kit (Consist of 2, 10, 15, 25, 29-32)	