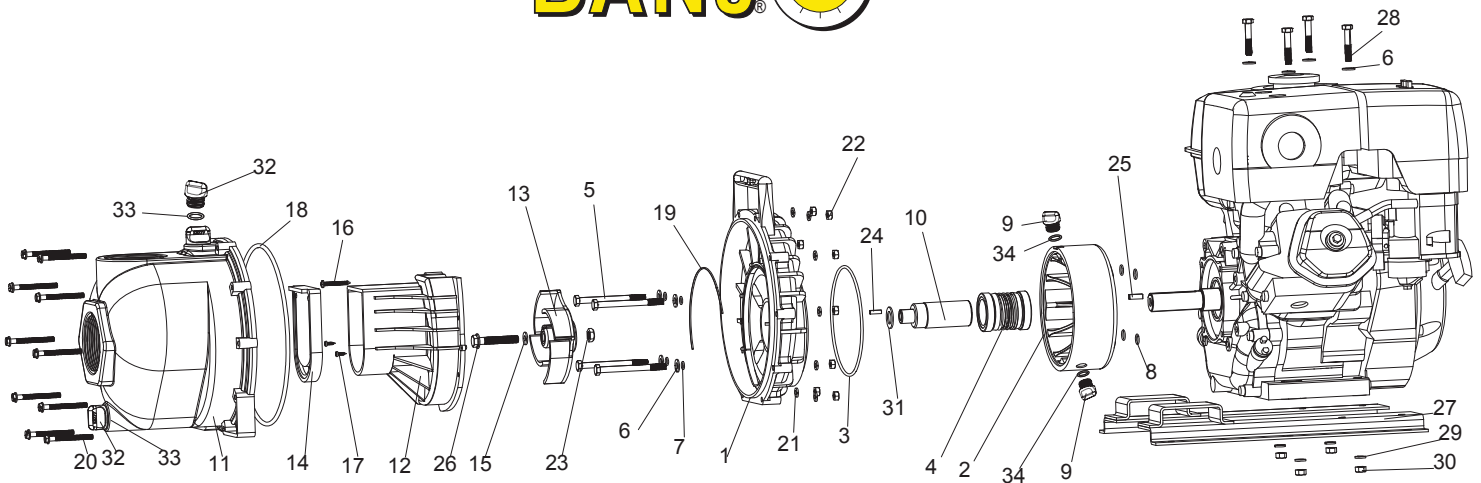


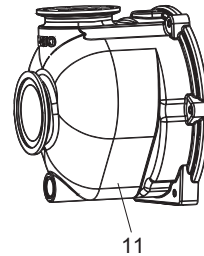
Banjo 3" WET SEAL PUMP



Use 7/16-14 Bolt to Remove Impeller

REPLACEMENT PARTS 3" POLY WET SEAL PUMPS

ITEM	PART NO	DESCRIPTION	QTY
1	12703AW	Wet Seal Bracket	1
2	12201W	Wet Seal Reservoir for 11 HP Honda® Engine & 11 HP Briggs & Stratton® Engine	1
2	12202W	Wet Seal Reservoir for 6 HP Honda® Engine, 6 HP Briggs & Stratton® Engine & Bearing Pedestal	1
3	13719	O-Ring	1
4	15035E	Mechanical Seal EPDM Std.	1
	15035	Mechanical Seal VITON Opt.	1
5	12034	5/16 - 24 x 3-3/4" HHCS	4
6	12901	5/16" Flat Washer	8
7	12717	O-Ring	4
8	12709	O-Ring	4
9	12777	Drain Plug	2
10	13055	Adapter Shaft	1
11	13712	Body Assembly, Threaded 3" NPT	1
	M13712	Body Assembly, Manifold 300	1
12	13702	Volute	1
13	13772	Impeller, 4 Vane 5.02" OD	1
14	12705	Check Valve	1
15	12774VA	Impeller Bolt Gasket	1
16	12900	#10 x 1-1/2" PPH SMS 18-8 SS	1
17	12725	#6 x 1/2" PPH SMS 18-8 SS	1
18	12719A	O-Ring, Body	1
19	12754	O-Ring Segment	1
20	12720	1/4" - 20 x 2 1/2" SI Ind HWHS	10
21	V07018	1/4" Lock Washer	10
22	V07019	1/4" - 20 Hex Nut	10
23	12775A	7/16" -14 Hex Nut	1
24	12902A	3/16" SQ. x 5/8" Key	1
25	16901	1/4" SQ. 3/4" Key Stock	1
26	13766	3/8-24 x 2 1/4" HFS	1
27	18135A	Z-Rail	1
27	18135B	Z-Rail	1
28	17029	5/16-18 x 1.75" HHCS	4
29	V10118	5/16" Lock Washer	4
30	V10119	5/16-18 UNC SS Hexnut	4
31	CV10175	Gasket	1
32	13777	Drain Plug	2
33	13778	O-Ring	2
34	UV15163	O-Ring	2



Spray Advantage