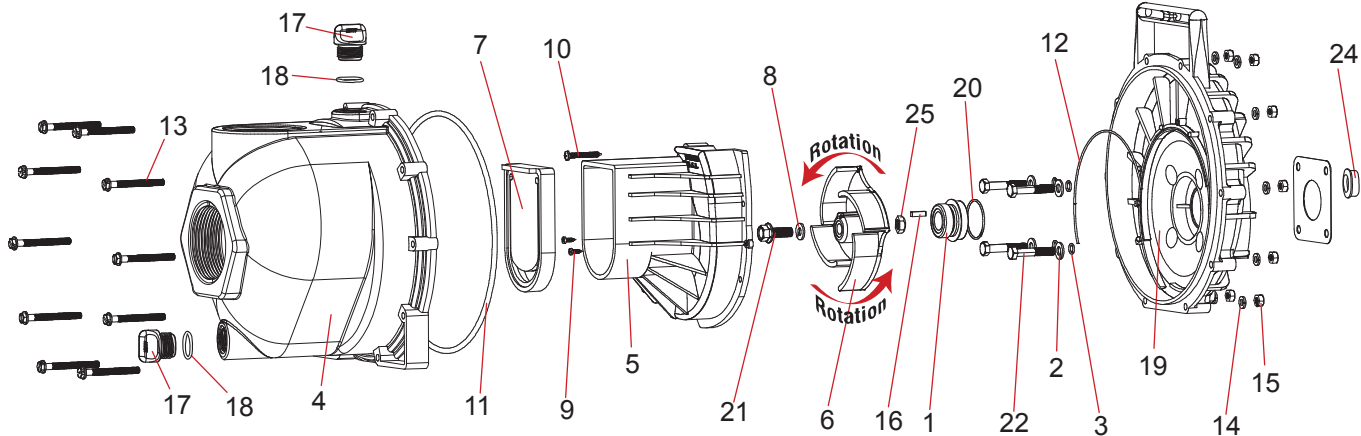
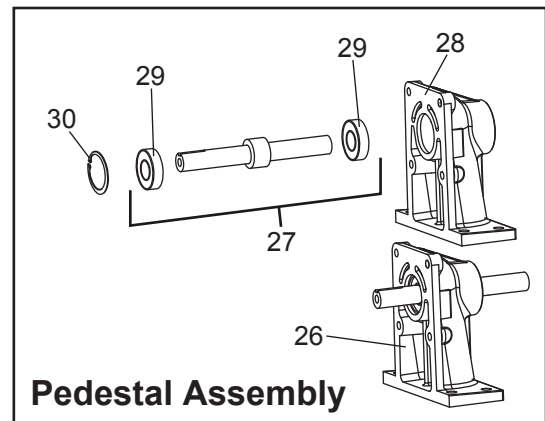


# Banjo 3" Poly Pump Gas and Pedestal

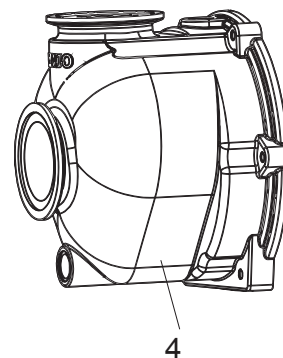


Use 7/16-14 Bolt to Remove Impeller

ITEM	PART NO	DESCRIPTION	QTY
1	12713	Seal Assembly, EPDM	1
	12713V	Seal Assembly, FKM (viton type) w/316 SS Cup & Spring	
2	12901	Washer, SS	4
3	12717	O-Ring, Screw Head EPDM	4
	12717V	O-Ring, Screw Head FKM (viton type)	
4	13712	Body Assembly, Threaded 3" NPT	1
	M13712	Body Assembly, Manifold 300	
5	13702	Volute	1
6	13771	4 Vane Trimmed Impeller (300PH-6, 300PB & 300PO) 4.8" OD	1
	13772	4 Vane Impeller (300P11PRO) 5.02" OD	
7	12705	Check Valve, EPDM	1
	12705V	Check Valve, FKM (viton type)	
8	12774VA	Impeller Bolt Gasket	1
9	12900	SS Upper Volute Screw	4
10	12725	SS Volute Screws	2
11	12719A	Body O-Ring, EPDM	1
	12719AV	Body O-Ring, FKM (viton type)	
12	12754	O-Ring Segment, EPDM	1
	12754V	O-Ring Segment, FKM (viton type)	
13	12720	Screw, Body SS	10
14	V07018	Lock Washer, SS	10
15	V07019	Nut, SS	10
16	12902A	Impeller Key	1
17	13777	Prime/Drain Plug	2
18	13778	O-Ring, Prime/Drain Plug EPDM	2
	13778V	O-Ring, Prime/Drain Plug FKM (viton type)	
19	12703A	Poly Pump Rear Bracket	1
20	12710	O-Ring, Seal Assembly EPDM	1
	12710V	O-Ring, Seal Assembly FKM (viton type)	
21	12765A	SS Impeller Bolt 5/16-24 x 1.12" (300PH-6)	1
	13765	SS Impeller Bolt 3/8-24 x 1.75" (300P11PRO)	
22	12715A	SS Bracket Screws	4
23	15751	Rear Bracket Shim	1
24	12716	Poly Pump Slinger	1
25	12775A	Impeller Hex Nut	1
26	12882A	Bearing Pedestal Assembly	1
27	12883	Bearing Shaft	1
28	12882R	Pedestal	1
29	12883B	Bearing	2
30	12884	Snap Ring	2
N/S	12099	7/16"-14 x 1.25" HHCS	1
N/S	13000	4 Vane Impeller Repair Kit (Items 1, 3, 6-8, 11, 12, 18, 20, 24 & 12099)	1
N/S	13000V	4 Vane Impeller FKM (viton type) Repair Kit (Items 1, 3, 6-8, 11, 12, 18, 20, 24 & 12099)	1
N/S	13999	Pump Seal/O-Ring Kit (Items 1, 3, 8, 11, 12, 18, 20, 24 & 12099)	1
N/S	13999V	FKM(viton type) Pump Seal/O-Ring Kit (Items 1, 3, 8, 11, 12, 18, 20, 24 & 12099)	1



Pedestal Assembly



Spray   
Advantage