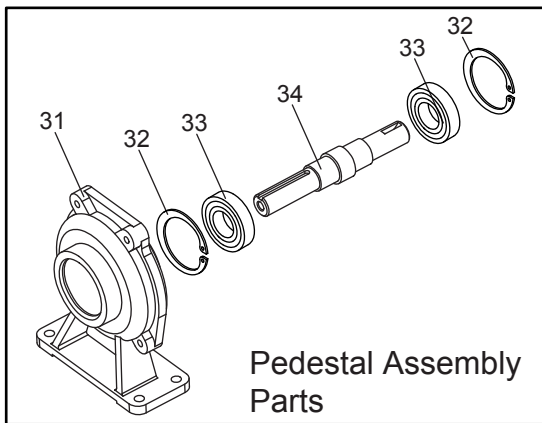
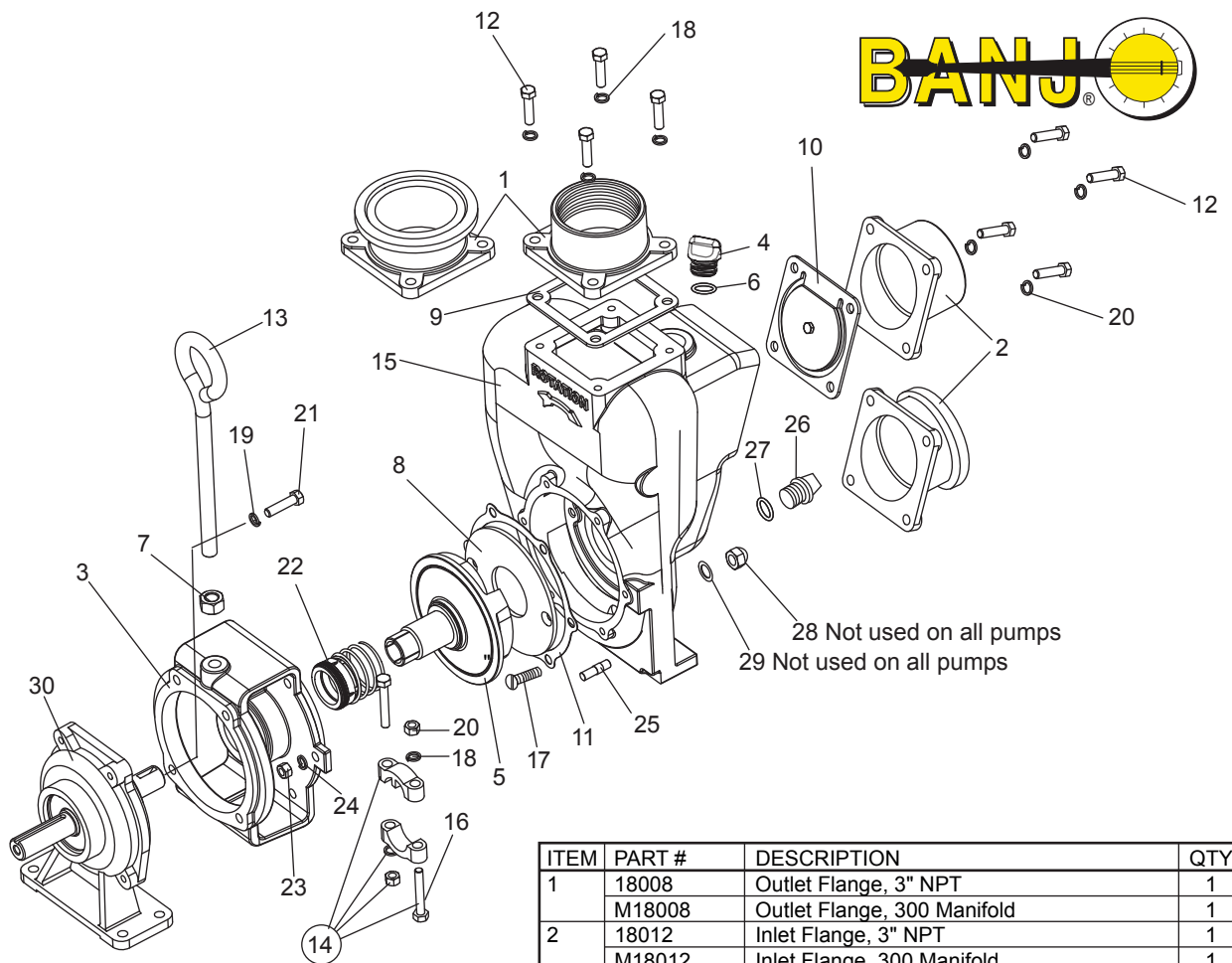


Banjo 3" Cast Iron Pump



3"



ITEM	PART #	DESCRIPTION	QTY
1	18008	Outlet Flange, 3" NPT	1
	M18008	Outlet Flange, 300 Manifold	1
2	18012	Inlet Flange, 3" NPT	1
	M18012	Inlet Flange, 300 Manifold	1
3	18026	Adapter, Gas Engine and Pedestal	1
4	13777	Plug	1
5	18023	1" Impeller & Drive Shaft SS for Gas Engine	1
6	13778	O-Ring	1
7	18034	Jam Nut, SS	1
8	18004	Wear Plate	1
9	18009	Outlet Gasket, EPDM	1
	18044	Outlet Gasket, FKM (viton type)	1
10	18013	Check Valve Assembly, EPDM	1
	18042	Check Valve Assembly, FKM (viton type)	1
11	18021	Gasket	1
12	18010SS	3/8-16 x 1-1/8" SS Cap Screw HXHD	8
13	18033	Handle	1
14	18029	Clamp Assembly (Old Style)	1
	18129	Clamp Assembly (New Style)	1
15	18001	Pump Housing, Cast Iron	1
16	18030	Bolt, 3/8-24 x 2.25" SS	2
17	18106	Flat Head Screw, 3/8-16 x 1.25" SS	2
18	V20018	Lock Washer, 3/8"	8
19	18032	Hex Nut, 3/8-24 SS	2
20	18504	Shaft, 1"	1
21	17704	3/8-16 x 1-1/2" HHCS SS	4
22	18025	Seal Assembly, FKM (viton type)	1
	18025SD	Seal Assembly, Severe Duty	1
23	V20019	Hex Nut, 3/8-16, SS	6
24	V20018	Lock Washer, 3/8", SS	6
25	18218	Stud, 3/8-16 x 1 1/2", SS	6
26	12777	Plug	1
27	UV15163	O-Ring	1
28	18007	Acorn Nut, Stainless Steel	2
29	18005	Seal, Teflon	2
30	18500	Bearing Pedestal Assembly	
31	18501	Pedestal	1
32	18506	Snap Ring	2
33	18502	Bearing	2
34	18504	Shaft	1
N/S	18100	Repair Kit (Consist of items 5, 8, 11, 19 & 25)	1

Spray Advantage