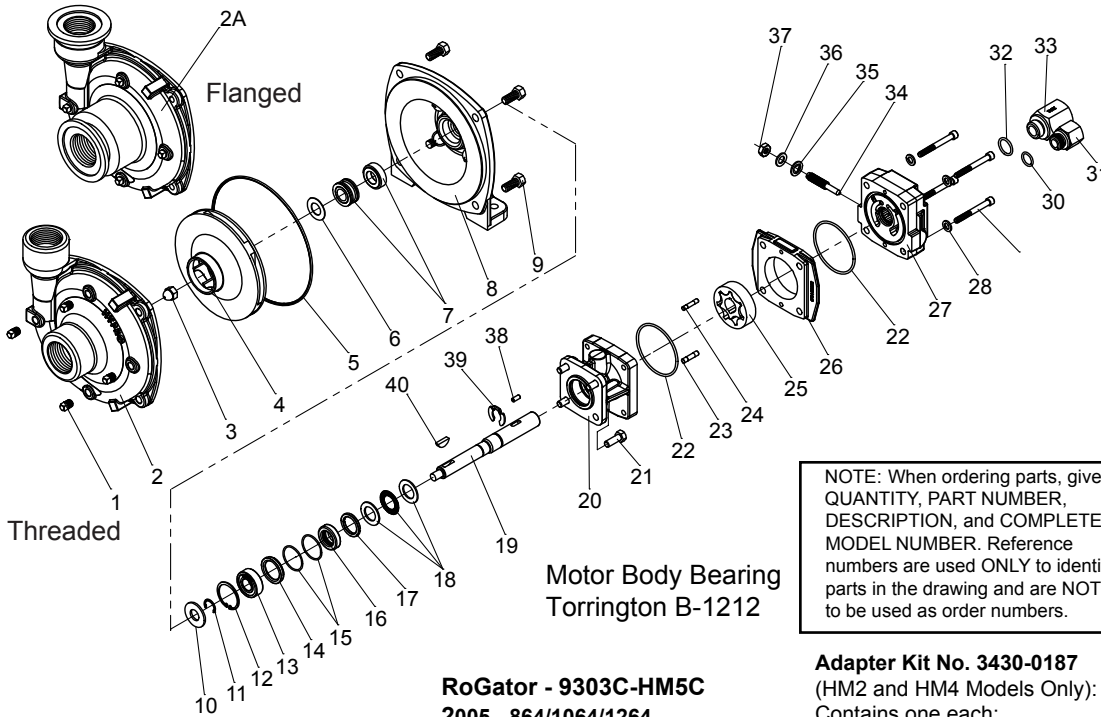


SERIAL # FOR NEW HYDRAULIC SEAL IS HIGHER THEN #18195



Summers
93045 - 9303C-HM1C
93046 - 9303C-HM1C-U

RoGator - 9303C-HM5C
2005 - 864/1064/1264
2005-2007 - 874/1074/1274
2007-2008 - 1286

Silicon Seal Kit No. 3430-0589
 Contains one each:
 1720-0083 o-ring (Ref. 5)
 and one mechanical seal (silicon carbide) (Ref.7).

Repair Parts Kit No. 3430-0332
 Contains: One o-ring (Ref. 5),
 one rubber gasket (Ref. 6),
 and one mechanical seal (Ref. 7).

NOTE: When ordering parts, give QUANTITY, PART NUMBER, DESCRIPTION, and COMPLETE MODEL NUMBER. Reference numbers are used ONLY to identify parts in the drawing and are NOT to be used as order numbers.

Adapter Kit No. 3430-0187
 (HM2 and HM4 Models Only):
 Contains one each:
 No. 3360-0021 Pressure Port Adapter
 No. 3373-0020 (Size #1)
 No. 3373-0021 (Size #2)
 No. 3373-0022 (Size #3).
 No. 1720-0108 Adapter O-ring and
 No. 1720-0105 Orifice O-ring (Qty 3).

Parts Kit No. 3430-0748
 Contains: One each ball bearing (Ref. 13), motor shaft seal (Ref. 16), thread seal gasket (Ref. 35), two cartridge o-rings (Ref. 15) and washer (Ref. 36); two each motor housing o-rings (Ref. 22), and port adapter o-rings (Ref. 30 & 32).

Hydraulic Motor Part Nos.
 2500-0081C (HM1C Models)
 2500-0082C (HM2C Models)
 2500-0083C (HM3C Models)
 2500-0084C (HM4C Models)
 2500-0085C (HM5C Models)

Ref. No.	Qty. Req.	Part No.	Description
1	4	2406-0007	Drain Vent Plug (9303C)
	4	2406-0016	Drain Vent Plug (9303S)
2	1	0150-9200C	Pump Casing (Model 9302C) 1-1/4" x 1"
	1	0156-9200S	Pump Casing (Model 9302S) 1-1/4" x 1"
	1	0150-9000C	Pump Casing (Model 9303C) 1-1/2" x 1-1/4"
	1	0150-9000S	Pump Casing (Model 9303S) 1-1/2" x 1-1/4"
2A	1	0153-9000C	Pump Casing (Universal Flange Model C-U) 220 x 200
3	1	2253-0002	Impeller Nut (9303C)
	1	2253-0006	Impeller Nut (9303S)
4	1	0401-9100P	Impeller (Nylon std. 9303C)
	1	0402-9100P	Impeller (Polypropylene Optional) (Std 9303S)
5	1	1720-0083	O-Ring
6	1	1700-0100	Gasket
7	1	2120-0009	Mechanical Seal (Viton/Ceramic) (Std 9303C)
	1	3430-0589	Mechanical Seal (Silicon Carbide) (Std 9303S) Same as John Deere AN206043
8	1	0750-9300C	Mounting Flange (9303C)
	1	0756-9300S	Mounting Flange (9303S)
9	4	2210-0020	Hex Head Cap Screw (9303C) 3/8" x 7/8"
	4	2210-0125	Hex Head Cap Screw (9303S)
10	1	1410-0056	Slinger Ring
11	1	1810-0014	Snap Ring
12	1	1820-0013	Retaining Ring
13	1	2000-0010	Ball Bearing
14	1	1410-0131	Cartridge, Front
15	2	1720-0268	O-Ring
16	1	2104-0010	Lip Seal
17	1	1410-0130	Seal Spacer
18	1	2029-0014	Thrust Bearing Assembly
19	1	3430-0850	Shaft (HM2C/HM4C) 6-3/4" Long Prev 0531-2500
	1	3430-0852	Shaft (HM1C/HM5C) 7" Long Prev 0533-2500
	1	3430-0855	Shaft (HM3C) 7-1/2" Long Prev 0536-2500
20	1	0150-2500C	Motor Body (includes needle bearing)
21	4	2210-0005	Hex Head Cap Screw

Ref. No.	Qty. Req.	Part No.	Description
22	2	1720-0110	O-Ring
23	1	1600-0045	Dowel Pin (HM2C / HM4C) 7/32"
	1	1600-0044	Dowel Pin (HM1C / HM5C) 7/32"
	1	1600-0052	Dowel Pin (HM3C) 7/32"
24	1	1600-0042	Dowel Pin (HM2C / HM4C) 3/16"
	1	1600-0037	Dowel Pin (HM1C / HM5C) 3/16"
	1	1600-0068	Dowel Pin (HM3C) 3/16"
25	1	3900-0022	Gerotor (HM1C)
	1	3900-0023	Gerotor (HM2C)
	1	3900-0024	Gerotor (HM3C)
	1	3900-0025	Gerotor (HM4C)
	1	3900-0048	Gerotor (HM5C)
26	1	0701-2500C1	Gerotor Housing (HM2C Models) 1/4" wide
	1	0700-2500C1	Gerotor Housing (HM1C Models) 1/2" wide
	1	0703-2500C1	Gerotor Housing (HM4C Models) 5/16" wide
	1	0702-2500C1	Gerotor Housing (HM3C Models) 1" wide
	1	0704-2500C1	Gerotor Housing (HM5C Models) 5/8" wide
27	1	0254-2500C2	Motor End Plate (includes needle bearing)
28	4	2270-0039	Washer
29	4	2220-0045	Cap Screw (HM2C / HM4C Models)
	4	2220-0021	Cap Screw (HM1C Models)
	4	2220-0044	Cap Screw (HM3C Models)
	4	2220-0032	Cap Screw (HM5C Models)
30	1	1720-0108	O-Ring
31	1	3360-0021A	Pressure Port Adapter (includes O-Ring)
32	1	1720-0262	O-Ring
33	1	3320-0051A	Tank Port Adapter (includes O-Ring)
34	1	3220-0029	Bypass Adjusting Screw
35	1	1700-0047	Gasket
36	1	2270-0027	Washer
37	1	2250-0038	Lock Nut
38	1	1610-0032	Roll Pin (HM2C / HM4C)
	1	1610-0031	Roll Pin (HM1C / HM5C)
	1	1610-0055	Roll Pin (HM3C)
39	1	1810-0026	Snap Ring
40	1	1610-0012	Woodruff Key (9303C, 9303C-U, 9303-SP)
	1	1610-0042	Woodruff Key, Stainless Steel (9303S)