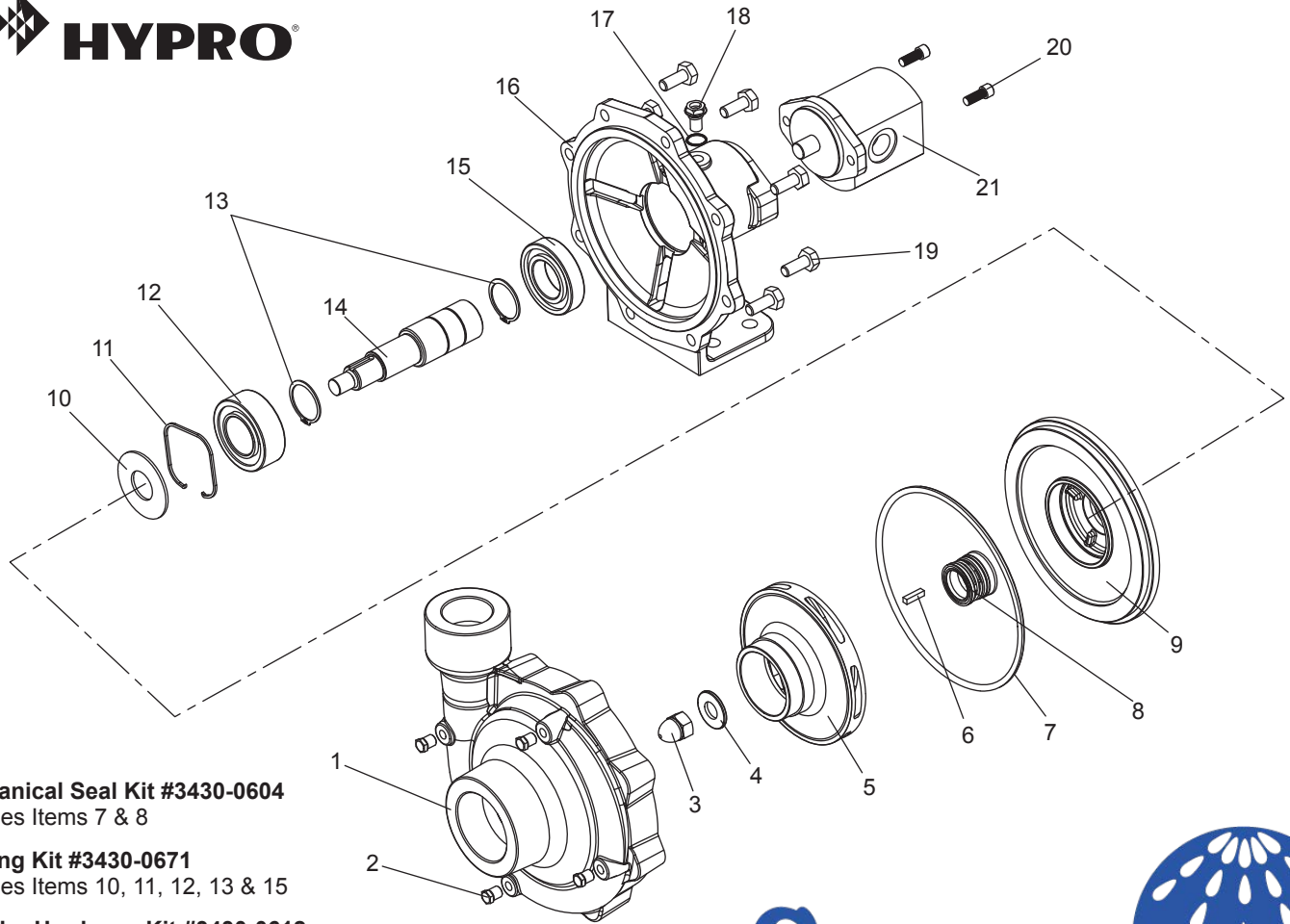


Models 9307C-GM10, 9307C-GM12, 9307C-GM10-U & 9307C-GM12-U



Mechanical Seal Kit #3430-0604

Includes Items 7 & 8

Bearing Kit #3430-0671

Includes Items 10, 11, 12, 13 & 15

Impeller Hardware Kit #3430-0612

Includes Items 3, 4 & 6

Hydraulic Motor Seal Replacement #3430-0611

For seal replacement in Motor #2500-0036 (GM10)

Hydraulic Motor Seal Replacement #3430-0616

For seal replacement in Motor #2500-0046 (GM12)



Ref.	Qty.	Part No.	Description	Ref.	Qty.	Part No.	Description
1*	1	0150-9300C	Pump Casing	11	1	1820-0040	Retaining Ring
1**	1	0151-9300C	Pump Casing (Universal Flange)	12	1	2005-0006	Bearing
2	4	2406-0039	Pipe Plug	13	2	1810-0001	Retaining Ring
3	1	2253-0010	Acorn Nut	14	1	0500-9305	Shaft Assembly
4	1	2270-0094	Washer	15	1	2007-0063	Ball Bearing
5	1	0400-9300S	Impeller	16	1	0757-9300C	Mounting Flange
6	1	1610-0058	Key	17	1	1720-0209	O-Ring
7	1	1721-0208	O-Ring	18	1	2300-0040	Plug
8	1	2120-0043	Mechanical Seal	19	8	2210-0131	Bolt
9	1	0755-9300C	Seal Flange	20	2	2210-0026	Bolt
10	1	2270-0093	Slinger	21	1	2500-0036	Hydraulic Motor (GM10)
				21	1	2500-0046	Hydraulic Motor (GM12)

*Includes a Stainless Steel Wear Ring and 4 Pipe Plugs (Ref. No. 2)

**Used in -U "Universal Flange" models, includes Stainless Steel Wear Ring and 4 Pipe Plugs (Ref. No. 2)