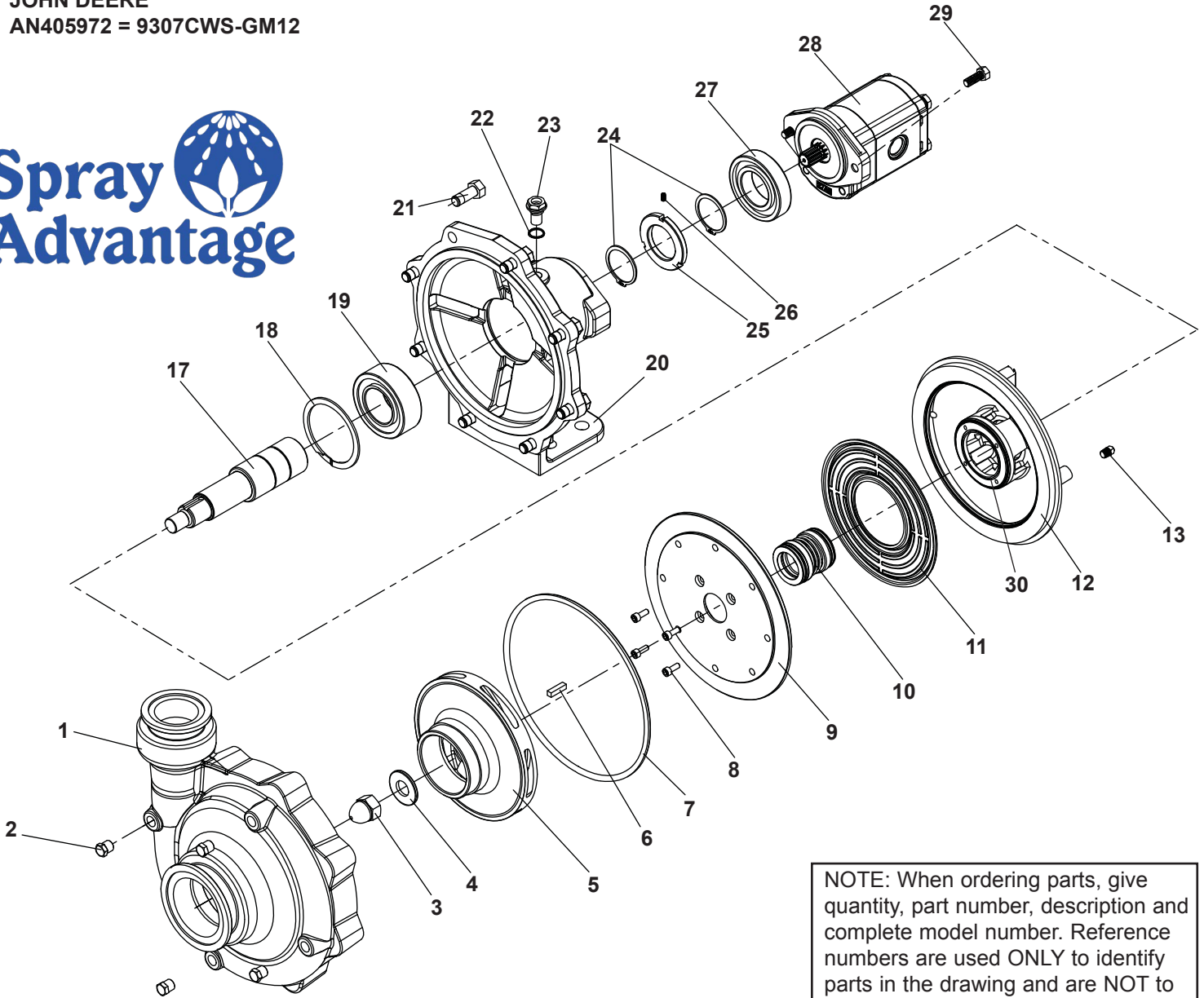


Model 9307CWS-GM12 Parts Illustration



JOHN DEERE
AN405972 = 9307CWS-GM12



NOTE: When ordering parts, give quantity, part number, description and complete model number. Reference numbers are used ONLY to identify parts in the drawing and are NOT to be used as order numbers.

Impeller Hardware Kit #3430-0612: Includes Items 3, 4 & 6

Hydraulic Motor Seal Replacement #3430-0616: For seal replacement in Motor #2500-0123 (GM12)

Repair Kit #3430-0813: Includes Items 7, 10, 11, 19, 27, 30 and (parts not shown) #1410-0134 Wear ring, #2160-0096 Wet seal fluid, #3010-0252 Tool-mech. seal, and #3010-0253 Tool-front plate.

Ref. No.	Qty. Req'd.	Part Number	Description
1	1	0151-9300C	Pump Casing (Universal Flange)
2	4	2406-0039	Pipe Plug
3	1	2253-0010	Acorn Nut
4	1	2270-0094	Washer
5	1	0401-9307S	Impeller
6	1	1610-0058	Key
7	1	1721-0208	O-ring
8	4	2220-0124	Screw
9	1	0751-9307	Front Chamber Plate
10	1	2120-0061	Mechanical Seal
11	1	2535-0012	Membrane
12	1	0752-9307A	Back Chamber Plate
13	2	2406-0016	Pipe Plug

Ref. No.	Qty. Req'd.	Part Number	Description
17	1	0502-9307	Shaft Assembly
18	1	1820-0040	Retaining Ring
19	1	2005-0006	Bearing (dual-layer)
20	1	0757-9300C	Mounting Flange
21	8	2210-0131	Bolt
22	1	1720-0209	O-ring
23	1	2300-0040	Plug
24	2	1810-0001	Retaining Ring
25	1	1420-0031	Tone Wheel
26	1	2230-0047	Set Screw
27	1	2007-0063	Bearing
28	1	2500-0123	Hydraulic Motor
29	2	2210-0026	Bolt
30	1	1721-0228	O-ring