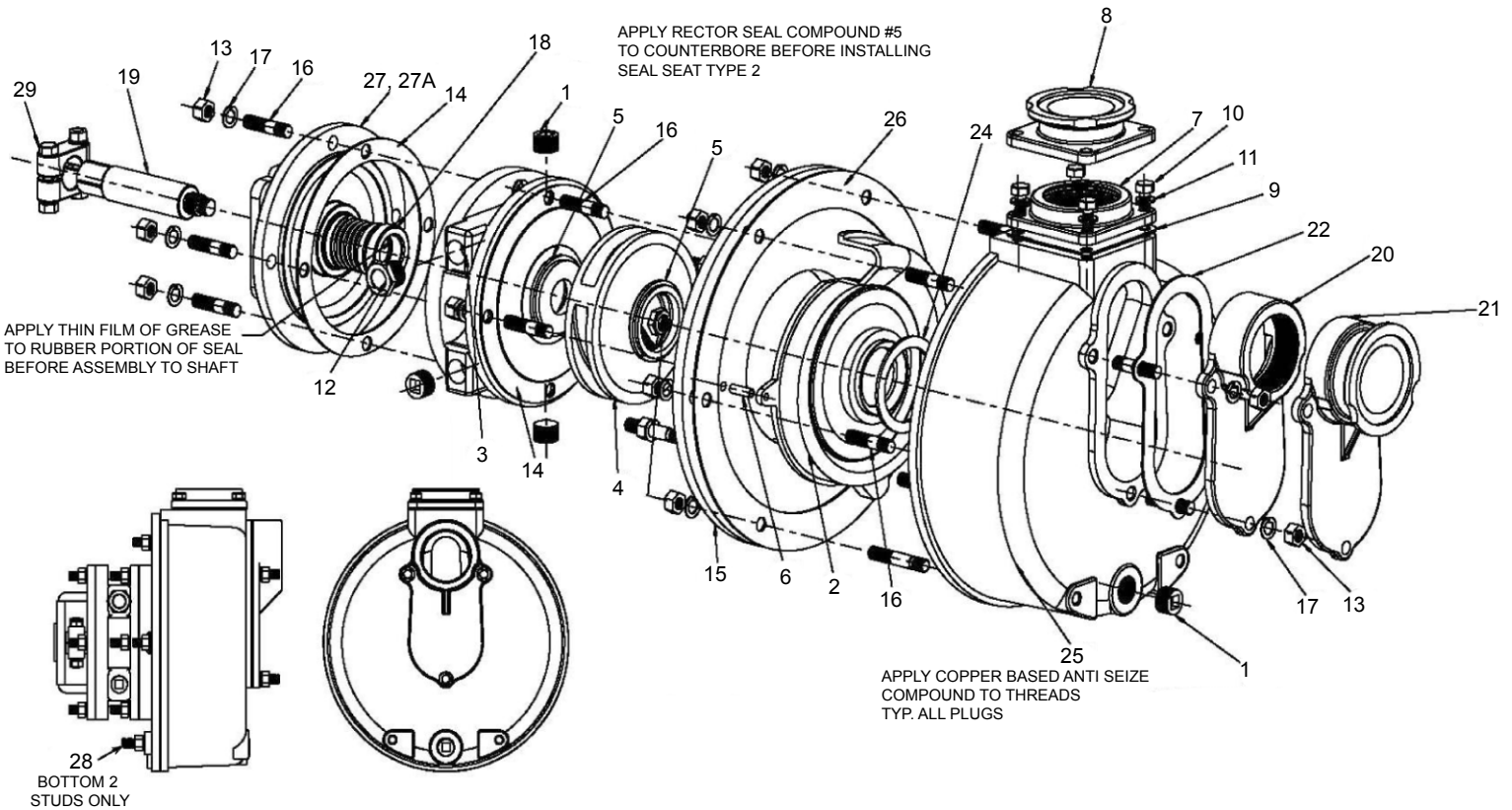


SP-3220 (2" SELF-PRIMING)



ITEM	QTY.	PART NO.	DESCRIPTION
1	4	95019	Plug, 1/2" NPT
2	1	102039-01	Scroll Plate
3	1	102040-01	Reservoir
4	1	102041-01	Impeller
5 *	2	106460-01	Wear Ring, Teflon
6	2	L-4135	Roll Pin, 1/4" X 3/4" S.S.
7	1	S-3551	Flange, 2" FPT (Optional 1-1/2" NPT Outlet S3402)
8	1	S-3551-FLG	Flange, 2" Discharge Manifold 220
9 *	1	S-3552	Gasket
10	4	S-3553	Bolt, 5/16"-18 x 1" S. S.
11	4	S-3554	Lockwasher, 5/16" S. S.
12	1	S-3555	View Window
13	17	S-3557	Nut, 3/8" S.S.
14 *	2	S-3558	Gasket
15	1	S-3559	Housing Cover
16	15	S-3561	Stud, 3/8" x 1-5/8" S.S.
17	17	S-3562	Lockwasher, 3/8" S.S.
18 *	1	S-3565-V	Mech, Double Seal
	1	S-3565-VC	Mech, Double Seal (Optional Carbide Seal)
19	1	S-3568	Shaft
20	1	S-3569	Flange, 2" Suction F.P.T.
21	1	S-3569-FL	Flange, 2" Manifold 220
22 *	1	S-3570	Gasket
23	1	S-3572	Nut
24 *	1	S-3577	Gasket
25	1	S-3580	Housing
26 *	1	S-3581	Gasket
27	1	S-3556	Adapter, Gas Engine & Pedestal
28	2	S-3597	Stud, 3/8" x 2" S.S.
29	1	S-3607S	Clamp Assembly 2" S.S.
29A	-	S-3609	Adapter, Electric Motor

Spray Advantage

*** 103276
Repair Kit, Gaskets and Seal**