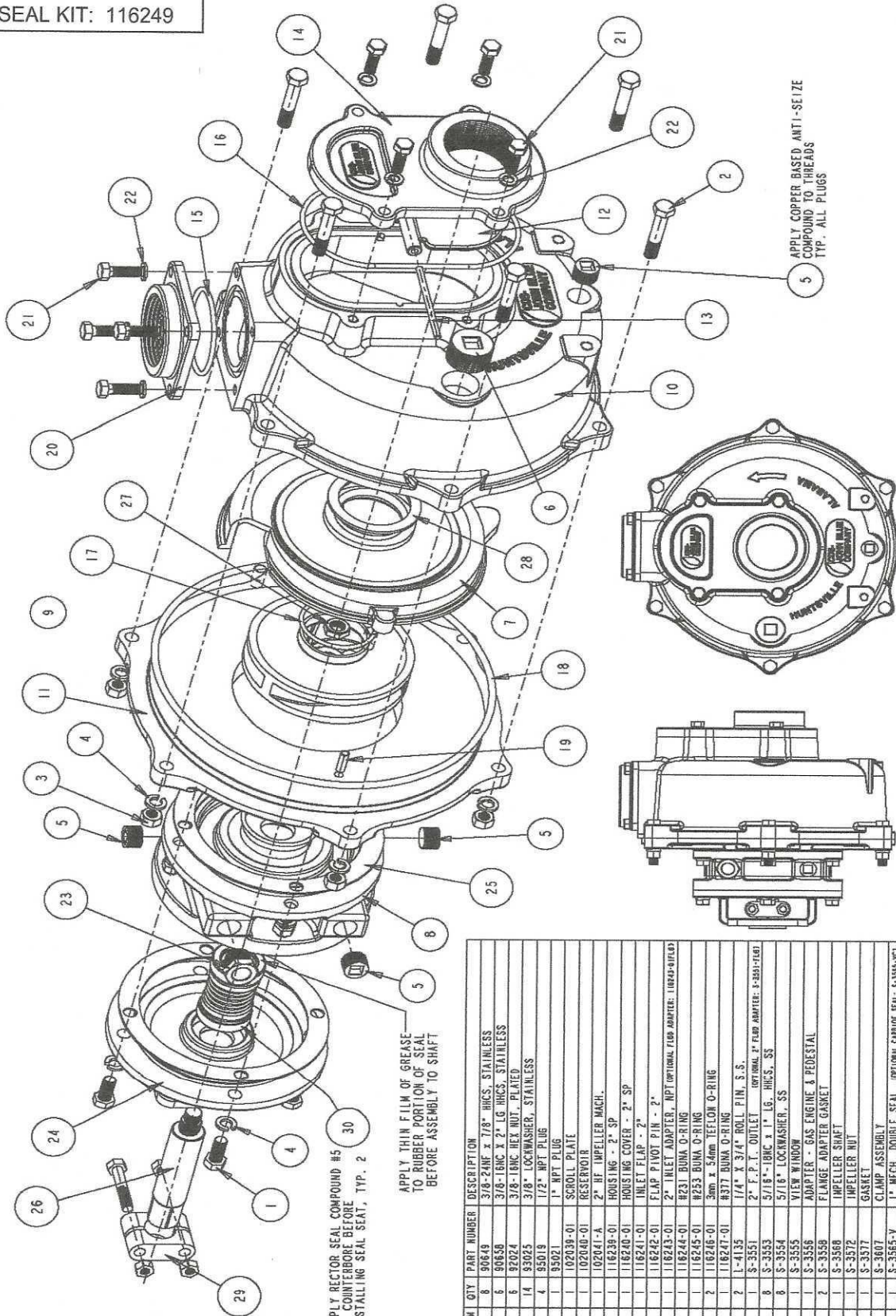


# PARTS LISTING: SP-3240 (2" SELF-PRIMING)

GASKET AND SEAL KIT: 116249



APPLY RECTOR SEAL COMPOUND #5 TO COUNTERBORE BEFORE INSTALLING SEAL SEAT, TYP. 2

APPLY THIN FILM OF GREASE TO RUBBER PORTION OF SEAL BEFORE ASSEMBLY TO SHAFT

APPLY COPPER BASED ANTI-SEIZE COMPOUND TO THREADS TYP. ALL PLUGS

ITEM	QTY	PART NUMBER	DESCRIPTION
1	8	90649	3/8-24HX x 7/8" HGCS, STAINLESS
2	6	90658	3/8-18NC x 2" LG HGCS, STAINLESS
3	6	92024	3/8-18NC HEX NUT, PLATED
4	14	93025	3/8" LOCKWASHER, STAINLESS
5	4	95019	1/2" NPT PLUG
6	1	95021	1" NPT PLUG
7	1	102039-01	SCROLL PLATE
8	1	102009-01	RESERVOIR
9	1	102041-A	2" HF IMPELLER MACH.
10	1	116239-01	HOUSING COVER - 2" SP
11	1	116240-01	HOUSING COVER - 2" SP
12	1	116241-01	INLET FLAP - 2"
13	1	116242-01	2" INLET ADAPTER, NPT OPTIONAL FLOW ADAPTER: 116242-R100L
14	1	116243-01	2" INLET ADAPTER, NPT OPTIONAL FLOW ADAPTER: 116243-R100L
15	1	116244-01	#231 Buna O-RING
16	1	116245-01	#253 Buna O-RING
17	2	116246-01	3mm x 30mm Teflon O-RING
18	1	116247-01	#377 Buna O-RING
19	2	1-4135	1/4" x 3/4" ROLL PIN, S.S.
20	1	S-3551	2" F. P. OUTLET OPT. FLOW: 2" FLOW ADAPTER: S-3551-F100
21	8	S-3553	5/16"-18NC x 1" LG. HGCS, SS
22	8	S-3554	5/16" LOCKWASHER, SS
23	1	S-3555	VIEW WINDOW
24	1	S-3556	ADAPTER - GAS ENGINE & PEDESTAL
25	2	S-3558	FLANGE ADAPTER GASKET
26	1	S-3559	IMPELLER SHAFT
27	1	S-3572	IMPELLER NUT
28	1	S-3577	GASKET
29	1	S-3607	CLAMP ASSEMBLY
30	1	S-3565-Y	1" MECH. DOUBLE SEAL, OPTIONAL CARBIDE SEAL: S-3565-YC1
24-E	-	S-3609	ADAPTER - ELECTRIC MOTOR

ITEM 429 - OPTIONAL, 1-1/2" NPT INLET; S-3602